



Technical Data

Multi Stage Pump - GARS-DD 65/05

Revision no.

Page:

1

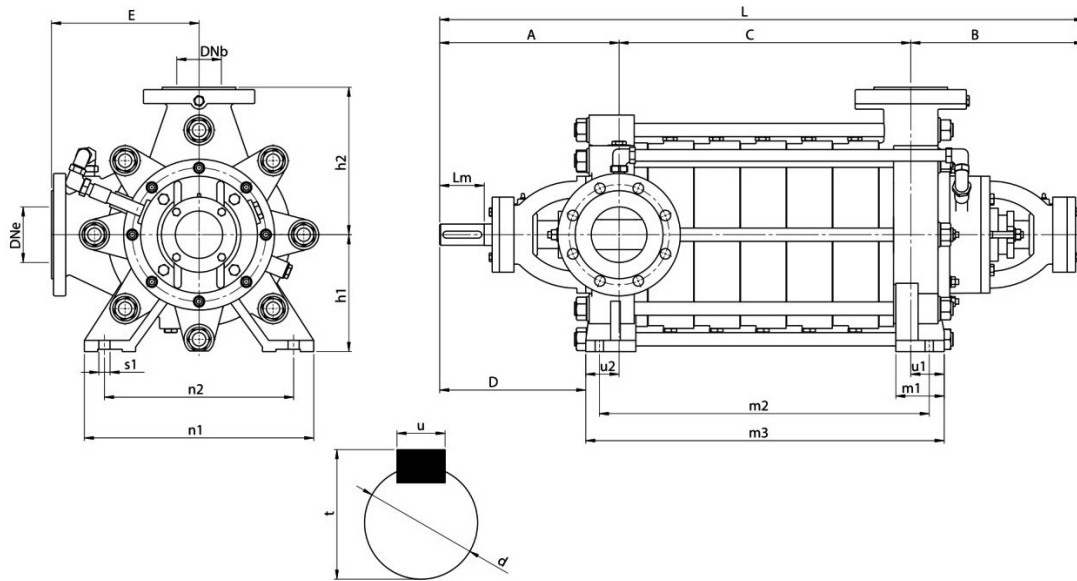
Receiver

From

 Company name
 Respons. Department
 Person in charge
 Phone number
 Fax no
 E-mail address



Brand: Gol Pumps
Model: GARS-DD 65/05

Dimensions:


Inlet and Outlet Flange	
DNe	DNb
3	2.5

Shaft Dimensions (inch)			
d	Lm	t	u
1.3	2.6	1.4	0.4

Pump Installation Size (inch)														
A	B	D	E	L	h1	h2	u1	u2	m1	m2	m3	n1	n2	s1
10.7	10.6	5.9	8.5	C+21.3	7.1	8.5	7.7	4.7	2.4	C+10.6	C+12.4	11.8	9.5	0.6

"C" Dimensions by Stage (inch)																
2	3	4	5	6	7	8	9	10	11	12	13	14	15	16	17	
-	-	-	15.5	18.3	21.1	23.9	26.7	29.4	32.2	-	-	-	-	-	-	

Project	Project ID	Created by	Created on	Last update
---------	------------	------------	------------	-------------



Performance Curves

Multi Stage Pump - GARS-DD 65/05

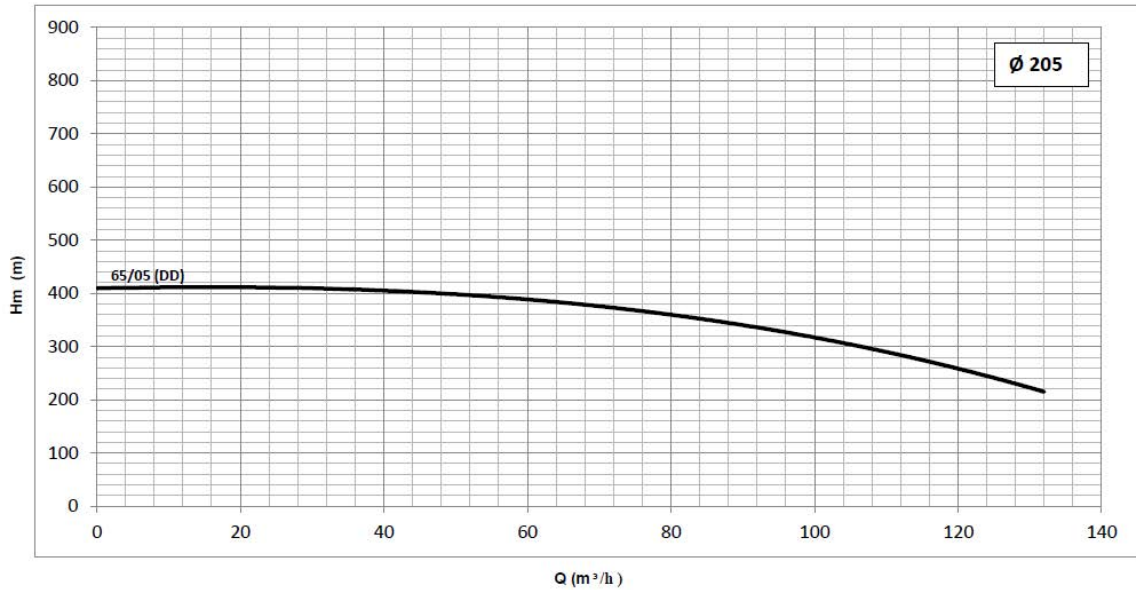
Revision no. _____

Page:
2

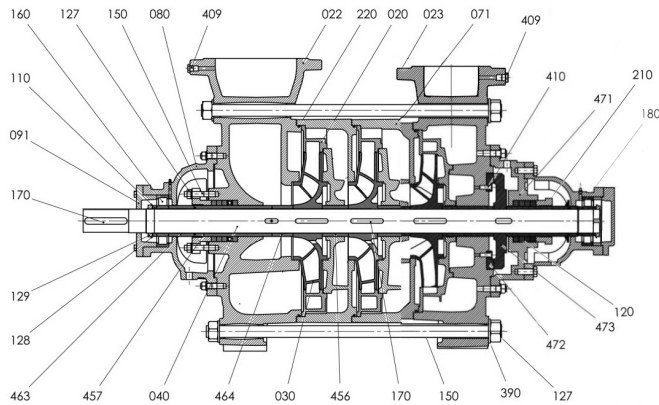
	Receiver	From
Company name		
Respons. Department		
Person in charge		
Phone number		
Fax no		
E-mail address		

Pump (GGG40)		Motor	(PN 40)		EFF(0.70%)	Q 205	Power			
Type	Quantity Impeller	hp	DNe	DNb	Safe Motor Power (hp)	rpm	Head (ft)		Gal/m	
GARS-DD 65/05	5	102	3	2.5	170	3600	Max.	1361.5	Min.	88.1
		149.6	3	2.5		3600	Rate	1099.1	Rate	378.6
		170	3	2.5		3600	Min.	705.4	Max.	581.2

ARS-DD 65-05 (3600RPM)



Parts List:



Diffuser	020	Pin	170
Suction Body	022	Ring	180
Discharge Body	023	Connection Support	210
Impeller	030	O-Ring	220
Shaft	040	Washer	390
Stage Body	071	Bolt	409
Bearing Housing	080	Impeller Stage Sleeve	456
Bearing Cover (Coupling)	091	Seal Sleeve (Suction)	457
Bearing Setting Sleeve	110	Seal Sleeve (Discharge)	458
Flushing Ring	120	Setting Sleeve (Suction & Discharge)	463
Nut	127	Impeller Setting Sleeve	464
Protection Sheet	128	Bolt	410
Nut	129	Disc Body	471
Casing Tiebolt	150	Disc (Stable)	472
Bearing	160	Disc	473

Project	Project ID	Created by	Created on	Last update
---------	------------	------------	------------	-------------