



# Technical Data

## Multi Stage Pump - GARS-DD 65/07

Revision no.

 Page:  
1

Receiver

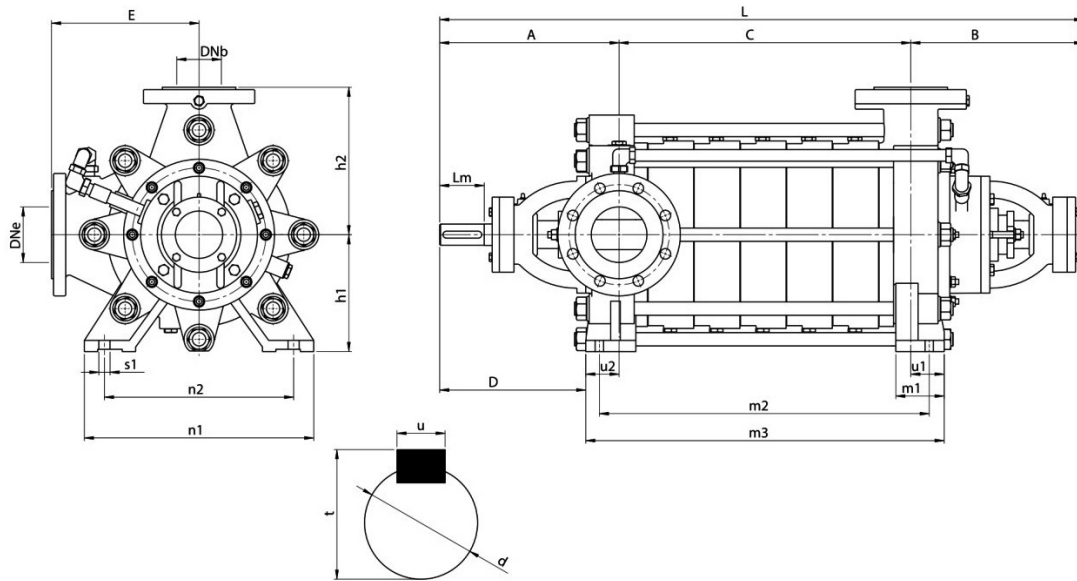
From

 Company name  
 Respons. Department  
 Person in charge  
 Phone number  
 Fax no  
 E-mail address




**Brand: Gol Pumps**  
**Model: GARS-DD 65/07**

### Dimensions:



Inlet and Outlet Flange	
DNe	DNb
3	2.5

Shaft Dimensions (inch)			
d	Lm	t	u
1.3	2.6	1.4	0.4

Pump Installation Size (inch)														
A	B	D	E	L	h1	h2	u1	u2	m1	m2	m3	n1	n2	s1
10.7	10.6	5.9	8.5	C+21.3	7.1	8.5	7.7	4.7	2.4	C+10.6	C+12.4	11.8	9.5	0.6

"C" Dimensions by Stage (inch)																
2	3	4	5	6	7	8	9	10	11	12	13	14	15	16	17	
-	-	-	15.5	18.3	21.1	23.9	26.7	29.4	32.2	-	-	-	-	-	-	

Project

Project ID

Created by

Created on

Last update



# Performance Curves

## Multi Stage Pump - GARS-DD 65/07

Revision no.

Page:

2

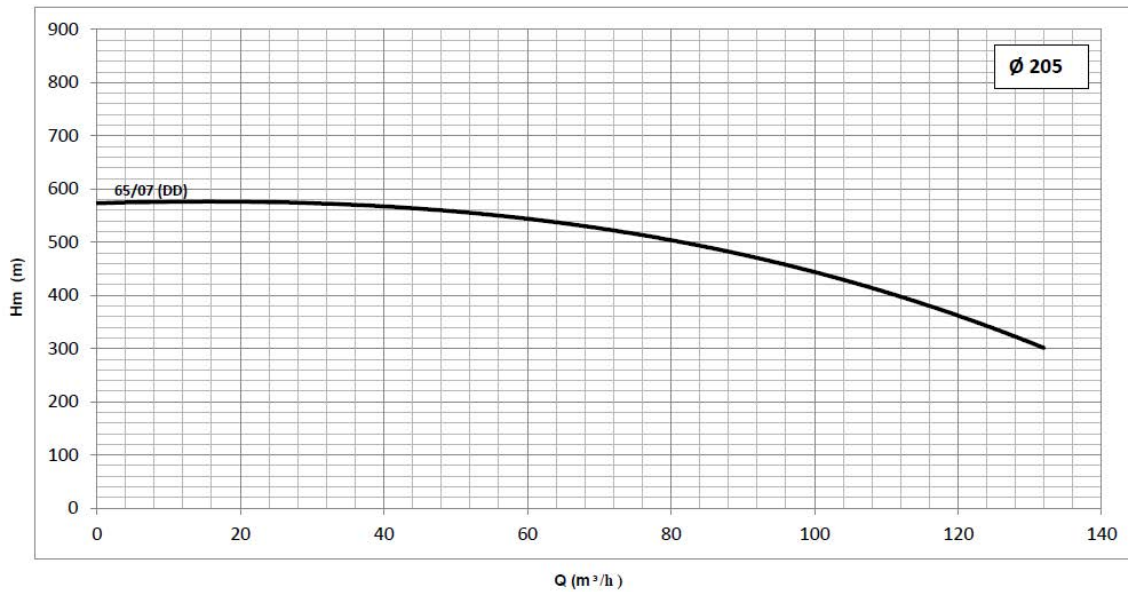
Receiver

From

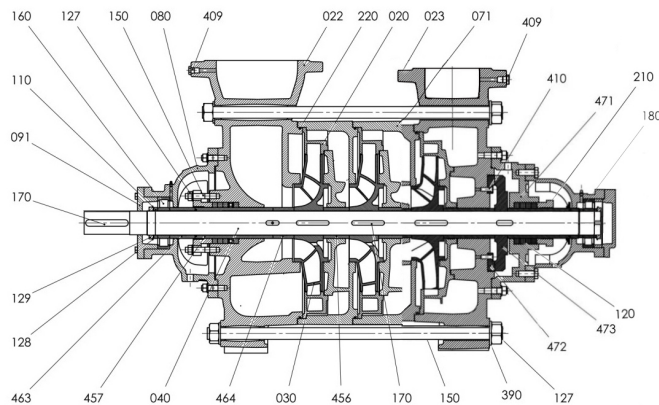
 Company name  
 Respons. Department  
 Person in charge  
 Phone number  
 Fax no  
 E-mail address

Pump (GGG40)		Motor	(PN 40)		EFF(0.70%)	Q 205	Power			
Type	Quantity Impeller	hp	DNe	DNb	Safe Motor Power (hp)	rpm	Head (ft)		Gal/m	
GARS-DD 65/07	7	142.8	3	2.5	250	3600	Max.	1902.9	Min.	88.1
		209.4	3	2.5		3600	Rate	1542	Rate	378.6
		237.9	3	2.5		3600	Min.	984.3	Max.	581.2

## ARS-DD 65-07 (3600RPM)



### Parts List:



Diffuser	020	Pin	170
Suction Body	022	Ring	180
Discharge Body	023	Connection Support	210
Impeller	030	O-Ring	220
Shaft	040	Washer	390
Stage Body	071	Bolt	409
Bearing Housing	080	Impeller Stage Sleeve	456
Bearing Cover (Coupling)	091	Seal Sleeve (Suction)	457
Bearing Setting Sleeve	110	Seal Sleeve (Discharge)	458
Flushing Ring	120	Setting Sleeve (Suction & Discharge)	463
Nut	127	Impeller Setting Sleeve	464
Protection Sheet	128	Bolt	410
Nut	129	Disc Body	471
Casing Tiebolt	150	Disc (Stable)	472
Bearing	160	Disc	473

Project

Project ID

Created by

Created on

Last update