



# Technical Data

## Multi Stage Pump - GARS-KC 50/08

Revision no.

Page:  
1

Receiver

From

Company name  
Respons. Department  
Person in charge  
Phone number  
Fax no  
E-mail address

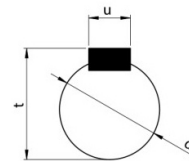
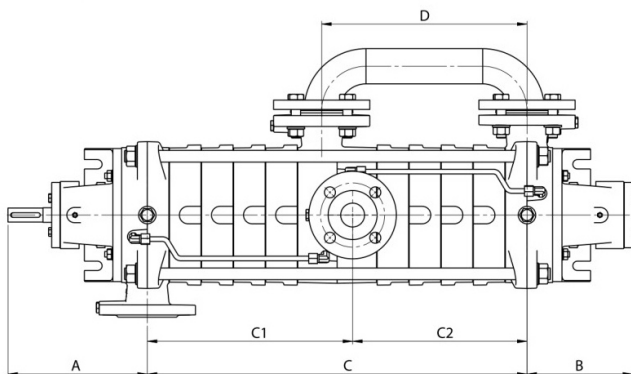
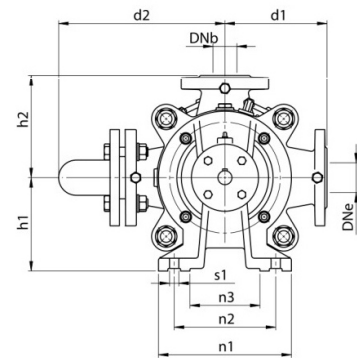
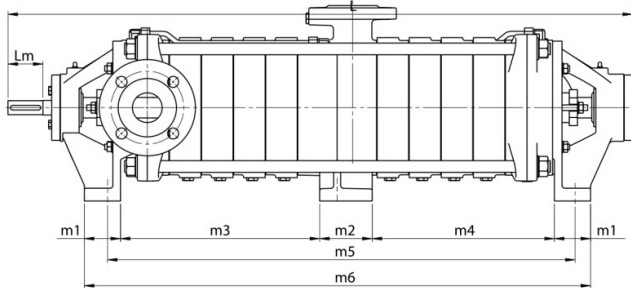
|  |  |
|--|--|
|  |  |
|  |  |
|  |  |
|  |  |
|  |  |

|  |  |
|--|--|
|  |  |
|  |  |
|  |  |
|  |  |
|  |  |



**Brand: Gol Pumps**  
**Model: GARS-KC 50/08**

**Dimensions:**



| Inlet and Outlet Flange |     |
|-------------------------|-----|
| DNe                     | DNb |
| 2.5                     | 2   |

| Shaft Dimensions (inch) |     |     |     |
|-------------------------|-----|-----|-----|
| d                       | Lm  | t   | u   |
| 1.1                     | 2.6 | 1.2 | 0.3 |

| Pump Installation Size (inch) |     |      |     |      |      |      |      |    |     |     |      |     |     |      |
|-------------------------------|-----|------|-----|------|------|------|------|----|-----|-----|------|-----|-----|------|
| A                             | B   | D    | d1  | d2   | L    | C1   | C2   | C  | h1  | h2  | H    | m1  | m2  | m3   |
| 10                            | 7.5 | 13.1 | 7.5 | 12.9 | 41.5 | 10.8 | 10.8 | 24 | 6.3 | 7.5 | 13.8 | 2.4 | 3.9 | 12.9 |

| Pump Installation Size (inch) |      |      |    |     |     |     |
|-------------------------------|------|------|----|-----|-----|-----|
| m4                            | m5   | m6   | n1 | n2  | n3  | s1  |
| 11.3                          | 31.1 | 32.8 | 10 | 7.8 | 5.5 | 0.6 |

|         |            |            |            |             |
|---------|------------|------------|------------|-------------|
| Project | Project ID | Created by | Created on | Last update |
|---------|------------|------------|------------|-------------|



# Performance Curves

## Multi Stage Pump - GARS-KC 50/08

Revision no.

 Page:  
2

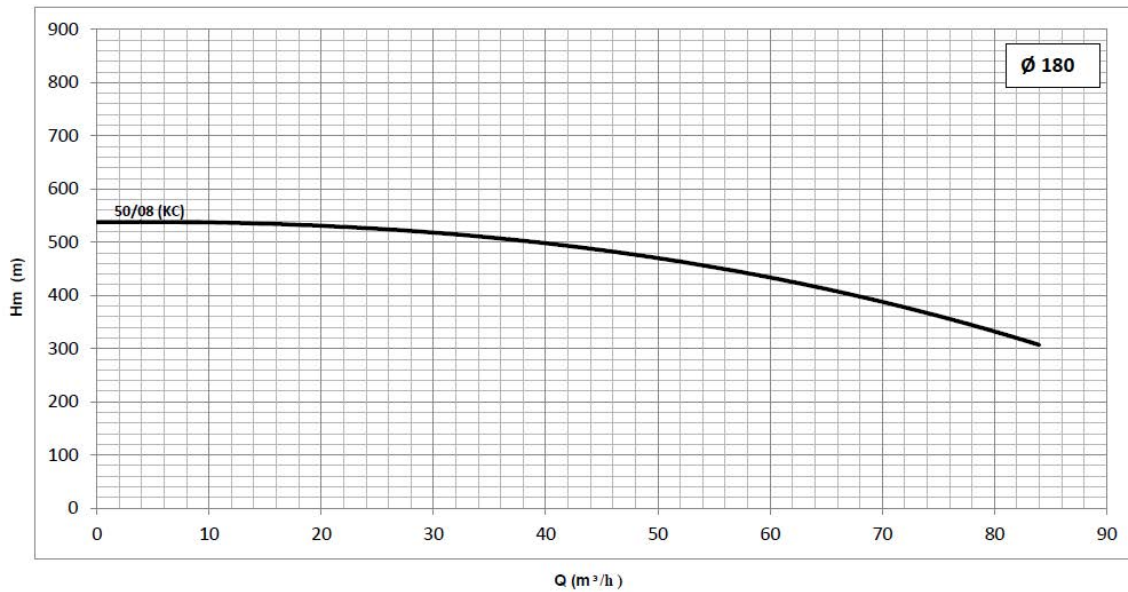
Receiver

From

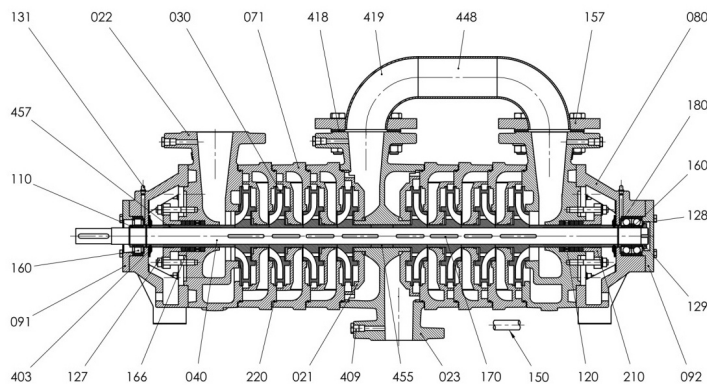
 Company name  
 Respons. Department  
 Person in charge  
 Phone number  
 Fax no  
 E-mail address

| Pump (GGG40)  |                   | Motor | (PN 40) |     | EFF(0.70%)            | Q 180 | Power     |        |       |       |
|---------------|-------------------|-------|---------|-----|-----------------------|-------|-----------|--------|-------|-------|
| Type          | Quantity Impeller | hp    | DNe     | DNb | Safe Motor Power (hp) | rpm   | Head (ft) |        | Gal/m |       |
| GARS-KC 50/08 | 8                 | 92.5  | 2.5     | 2   | 160                   | 3600  | Max.      | 1738.8 | Min.  | 44    |
|               |                   | 136   | 2.5     | 2   |                       | 3600  | Rate      | 1427.2 | Rate  | 264.2 |
|               |                   | 157.7 | 2.5     | 2   |                       | 3600  | Min.      | 1000.7 | Max.  | 369.8 |

## ARS-KC 50-08 (3600RPM)



### Parts List:



|                          |     |                            |     |
|--------------------------|-----|----------------------------|-----|
| Discharge Diffuser       | 021 | Casing Tiebolt             | 150 |
| Suction Body             | 022 | Flange                     | 157 |
| Discharge Body           | 023 | Bearing                    | 160 |
| Impeller                 | 030 | Soft Packing               | 166 |
| Shaft                    | 040 | Pin                        | 170 |
| Stage Body               | 071 | Ring                       | 180 |
| Bearing Housing          | 080 | Connection Support         | 210 |
| Bearing Cover (Coupling) | 091 | O-Ring                     | 220 |
| Bearing Cover (Outside)  | 092 | Throw Protection           | 403 |
| Bearing Setting Sleeve   | 110 | Bolt                       | 409 |
| Flushing Ring            | 120 | Flange Gasket              | 418 |
| Nut                      | 127 | Elbow                      | 419 |
| Protection Sheet         | 128 | Connection Pipe            | 448 |
| Nut                      | 129 | Discharge Centering Sleeve | 455 |
| Grease Nipple            | 131 | Seal Sleeve (Suction)      | 457 |

Project

Project ID

Created by

Created on

Last update