



# Technical Data

## Multi Stage Pump - GARS-U 50/05

Revision no.

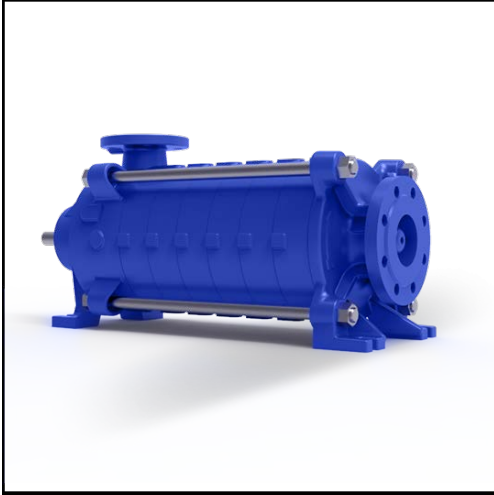
 Page:  
1

Receiver

From

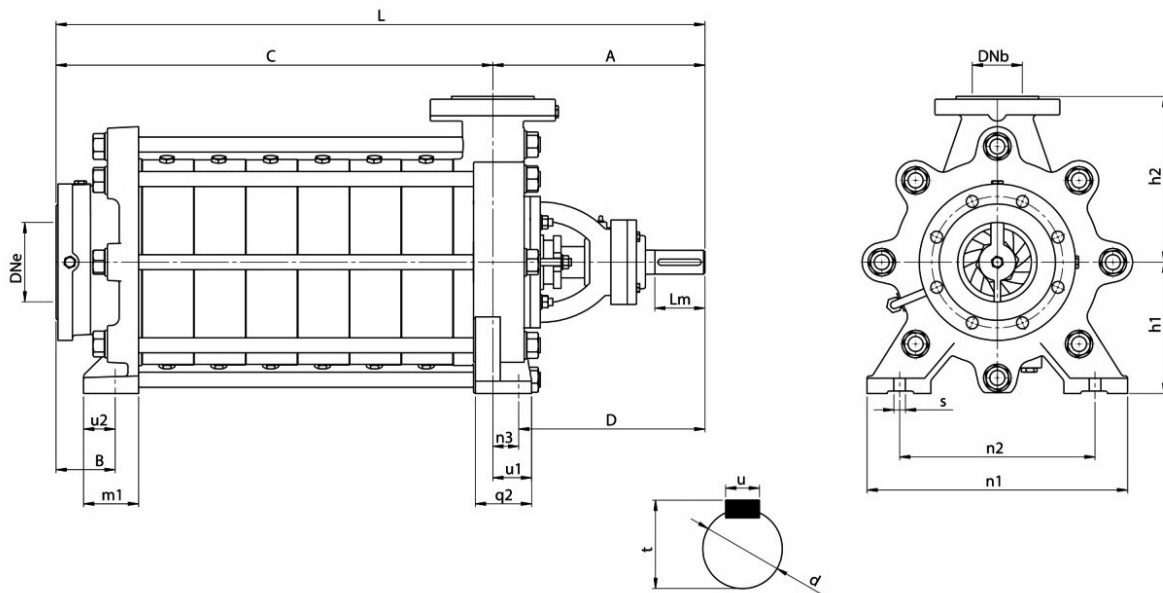
 Company name  
 Respons. Department  
 Person in charge  
 Phone number  
 Fax no  
 E-mail address

--	--



**Brand: Gol Pumps**  
**Model: GARS-U 50/05**

### Dimensions:



Inlet and Outlet Flange	
DNe	DNb
3	2

Shaft Dimensions (inch)			
d	Lm	t	u
1.1	2.6	1.2	0.3

Pump Installation Size (inch)												
A	B	D	L	h1	h2	q2	u1	u2	m1	n1	n2	s
10.2	1.1	6.4	C+10.2	6.3	7.5	2.4	4.6	0.9	3.4	10.2	8	0.6

"C" Dimensions by Stage (inch)											
2	3	4	5	6	7	8	9	10	11	12	13
8.3	10.8	13.2	15.7	18.1	20.6	23	25.4	27.9	30.3	32.8	-

Project	Project ID	Created by	Created on	Last update
---------	------------	------------	------------	-------------



# Performance Curves

## Multi Stage Pump - GARS-U 50/05

Revision no.

Page:  
2

Receiver

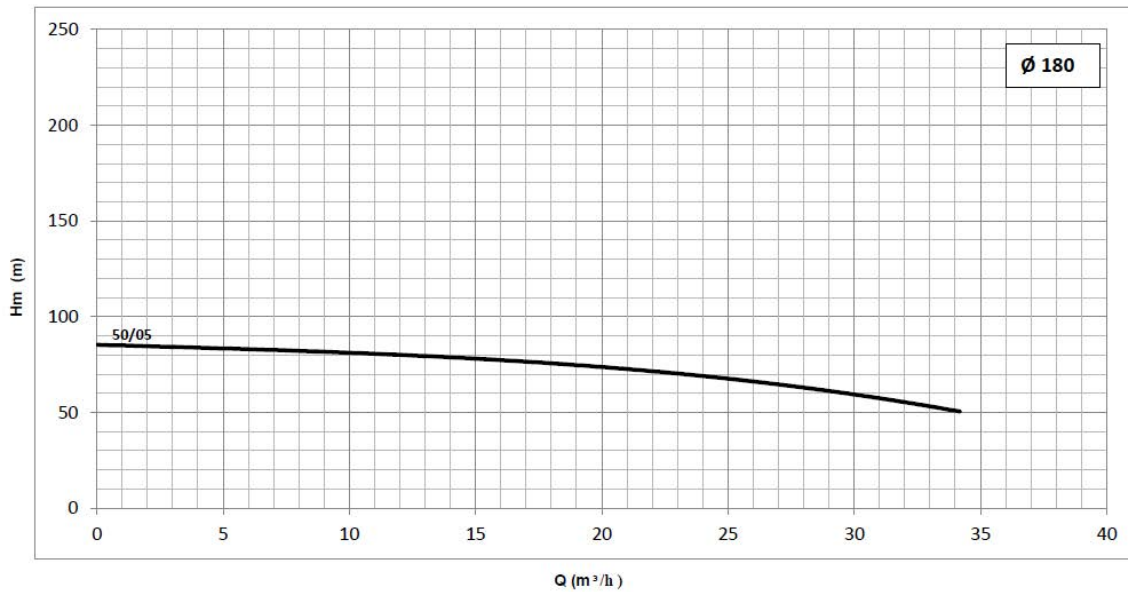
From

Company name  
Respons. Department  
Person in charge  
Phone number  
Fax no  
E-mail address

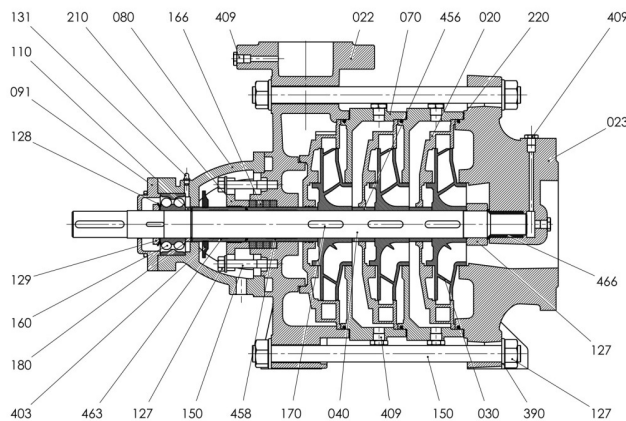


Pump (GGG40)		Motor	(PN 40)		EFF(0.68%)	Q 180	Power			
Type	Quantity Impeller	hp	DNe	DNb	Safe Motor Power (hp)	rpm	Head (ft)		Gal/m	
GARS-U 50/05	5	6	3	2	10	1800	Max.	272.3	Min.	22
		9.2	3	2		1800	Rate	223.1	Rate	110.1
		10.5	3	2		1800	Min.	167.3	Max.	149.7

## ARS-U 50-05 (1800RPM)



**Parts List:**



Diffuser	020	Bearing	160
Suction Body	023	Soft Packing	166
Discharge Body	022	Pin	170
Impeller	030	Ring	180
Shaft	040	Connection Support	210
Stage Body	070	O-Ring	220
Bearing Housing	080	Washer	390
Bearing Cover (Coupling)	091	Throw Protection	403
Bearing Setting Sleeve	110	Bolt	409
Nut	127	Impeller Stage Sleeve	456
Protection Sheet	128	Seal Sleeve (Discharge)	458
Nut	129	Setting Sleeve (Suction & Discharge)	463
Grease Nipple	131	Suction Housing	466
Casing Tiebolt	150		

Project	Project ID	Created by	Created on	Last update