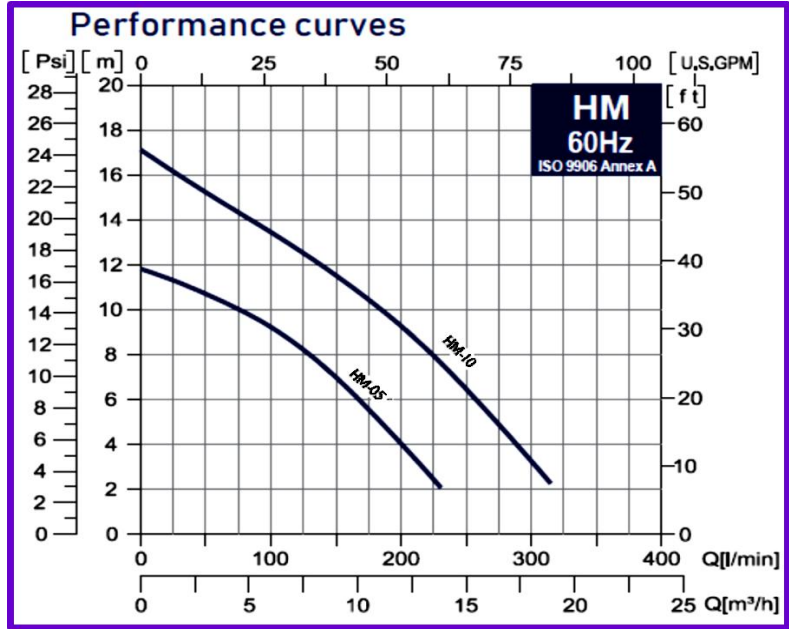


### Pump Data

Brand :	Gol Pump		
Model :	GHM - 10 MA 50		
Head Rate: 33 FEET	Flow Rate:	48 GPM	
Head Max: 57 FEET	Flow Max:	84 GPM	
Head Min: 6 FEET	Flow Min :	5 GPM	
RPM :	3450 rpm		
Normal Power P1 :	1 HP		
Fluid:	Water		
Fluid Temperature:	at about 25 °C.		
Density:	water 997 kg/m <sup>3</sup>		
Fluid Viscosity:	8.90 × 10 <sup>-4</sup> Pa·s		
With Float switch	NONE		
Self Priming	Submersible		
Delivery size	2" NPT		
Suction size	With Strainer		
Made in :	TAIWAN		



### Motor Data

Power P2:	*		
Power P1:	0.75 KW		
Phase (PH):	1		
Rate Voltage :	220 V		
Capacitor Need :	20	µF	
Ferequency :	60 Hz		
Rated Speed (rpm):	3450 rpm		
Current (A):	5.4 A		
Cos φ :	0.95		
Degree of Protection (IP):	IP 68		
Safety Protection Included:	F		
length of Cable :	10 M		
Kind of Plug :	*		
Ambient Temp :	40°C = 104°F		

### Other Pump Data

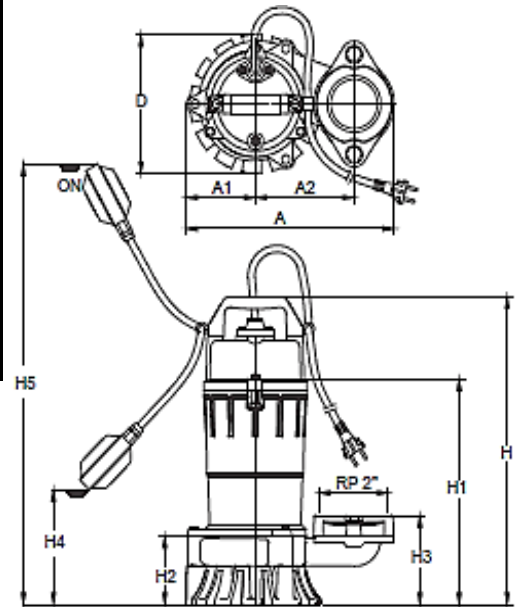
Impeller Size (mm) :	*		
Pressuer Rating :	PN 16		
Min. Fluid Temp :	0°C = 0°F		
Max. Fluid Temp :	40°C = 104°F		
Ambient Temp :	40°C = 104°F		
Humidity % :	100%		

### Special Specification

Installation status :	Ver		
Variable frequency :	NONE		
Solid Passage	10 mm		

### Materials

Pump Body :	ADC 12		
Support:	FC 200		
Impeller	FC 25		
Mechanical Seal:	CA/CE * Sic/Sic		
Rubber	NBR 70		
Pump Shaft:	AISI 410		
Strainer	PVC		
outer cover:	Plastic		
Motor:	Stainless steel		



### Shaft Seal

Type:	*		
Stationary Part	AISI 410		
Rotating Part	AISI 410		
Elastomer	NBR 70		

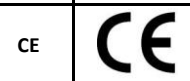
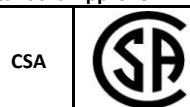
### Pump and Motor specification optional

With Booster System	None		
With Complack	None		
Special Material	None		
Speccail Voltage	None		

### Protection system required

External Flout switch	YES		
Minimum Starter	Starter SWT		

Weight : 15.1 Kg  
Standard Approve



Applicant:

- Basement Water Removal , Waste Water
- Drainage , Water Transfer Sump / Effluent
- Handling , Dewatering , Fish Pond Fountain
- Circulation , Sewage Handling Factory
- Waste Water Handling

Dimention in  
mm

A	285
A1	95
A2	135
D	180
H	380
H1	279
H2	90
H3	116
H4	130
H5	550