

#### Pump Data

Brand : Gol Pump  
 Model : GHM - 10 MA 80

Head Rate: 33 FEET      Flow Rate: 48 GPM  
 Head Max: 57 FEET      Flow Max: 84 GPM  
 Head Min: 6 FEET      Flow Min : 5 GPM

RPM : 3450 rpm  
 Normal Power P1 : 1 HP  
 Fluid: Water  
 Fluid Temperature: at about 25 °C  
 Density: water 997 kg/m³  
 Fluid Viscosity: 8.90 × 10<sup>-4</sup> Pa·s  
 With Float switch : \*  
 Self Priming : Submersible  
 Delivery size : 3" NPT  
 Suction size : With Strainer  
 Made in : TAIWAN

#### Motor Data

Power P2: \*  
 Power P1: 0.75 KW  
 Phase (PH): 1  
 Rate Voltage : 220 V  
 Capacitor Need : 20      μF  
 Ferequency : 60 Hz  
 Rated Speed (rpm): 3450 rpm  
 Current (A): 5.4 A  
 Cos φ : 0.95  
 Degree of Protection (IP): IP 68  
 Safety Protection Included: F  
 length of Cable : 10 M  
 Kind of Plug : \*  
 Ambient Temp : 40°C = 104°F

#### Other Pump Data

Impeller Size (mm) : \*  
 Pressuer Rating : PN 16  
 Min. Fluid Temp : 0°C = 0°F  
 Max. Fluid Temp : 40°C = 104°F  
 Ambient Temp : 40°C = 104°F  
 Humidity % : 100%

#### Special Specification

Installation status : Ver  
 Variable frequency : NONE  
 Solid Passage : 10 mm

#### Materials

Pump Body : ADC 12  
 Support: FC 200  
 Impeller : FC 25  
 Mechanical Seal: CA/CE \* Sic/Sic  
 Rubber : NBR 70  
 Pump Shaft: AISI 410  
 Strainer : PVC  
 outer cover: Plastic  
 Motor: Stainless steel

#### Shaft Seal

Type: \*  
 Stationary Part : AISI 410  
 Rotating Part : AISI 410  
 Elastomer : NBR 70

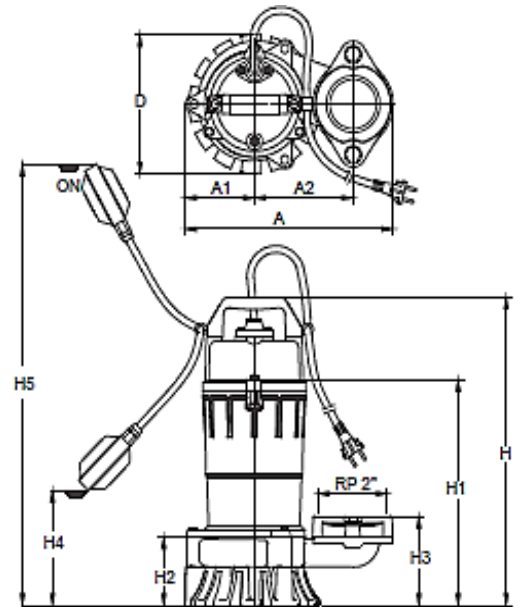
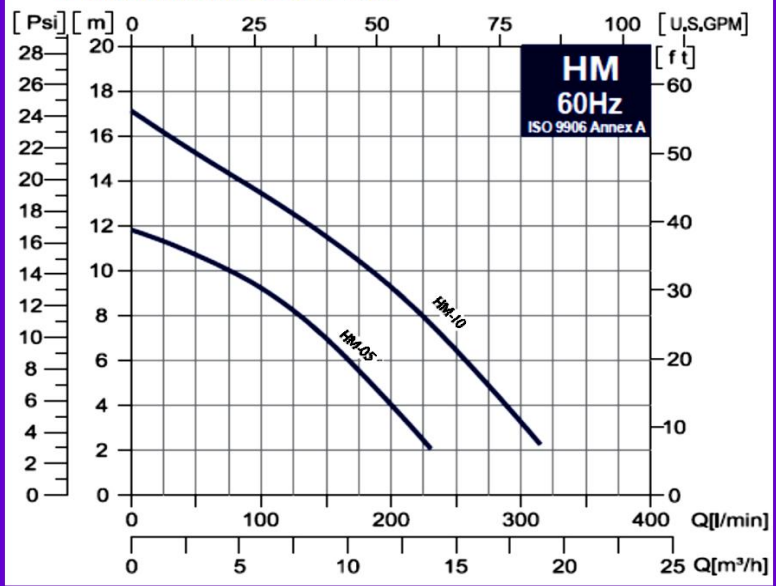
#### Pump and Motor specification optional

With Booster System : None  
 With Complack : None  
 Special Material : None  
 Specail Voltage : None

#### Protection system required

External Flout switch : YES  
 Minimum Starter : Starter SWT

#### Performance curves



Weight : 15.1 Kg

Standard Approve

CSA



UL



CE



Applicant:

Basement Water Removal , Waste Water

Drainage , Water Transfer Sump / Effluent

Handling , Dewatering , Fish Pond Fountain

Circulation , Sewage Handling Factory

Waste Water Handling

Dimention in mm

A	285
A1	95
A2	135
D	180
H	380
H1	279
H2	90
H3	116
H4	130
H5	550