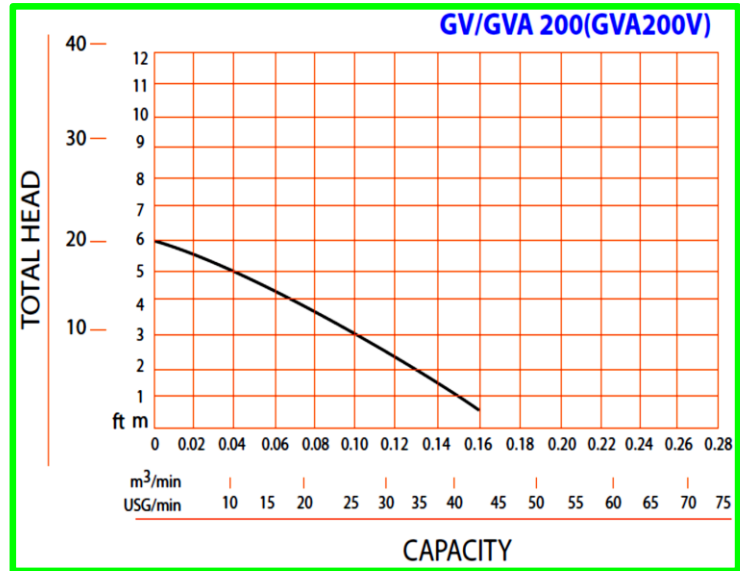


#### Pump Data

Brand :	Gol Pump	
Model :	GV / GVA - 200 V	
Head Rate :	13 FEET	Flow Rate: 18 GPM
Head Max:	20 FEET	Flow Max: 42 GPM
Head Min:	1 FEET	Flow Min : 5 GPM
RPM :	3550	
Normal Power P1 :	0.26 HP	
Fluid:	Water	
Fluid Temperature:	at about 25 °C	
Density:	water 997 kg/m <sup>3</sup>	
Fluid Viscosity:	8.90 × 10 <sup>-4</sup> Pa-s	
With Float switch	NONE	
Self Priming	Submersible	
Delivery size	1 1/4" NPT	
Suction size	With Strainer	
Made in :	TAIWAN	



#### Motor Data

Power P2:	*	
Power P1:	0.2 KW	
Phase (PH):	1	
Rate Voltage :	220 V	
Capacitor Need :	*	µF
Ferequency :	60 Hz	
Rated Speed (rpm):	3550 rpm	
Current (A):	0.5 A	
Cos φ :	0.95	
Degree of Protection (IP):	IP 68	
Safety Protection Included:	*	
length of Cable :	0.75 × 4	mm2×m
Kind of Plug :	NONE	
Ambient Temp :	40°C = 104°F	

#### Other Pump Data

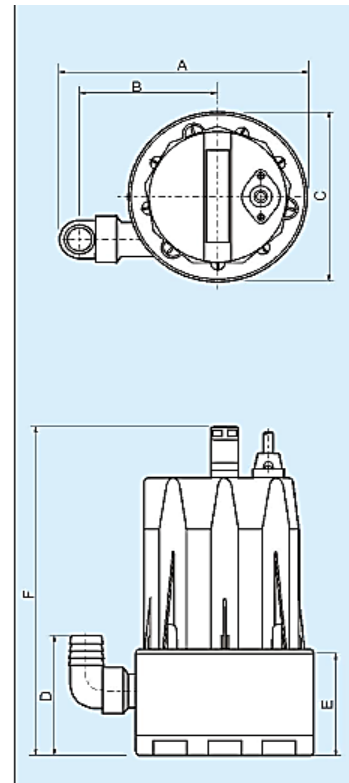
Impeller Size (mm) :	*	
Pressuer Rating :	PN 16	
Min. Fluid Temp :	10°C = 50°F	
Max. Fluid Temp :	40°C = 104°F	
Ambient Temp :	40°C = 104°F	
Humidity % :	100%	

#### Special Specification

Installation status :	Ver	
Variable frequency :	NONE	
Solid Passage	40 × 15	mm

#### Materials

Pump Body :	Plastic	
Support:	Plastic	
Impeller	Plastic	
Mechanical Seal:	Ceramic - Carbon	
Rubber	Synthetic	
Pump Shaft:	Stainless steel	
Strainer	Plastic	
outer cover:	Plastic	
Motor:	Stainless steel	



#### Shaft Seal

Type:	*	
Stationary Part	Ceramic	
Rotating Part	Carbon	
Elastomer	NBR	

Weight :5 Kg  
Standard Approve



Applicant:

Lifting Sewage Water  
from Cesspools Transfer  
Clean or Slightly Dirty Water  
from The Well or  
The Basement

Dimention in  
mm

A	222
B	129
C	159
D	115
E	79
F	293

#### Pump and Motor specification optional

With Booster System	None	
With Complack	None	
Special Material	None	
Speail Voltage	None	

#### Protection system required

External Flout switch	YES	
Minimum Starter	Starter SWT	