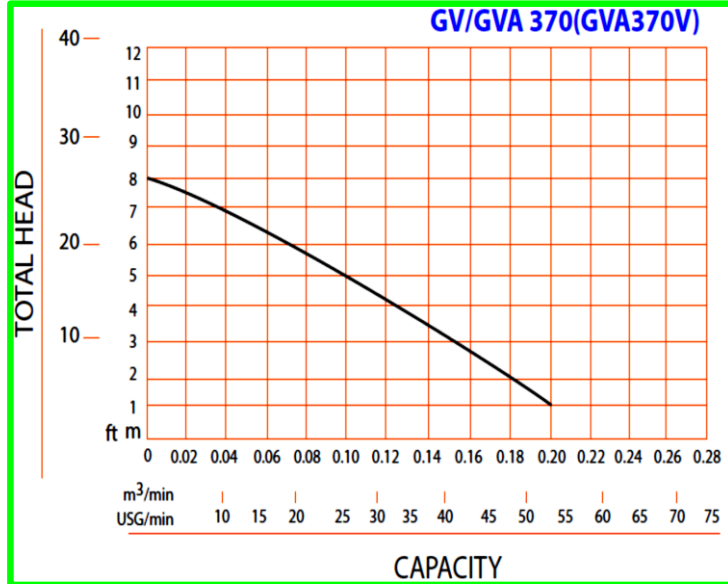


Pump Data

Brand :	Gol Pump		
Model :	GV / GVA - 370 V		
Head Rate :	16 FEET	Flow Rate:	26 GPM
Head Max:	26 FEET	Flow Max:	53 GPM
Head Min:	3 FEET	Flow Min :	5 GPM
RPM :	3550		
Normal Power P1 :	0.5 HP		
Fluid:	Water		
Fluid Temperature:	at about 25 °C.		
Density:	water 997 kg/m ³		
Fluid Viscosity:	8.90 × 10 ⁻⁴ Pa·s		
With Float switch	NONE		
Self Priming	Submersible		
Delivery size	1.5" NPT		
Suction size	With Strainer		
Made in :	TAIWAN		



Motor Data

Power P2:			
Power P1:	0.37 KW		
Phase (PH):	1		
Rate Voltage :	220 V		
Capacitor Need :	*	µF	
Ferequency :	60 Hz		
Rated Speed (rpm):	3550 rpm		
Current (A):	1 A		
Cos φ :	0.95		
Degree of Protection (IP):	IP 68		
Safety Protection Included:	*		
length of Cable :	0.75 × 4	mm2×m	
Kind of Plug :	NONE		
Ambient Temp :	40°C = 104°F		

Other Pump Data

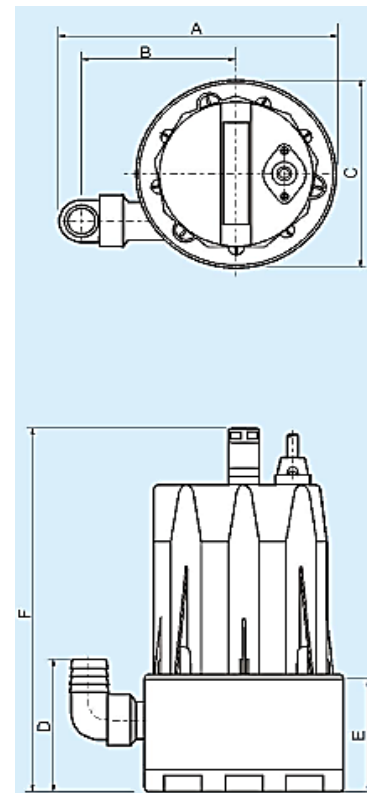
Impeller Size (mm) :	*		
Pressuer Rating :	PN 16		
Min. Fluid Temp :	10°C = 50°F		
Max. Fluid Temp :	40°C = 104°F		
Ambient Temp :	40°C = 104°F		
Humidity % :	100%		

Special Specification

Installation status :	Ver		
Variable frequency :	NONE		
Solid Passage	40 × 15	mm	

Materials

Pump Body :	Plastic		
Support:	Plastic		
Impeller	Plastic		
Mechanical Seal:	Ceramic - Carbon		
Rubber	Synthetic		
Pump Shaft:	Stainless steel		
Strainer	Plastic		
outer cover:	Plastic		
Motor:	Stainless steel		



Shaft Seal

Type:	*		
Stationary Part	Ceramic		
Rotating Part	Carbon		
Elastomer	NBR		

Weight : 6 Kg

Standard Approve



Applicant:

Lifting Sewage Water

from Cesspools Transfer

Clean or Slightly Dirty Water

from The Well or

The Basement

Dimention in

mm

A 228

B 129

C 159

D 117

E 106

F 320

Pump and Motor specification optional

With Booster System	None		
With Complack	None		
Special Material	None		
Specail Voltage	None		

Protection system required

External Flout switch	None		
Minimum Starter	Starter SWT		