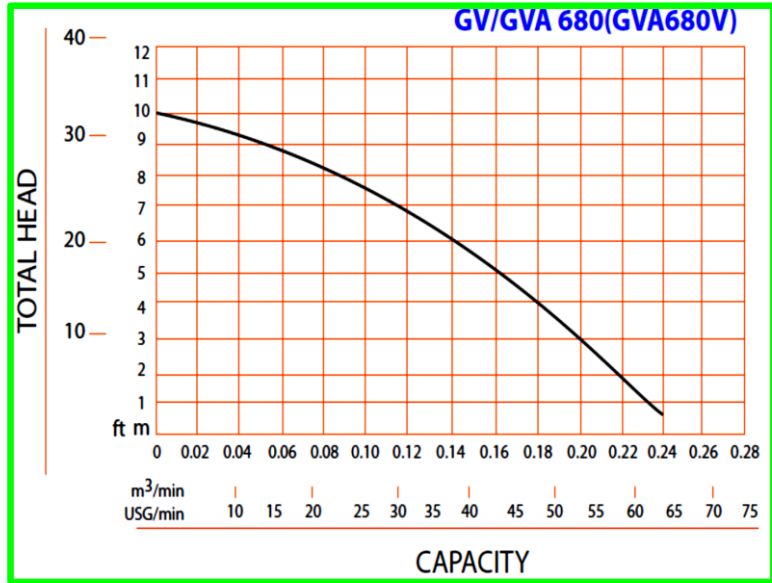


Pump Data

Brand :	Gol Pump		
Model :	GV/GVA - 680 V		
Head Rate :	20 FEET	Flow Rate:	37 GPM
Head Max:	33 FEET	Flow Max:	64 GPM
Head Min:	1 FEET	Flow Min :	5 GPM
RPM :	3550		
Normal Power P1 :	1 HP		
Fluid:	Water		
Fluid Temperature:	at about 25 °C.		
Density:	water 997 kg/m ³		
Fluid Viscosity:	8.90 × 10 ⁻⁴ Pa·s		
With Float switch	NONE		
Self Priming	Submersible		
Delivery size	1 1/2" NPT		
Suction size	With Strainer		
Made in :	TAIWAN		



Motor Data

Power P2:	*		
Power P1:	0.68 KW		
Phase (PH):	1		
Rate Voltage :	220 V		
Capacitor Need :	*	µF	
Ferequency :	60 Hz		
Rated Speed (rpm):	3550 rpm		
Current (A):	1.8 A		
Cos φ :	0.95		
Degree of Protection (IP):	IP 68		
Safety Protection Included :	*		
length of Cable :	0.75 × 4	mm2×m	
Kind of Plug :	NONE		
Ambient Temp :	40°C = 104°F		

Other Pump Data

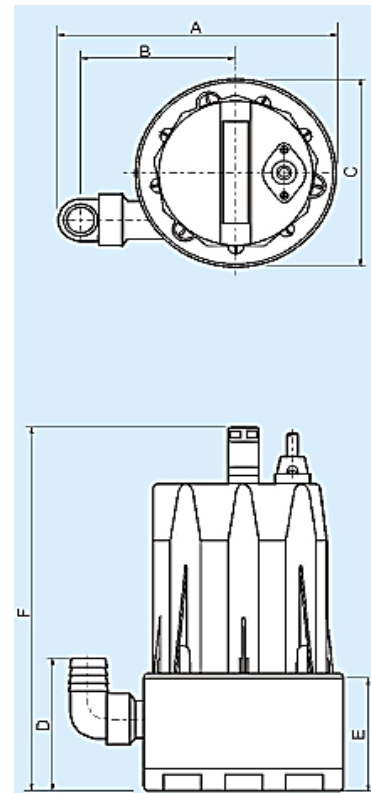
Impeller Size (mm) :	*		
Pressuer Rating :	PN 16		
Min. Fluid Temp :	10°C = 50°F		
Max. Fluid Temp :	40°C = 104°F		
Ambient Temp :	40°C = 104°F		
Humidity % :	100%		

Special Specification

Installation status :	Ver		
Variable frequency :	NONE		
Solid Passage	40 × 25	mm	

Materials

Pump Body :	Plastic		
Support:	Plastic		
Impeller	Plastic		
Mechanical Seal:	Ceramic - Carbon		
Rubber	Synthetic		
Pump Shaft:	Stainless steel		
Strainer	Plastic		
outer cover:	Plastic		
Motor:	Stainless steel		



Shaft Seal

Type:	*		
Stationary Part	Ceramic		
Rotating Part	Carbon		
Elastomer	NBR		

Pump and Motor specification optional

With Booster System	None		
With Complack	None		
Special Material	None		
Specail Voltage	None		

Protection system required

External Flout switch	YES		
Minimum Starter	Starter SWT		

Weight : 7 Kg	
Standard Approve	
CSA	
UL	
CE	

Applicant:	Lifting Sewage Water	
	from Cesspools Transfer	
Applicant:	Clean or Slightly Dirty Water	
	from The Well or	
Applicant:	The Basement	
Dimention in	mm	
	A	241
	B	129
	C	159
	D	137
	E	125
	F	339