

Pump Data			
Brand :	GOL PUMPS		
Model :	G3SD - M 3/21		
Flow Rate:	8 GPM		
Head Rate:	400 FEET		
Head Max:	500 FEET	Flow Min:	5 GPM
Flow Max:	18.5 GPM	Head Min:	195 FEET
RPM :	3450 rpm		
Normal Power P2 :	1.5 HP		
Fluid:	Water		
Fluid Temperature:	at about 25 °C.		
Density:	water 1.0 kg/Dm ³		
Fluid Viscosity:	8.90 x 10 ⁻⁴ Pa·s		
With Float switch	NONE		
Kind of Workiny:	Submersible		
Delivery size:	1 1/2" NPT		
Suction size:	With Strainer		
Made in :	CHINA		

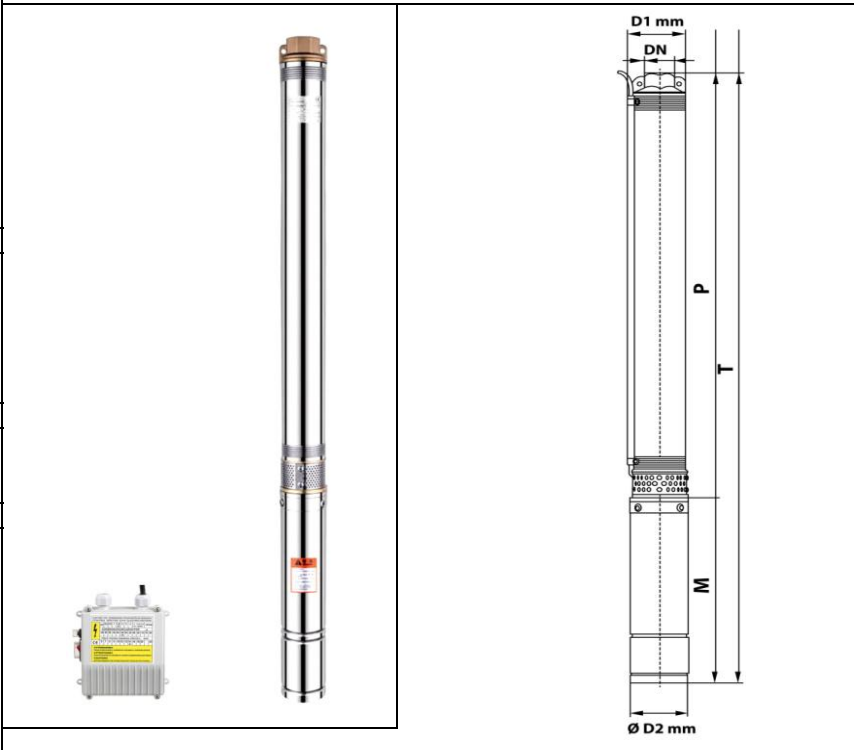
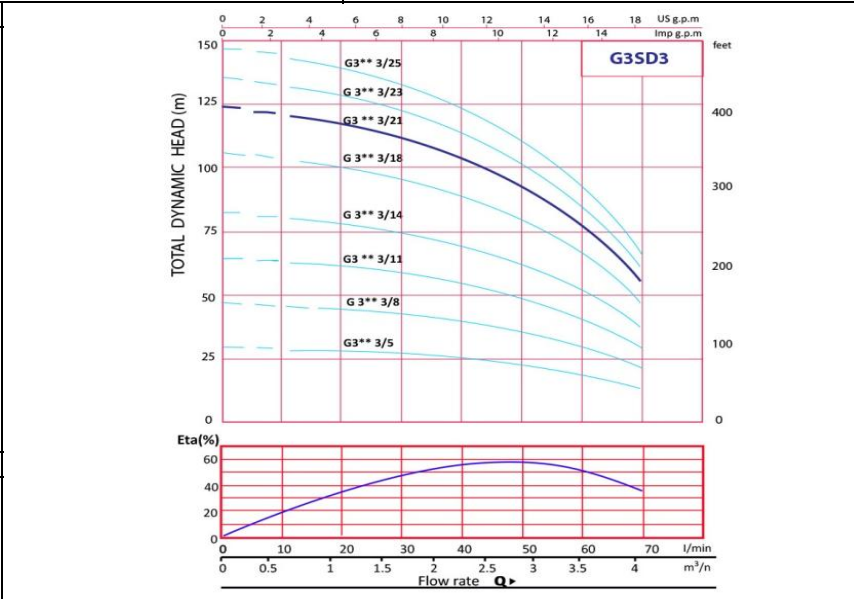
Motor Data			
Power P2:	1.1 KW		
Power P1:	*		
Phase (PH):	1		
Rate Voltage :	220 V		
Capacitor Need :	40/450	µF/V	
Ferequency :	60 Hz		
Rated Speed (rpm):	3450 rpm		
Current (A):	8 A		
Cos φ :	0.93		
Degree of Protection (IP):	IP 68		
Safety Protection Included:	F		
length of Cable :	2 M		
Kind of Plug :	NONE		
Ambient Temp :	40°C = 104°F		

Other Pump Data			
Impeller Size (mm) :	*		
Pressuer Rating :	PN 16		
Min. Fluid Temp :	10°C = 50°F		
Max. Fluid Temp :	35°C = 95°F		
Ambient Temp :	40°C = 104°F		
Humidity % :	100%		

Special Specification	
Installation status :	Vertical
Variable frequency :	NONE
Solid Passage	0.25%

Materials	
Pump Body :	AISI 304 SS
Support:	AISI 304 SS
Impeller	Plastic POM
Mechanical Seal:	Graphite\Ceramic
Rubber	NBR
Pump Shaft:	AISI 304 SS
Strainer	AISI 304 SS
outer cover:	Cast Iron
Motor Case:	AISI 304 SS

Shaft Seal	
Type:	*
Stationary Part	Ceramic
Rotating Part	Graphite
Elastomer	NBR
Pump and Motor specification optional	
With Booster System	None
With Complack	None
Special Material	None
Specail Voltage	None
Protection system required	
External Flout switch	NONE
Minimum Starter	Over Load and Capacitor Box Include



Weight : 13 Kg		Applicant:		Dimention in	
Standard Approve		For Water Supply from Wells or Reservoirs for Domestic Use for Civil and Industrial Applications for Garden Use and Irrigation		mm	
CE				P	764
				M	493
				T	1257
CE		DN	1 1/2"		
		D1	75		
		D2	73		