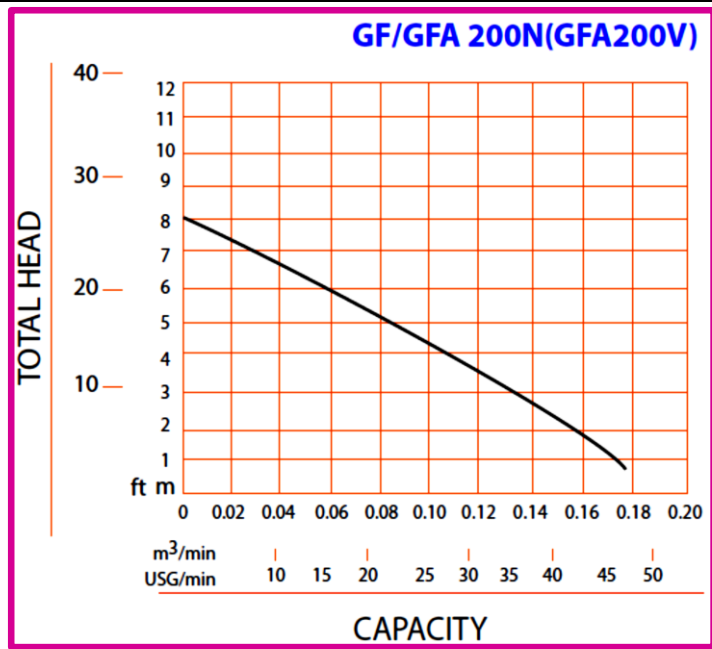


Pump Data

Brand :	Gol Pump		
Model :	GF / GFA - 200 V		
Head Rate :	16 FEET	Flow Rate:	21 GPM
Head Max:	26 FEET	Flow Max:	48 GPM
Head Min:	1 FEET	Flow Min :	5 GPM
RPM :	3450 rpm		
Normal Power P1 :	0.26 HP		
Fluid:	Water		
Fluid Temperature:	at about 25 °C		
Density:	water 997 kg/m ³		
Fluid Viscosity:	8.90 × 10 ⁻⁴ Pa·s		
With Float switch	NONE		
Self Priming	Submersible		
Delivery size	1 1/4" NPT		
Suction size	With Strainer		
Made in :	TAIWAN		



Motor Data

Power P2:			
Power P1:	0.2 KW		
Phase (PH):	1		
Rate Voltage :	220 V		
Capacitor Need :	*	µF	
Ferequency :	60 Hz		
Rated Speed (rpm):	3450 rpm		
Current (A):	0.5 A		
Cos φ :	0.95		
Degree of Protection (IP):	IP 68		
Safety Protection Included:	*		
length of Cable :	0.75 × 4	mm2×m	
Kind of Plug :	NONE		
Ambient Temp :	40°C = 104°F		

Other Pump Data

Impeller Size (mm) :	*
Pressuer Rating :	PN 16
Min. Fluid Temp :	10°C = 50°F
Max. Fluid Temp :	40°C = 104°F
Ambient Temp :	40°C = 104°F
Humidity % :	100%

Special Specification

Installation status :	Ver
Variable frequency :	NONE
Solid Passage	12 × 5 mm

Materials

Pump Body :	Plastic
Support:	Plastic
Impeller	Plastic
Mechanical Seal:	Ceramic - Carbon
Rubber	NBR
Pump Shaft:	Stainless steel
Strainer	Plastic
outer cover:	Plastic
Motor:	Stainless steel

Shaft Seal

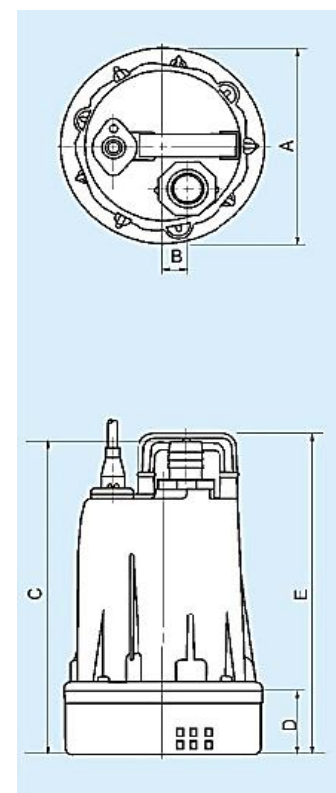
Type:	*
Stationary Part	Ceramic
Rotating Part	Carbon
Elastomer	NBR

Pump and Motor specification optional

With Booster System	None
With Complack	None
Special Material	None
Specail Voltage	None

Protection system required

External Flout switch	YES
Minimum Starter	Starter SWT



Weight : 5.2 Kg		Applicant:	Dimention in	
Standard Approve			mm	
CSA		Multipurpose low power electric pump suitable for drainage of clean water or removing water from flooded basements garages and small sumps	A	159
			B	43
UL			C	291
			D	58
CE			E	273