

Pump Data

Brand :	Gol Pump	
Model :	GKL-2032	
Head Rate: 33 FEET	Flow Rate:	933 GPM
Head Max: 41 FEET	Flow Max:	2133 GPM
Head Min: 3 FEET	Flow Min:	5 GPM
RPM :	1800	
Normal Power P1 :	20 HP	
Fluid:	Water	
Fluid Temperature:	at about 25 °C.	
Density:	water 997 kg/m ³	
Fluid Viscosity:	8.90 × 10 ⁻⁴ Pa·s	
With Float switch	NONE	
Self Priming	Submersible	
Delivery size	12" NPT	
Suction size	With Strainer	
Made in :	TAIWAN	

Motor Data

Power P2:		
Power P1:	15 KW	
Phase (PH):	3	
Rate Voltage :	440 V	
Capacitor Need :	NONE	µF
Ferequency :	60 Hz	
Rated Speed (rpm):	1800 rpm	
Current (A):	23 A	
Cos φ :	0.85	
Degree of Protection (IP):	IP68	
Safety Protection Included :	*	
length of Cable :	5.5 × 10	mm2× m
Kind of Plug :	NONE	
Ambient Temp :	40°C = 104°F	

Other Pump Data

Impeller Size (mm) :	*
Pressuer Rating :	PN 16
Min. Fluid Temp :	10°C = 50°F
Max. Fluid Temp :	25°C = 77°F
Ambient Temp :	40°C = 104°F
Humidity % :	100%

Special Specification

Installation status :	Ver & Hor
Variable frequency :	NONE
Solid Passage	*

Materials

Pump Body :	Cost Iron
Support:	Cast Iron
Impeller	Bronze
Mechanical Seal:	CA/CE/NBR,inox
Rubber	NBR
Pump Shaft:	Stainless steel
Strainer	Stainless steel
outer cover:	Stainless steel
Motor:	Stainless steel

Shaft Seal

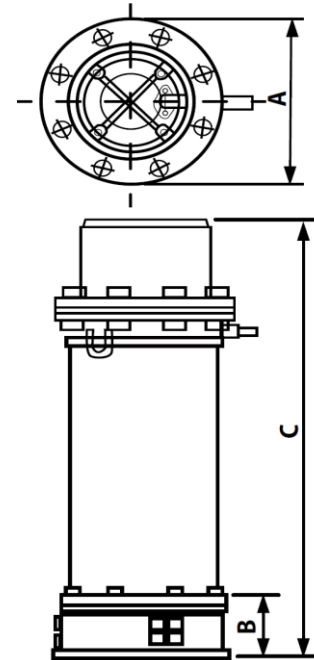
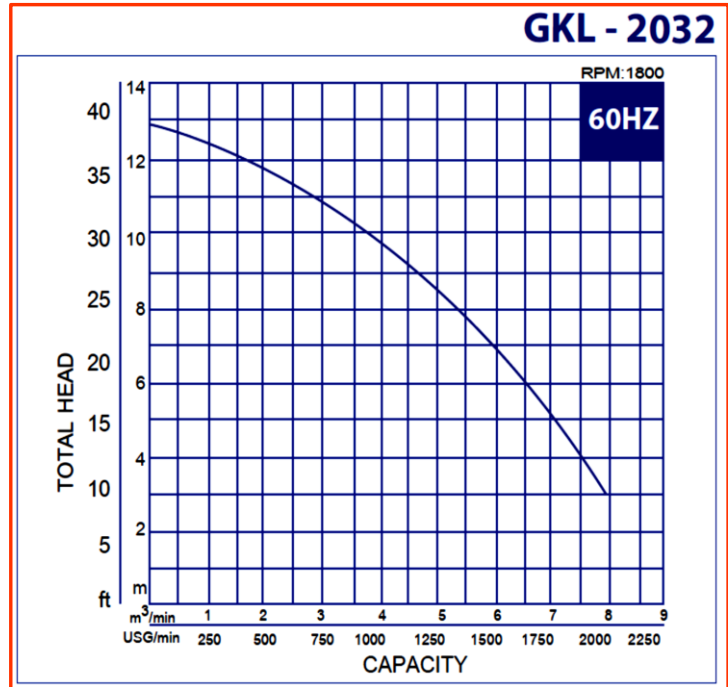
Type:	*
Stationary Part	Ceramic
Rotating Part	Carbon
Elastomer	NBR

Pump and Motor specification optional

With Booster System	None
With Complack	None
Special Material	None
Specail Voltage	None

Protection system required

External Flout switch	None
Minimum Starter	Starter SWT



Weight : 195 Kg

Standard Approve



Applicant:

It is Applicable to Agricultural Industrial Use as well as in Standing Water and Large Volume

Water Pumping Widely Used in Aquaculture Farms Extraction of Water from the Ponds

Rivers and Lakes Flood Control and Drainage System for Industry Water Supply for Fountains

and Water Features Water Discharge Work for Ships It is Applicable to Sewage the Field

Cultivative and Industrial Use as well as in Accumulated Water and Large Volume Water Pumping

Dimention

in mm

A 422

B 200

C 1065