

Pump Data

Brand : Gol Pump
 Model : GKL-732
 Head Rate: 30 FEET Flow Rate: 426 GPM
 Head Max: 41 FEET Flow Max: 960 GPM
 Head Min: 6.6 FEET Flow Min: 5 GPM
 RPM : 1800
 Normal Power P1 : 7.5 HP
 Fluid: Water
 Fluid Temperature: at about 25 °C
 Density: water 997 kg/m³
 Fluid Viscosity: 8.90 × 10⁻⁴ Pa·s
 With Float switch: NONE
 Self Priming: Submersible
 Delivery size: 8" NPT
 Suction size: With Strainer
 Made in : TAIWAN

Motor Data

Power P2:
 Power P1: 5.625 KW
 Phase (PH): 3
 Rate Voltage : 480 V
 Capacitor Need : * μF
 Ferequency : 60 Hz
 Rated Speed (rpm): 1800 rpm
 Current (A): 8 A
 Cos φ : 0.85
 Degree of Protection (IP): IP68
 Safety Protection Included : *
 length of Cable : 5.5×10 mm2× m
 Kind of Plug : NONE
 Ambient Temp : 40°C = 104°F

Other Pump Data

Impeller Size (mm) : *
 Pressuer Rating : PN 16
 Min. Fluid Temp : 10°C = 50°F
 Max. Fluid Temp : 25°C = 77°F
 Ambient Temp : 40°C = 104°F
 Humidity % : 100%

Special Specification

Installation status : Ver & Hor
 Variable frequency : NONE
 Solid Passage *

Materials

Pump Body : Cost Iron
 Support: Cast Iron
 Impeller: Bronze
 Mechanical Seal: CA/CE/NBR,Inox
 Rubber: NBR
 Pump Shaft: Stainless steel
 Strainer: Stainless steel
 outer cover: Stainless steel
 Motor: Stainless steel

Shaft Seal

Type: *
 Stationary Part: Ceramic
 Rotating Part: Carbon
 Elastomer: NBR

Weight : 118 Kg

Standard Approve

CSA



UL



CE



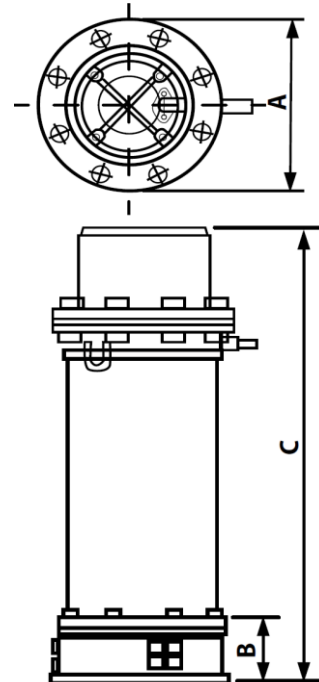
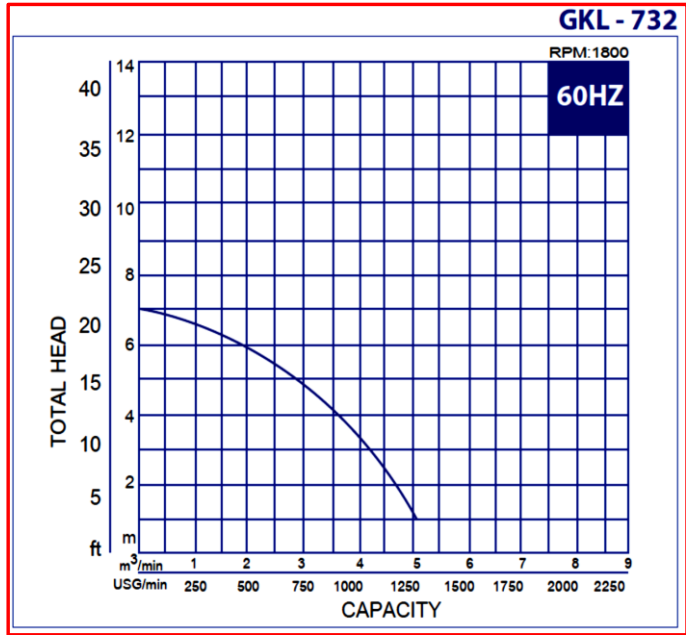
Applicant:

It is Applicable to Agricultural Industrial Use as well as in Standing Water and Large Volume Water Pumping Widely Used in Aquaculture Farms Extraction of Water from the Ponds Rivers and Lakes Flood Control and Drainage System for Industry Water Supply for Fountains and Water Features Water Discharge Work for Ships It is Applicable to Sewage the Field Cultivative and Industrial Use as well as in Accumulated Water and Large Volume Water Pumping

Dimention

in mm

A 376
 B 200
 C 915



Pump and Motor specification optional

With Booster System: None
 With Compack: None
 Special Material: None
 Specail Voltage: None

Protection system required

External Flout switch: None
 Minimum Starter: Starter SWT