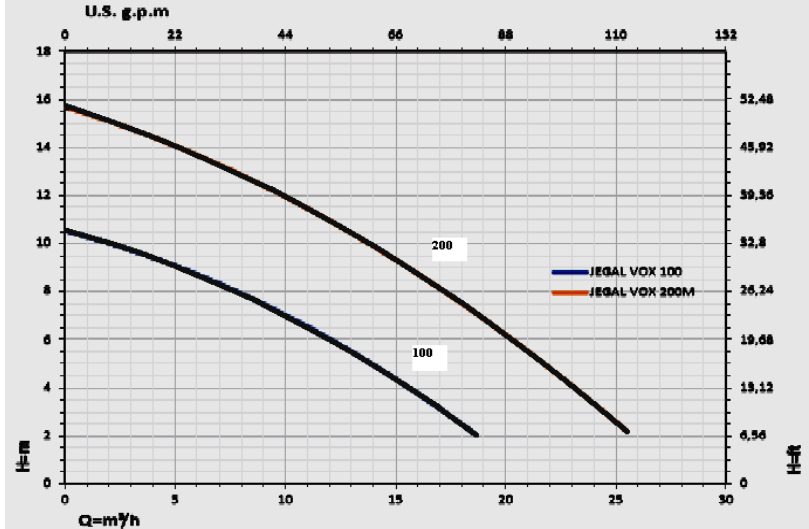


**Pump Data**

Brand : JMS  
 Model : JEGAL VOX 200 M  
 Flow Rate: 44 GPM  
 Head Rate: 39.3 FEET  
 Head Max: 52 FEET  
 Flow Max: 113 GPM  
 RPM : 3450 rpm  
 Normal Power P1 : 3.5 HP  
 Fluid: Water  
 Fluid Temperature: at about 25 °C.  
 Density: water 1.0 kg/Dm³  
 Fluid Viscosity: 8.90 × 10-4 Pa-s  
 With Float switch: NONE  
 kind of Working: Submersible  
 Delivery size: 2"  
 Suction size: With Strainer  
 Made in : ITALY



**Motor Data**

Power P2: 2.8 KW  
 Phase (PH): 1  
 Rate Voltage : 115 or 220 V  
 Capacitor Need : 30 µF  
 Ferequency : 60 Hz  
 Rated Speed (rpm): 3450 rpm  
 Max. I (A): 9 A  
 Cos φ : 0.95  
 Degree of Protection (IP): IP 68  
 Safety Protection Included: F  
 length of Cable : 10 M  
 Kind of Plug : NONE  
 Ambient Temp : 40°C = 104°F

**Other Pump Data**

Impeller Size (mm) : \*  
 Pressuer Rating : PN 16  
 Min. Fluid Temp : 10°C = 50°F  
 Max. Fluid Temp : 35°C = 95°F  
 Ambient Temp : 40°C = 104°F  
 Humidity % : 100%

**Special Specification**

Installation status : Vertical  
 Variable frequency : NONE  
 Solid Passage : 30 mm

**Materials**

Pump Body : Stainless steel  
 Support: Stainless steel  
 Impeller: AISI 304  
 Mechanical Seal: Silicon Carbide / Ceramic  
 Rubber: VITON  
 Pump Shaft: AISI 316  
 Strainer: Stainless steel  
 outer cover: AISI 304  
 Motor: Stainless steel

**Shaft Seal**

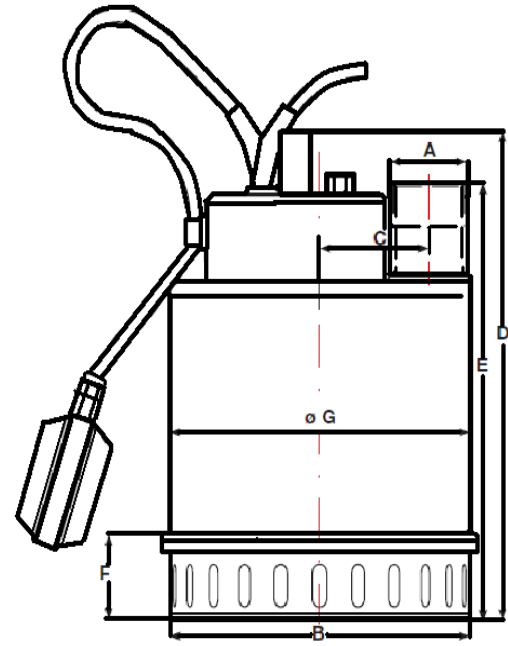
Type: \*  
 Stationary Part: AISI 316  
 Rotating Part: AISI 316  
 Elastomer: VITON

**Pump and Motor specification optional**

With Booster System: None  
 With Complack: None  
 Special Material: None  
 Specail Voltage: None

**Protection system required**

External Flout switch: YES  
 Minimum Starter: Starter SWT



Weight :18 Kg  
 Standard Approve  
**CE**

**Applicant:**

Rain Seepage Sump Pit And Catch Tank Water Pump Out Garden  
 And Vegetable-Garden Mini Flood Irrigation System Rainwater  
 Catch Tank Pump Down White Water Pump Over From Reservoirs  
 Pumping Dirty Water With Possible Floating Solid Contents  
 And Vats. Pumping Aggressive Liquid

**Dimention in**

	mm
A	2" Inch
B	204
C	73
D	384.7
E	393.2
F	106
G	203