

**Pump Data**

Brand : JMS  
 Model : JEGAL VOX 200 T 380 V  
 Flow Rate: 51 GPM  
 Head Rate: 30 FEET  
 Head Max: 49 FEET  
 Flow Max: 106 GPM  
 RPM : 3450 rpm  
 Normal Power P1 : 3.5 HP  
 Fluid: Water  
 Fluid Temperature: at about 25 °C.  
 Density: water 1.0 kg/Dm<sup>3</sup>  
 Fluid Viscosity: 8.90 x 10<sup>-4</sup> Pa-s  
 With Float switch: NONE  
 kind of Workiny: Submersible  
 Delivery size: 2"  
 Suction size: With Strainer  
 Made in : ITALY

**Motor Data**

Power P2:  
 Power P1: 2.5 KW  
 Phase (PH): 3  
 Rate Voltage : 230 V  
 Capacitor Need : \* μF  
 Ferequency : 60 Hz  
 Rated Speed (rpm): 3450 rpm  
 Max. I (A): 3.7 A  
 Cos φ : 0.85  
 Degree of Protection (IP): IP 68  
 Safety Protection Included: F  
 length of Cable : 10 M  
 Kind of Plug : NONE  
 Ambient Temp : 40°C = 104°F

**Other Pump Data**

Impeller Size (mm) : \*  
 Pressuer Rating : PN 16  
 Min. Fluid Temp : 10°C = 50°F  
 Max. Fluid Temp : 35°C = 95°F  
 Ambient Temp : 40°C = 104°F  
 Humidity % : 100%

**Special Specification**

Installation status : Vertical  
 Variable frequency : NONE  
 Solid Passage : 30 mm

**Materials**

Pump Body : Stainless steel  
 Support: Stainless steel  
 Impeller: AISI 304  
 Mechanical Seal: Silicon Carbide / Ceramic  
 Rubber: VITON  
 Pump Shaft: AISI 316  
 Strainer: Stainless steel  
 outer cover: AISI 304  
 Motor: Stainless steel

**Shaft Seal**

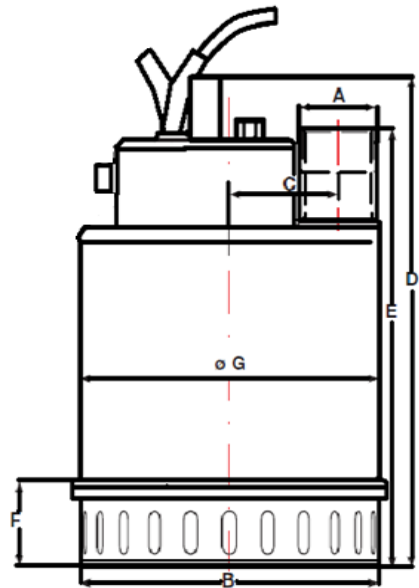
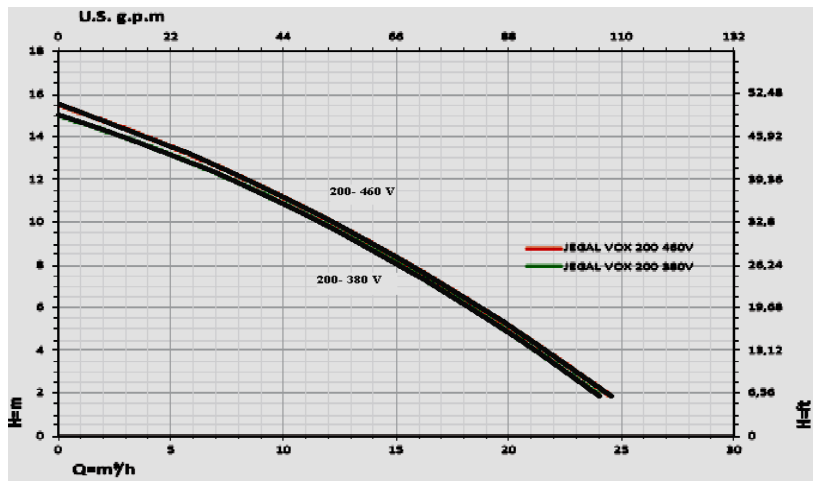
Type: \*  
 Stationary Part: AISI 316  
 Rotating Part: AISI 316  
 Elastomer: VITON

**Pump and Motor specification optional**

With Booster System: None  
 With Complack: None  
 Special Material: None  
 Specail Voltage: None

**Protection system required**

External Flout switch: NONE  
 Minimum Starter: Starter SWT



Weight :18 Kg

Standard Approve



**Applicant:**

Rain Seepage Sump Pit And Catch Tank Water Pump Out Garden  
 And Vegetable-Garden Mini Flood Irrigation System Rainwater  
 Catch Tank Pump Down White Water Pump Over From Reservoirs  
 Pumping Dirty Water With Possible Floating Solid Contents  
 And Vats. Pumping Aggressive Liquid

Dimention in

mm

A	2" Inch
B	204
C	73
D	384.7
E	393.2
F	106
G	203