

#### Pump Data

Brand : JMS  
 Model : JENAX 350 F  
 Flow Rate: 88 GPM  
 Head Rate: 41 FEET  
 Head Max: 59 FEET  
 Flow Min: 5 GPM  
 Flow Max: 217 GPM  
 Head Min: 6.5 FEET  
 RPM : 3450 rpm  
 Normal Power P1 : 3.5 HP  
 Fluid: Water  
 Fluid Temperature: at about 25 °C.  
 Density: water 1.0 kg/Dm<sup>3</sup>  
 Fluid Viscosity: 8.90 × 10<sup>-4</sup> Pa-s  
 With Float switch: NONE  
 Kind of Workiny: Submersible  
 Delivery size: 2" 1/2 NPT  
 Suction size: With Strainer  
 Made in : ITALY

#### Motor Data

Power P2:  
 Power P1: 3.3 KW  
 Phase (PH): 3  
 Rate Voltage : 230 V  
 Capacitor Need : \* μF  
 Ferequency : 60 Hz  
 Rated Speed (rpm): 3450 rpm  
 Max. I (A): 10 A  
 Cos φ : 0.85  
 Degree of Protection (IP): IP 68  
 Safety Protection Included: F  
 length of Cable : 10 M  
 Kind of Plug : NONE  
 Ambient Temp : 40°C = 104°F

#### Other Pump Data

Impeller Size (mm) : \*  
 Pressuer Rating : PN 16  
 Min. Fluid Temp : 10°C = 50°F  
 Max. Fluid Temp : 35°C = 95°F  
 Ambient Temp : 40°C = 104°F  
 Humidity % : 100%

#### Special Specification

Installation status : Vertical  
 Variable frequency : NONE  
 Solid Passage 60 mm

#### Materials

Pump Body : Stainless steel  
 Support: Stainless steel  
 Impeller: Stainless steel  
 Mechanical Seal: Silicon/Carbide  
 Rubber: NBR  
 Pump Shaft: Stainless steel  
 Strainer: Stainless steel  
 outer cover: Stainless steel  
 Motor Case: Stainless steel

#### Shaft Seal

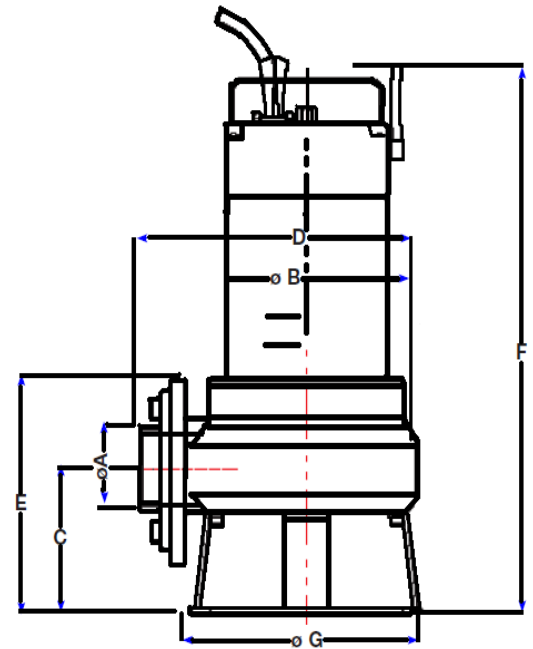
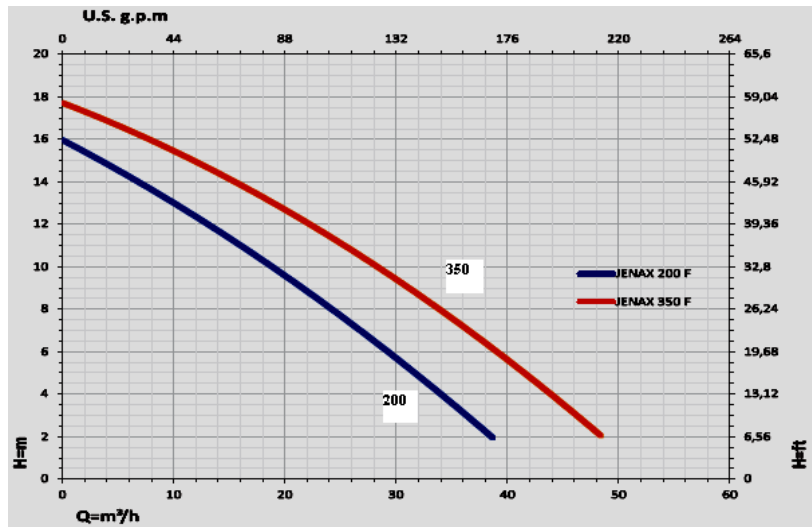
Type: \*  
 Stationary Part: Stainless steel  
 Rotating Part: Stainless steel  
 Elastomer: NBR

#### Pump and Motor specification optional

With Booster System: None  
 With Complack: None  
 Special Material: None  
 Specail Voltage: None

#### Protection system required

External Flout switch: NONE  
 Minimum Starter: Starter SWT



Weight : 21 Kg

Standard Approve



#### Applicant:

Decantation Pit and Slurry Collection  
 Pit Pump out Lavatory Foul Water  
 with Floating / NON- Floating Solids and  
 Fibre suspensoids Pump out Domestic and Industrial  
 Lavatory / Black Water Handling Systems

#### Dimention in

|   | mm         |
|---|------------|
| A | 2" 1/2 npt |
| B | 115        |
| C | 116.5      |
| D | 260        |
| E | 192        |
| F | 473        |
| G | 214        |