

Pump Data

Brand : JMS
 Model : JENAX 850 F
 Flow Rate : 132 GPM
 Head Rate : 70 FEET
 Head Max : 101 FEET
 Flow Min : 5 GPM
 Head Min : 6.5 FEET
 Flow Max : 357 GPM
 RPM : 3450 rpm
 Normal Power P1 : 10 HP
 Fluid : Water
 Fluid Temperature : at about 25 °C.
 Density : water 1.0 kg/Dm³
 Fluid Viscosity : 8.90 x 10⁻⁴ Pa-s
 With Float switch : NONE
 Kind of Workiny : Submersible
 Delivery size : 3" NPT
 Suction size : With Strainer
 Made in : ITALY

Motor Data

Power P2 :
 Power P1 : 7.7 KW
 Phase (PH) : 3
 Rate Voltage : 230 V
 Capacitor Need : * μF
 Ferequency : 60 Hz
 Rated Speed (rpm) : 3450 rpm
 Max. I (A) : 24 A
 Cos φ : 0.85
 Degree of Protection (IP) : IP 68
 Safety Protection Included : F
 length of Cable : 10 M
 Kind of Plug : NONE
 Ambient Temp : 40°C = 104°F

Other Pump Data

Impeller Size (mm) : *
 Pressuer Rating : PN 16
 Min. Fluid Temp : 10°C = 50°F
 Max. Fluid Temp : 35°C = 95°F
 Ambient Temp : 40°C = 104°F
 Humidity % : 100%

Special Specification

Installation status : Vertical
 Variable frequency : NONE
 Solid Passage : 50 mm

Materials

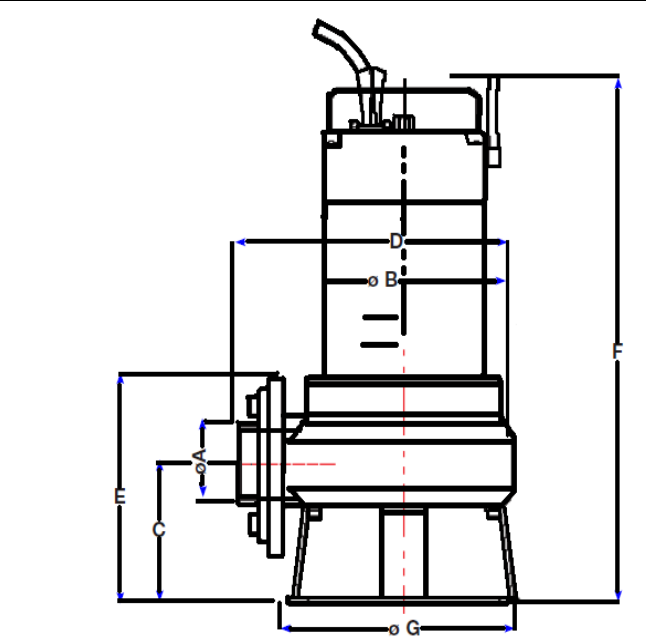
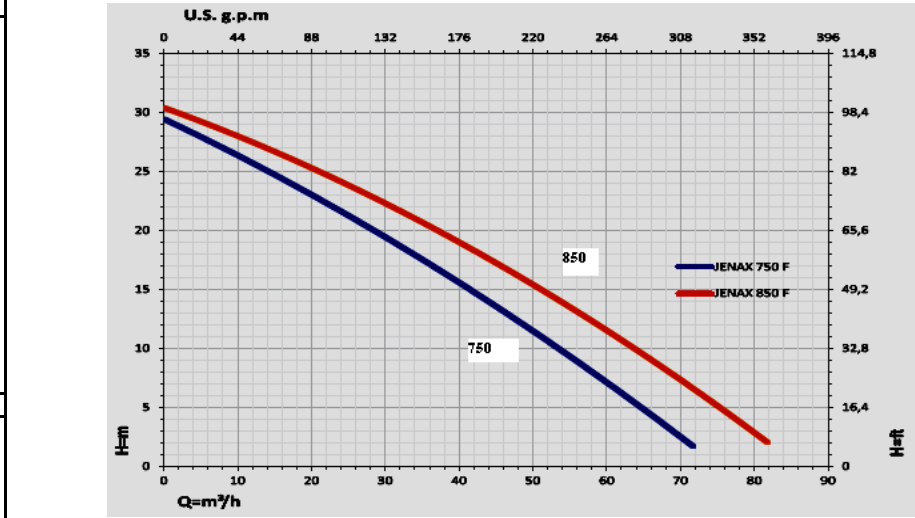
Pump Body : Stainless steel
 Support : Stainless steel
 Impeller : Stainless steel
 Mechanical Seal : Silicon/Carbide
 Rubber : NBR
 Pump Shaft : Stainless steel
 Strainer : Stainless steel
 outer cover : Stainless steel
 Motor Case : Stainless steel

Shaft Seal

Type : *
 Stationary Part : Stainless steel
 Rotating Part : Stainless steel
 Elastomer : NBR

Pump and Motor specification optional

With Booster System : None
 With Complack : None
 Special Material : None
 Specail Voltage : None
 Protection system required
 External Flout switch : NONE
 Minimum Starter : Starter SWT



Weight : 44 Kg
 Standard Approve

Applicant:
 Decantation Pit and Slurry Collection
 Pit Pump out Lavatory Foul Water
 with Floating / NON- Floating Solids and
 Fibre suspensoids Pump out Domestic and Industrial
 Lavatory / Black Water Handling Systems

Dimention in		mm
A	3" NPT	119
B		190
C		390
D		285
E		662
F		279
G		