

#### Pump Data

Brand : JMS  
 Model : JIGER 200 M  
 Flow Rate: 50 GPM  
 Head Rate: 29 FEET  
 Head Max: 42 FEET  
 Flow Max: 141 GPM  
 RPM : 3450 rpm  
 Normal Power P1 : 3.5 HP  
 Fluid: Water  
 Fluid Temperature: at about 25 °C.  
 Density: water 1.0 kg/Dm³  
 Fluid Viscosity: 8.90 × 10<sup>-4</sup> Pa·s  
 With Float switch: NONE  
 Kind of Working: Submersible  
 Delivery size: 2" NPT  
 Suction size: With Strainer  
 Made in : ITALY

#### Motor Data

Power P2:  
 Power P1: 2.5 KW  
 Phase (PH): 1  
 Rate Voltage : 230 V  
 Capacitor Need : 30 μF  
 Ferequency : 60 Hz  
 Rated Speed (rpm): 3450 rpm  
 Max. I (A): 11 A  
 Cos φ : 0.95  
 Degree of Protection (IP): IP 68  
 Safety Protection Included: F  
 length of Cable : 10 M  
 Kind of Plug : NONE  
 Ambient Temp : 40°C = 104°F

#### Other Pump Data

Impeller Size (mm) : \*  
 Pressuer Rating : PN 16  
 Min. Fluid Temp : 10°C = 50°F  
 Max. Fluid Temp : 35°C = 95°F  
 Ambient Temp : 40°C = 104°F  
 Humidity % : 100%

#### Special Specification

Installation status : Vertical  
 Variable frequency : NONE  
 Solid Passage 50 mm

#### Materials

Pump Body : CAST IRON  
 Support: Stainless steel  
 Impeller: CAST IRON  
 Mechanical Seal: Silicon Carbide  
 Rubber: NBR  
 Pump Shaft: Stainless steel  
 Strainer: Stainless steel  
 outer cover: CAST IRON  
 Motor Case: Stainless steel

#### Shaft Seal

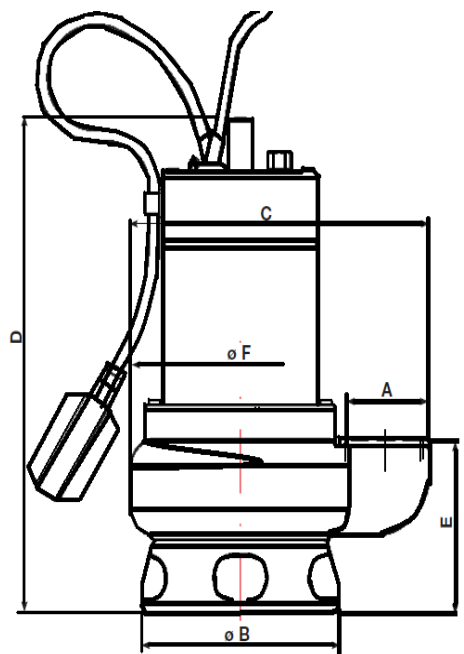
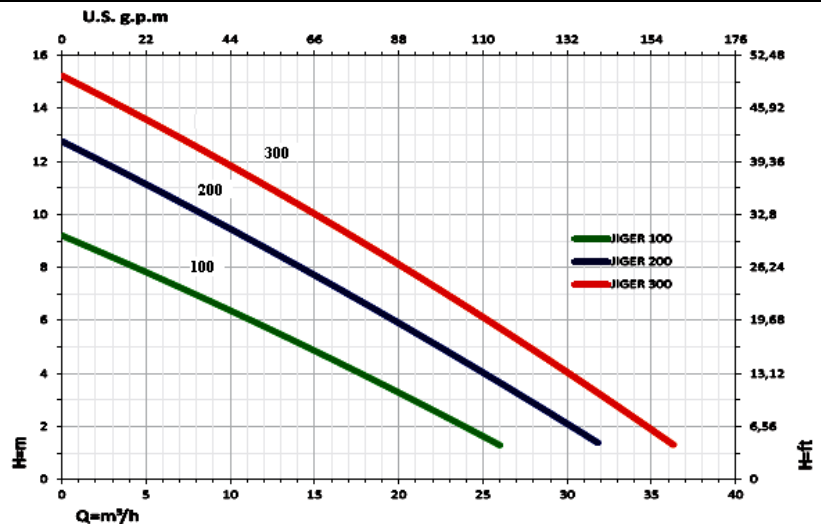
Type: \*  
 Stationary Part: Silicon Carbide  
 Rotating Part: Silicon Carbide  
 Elastomer: NBR

#### Pump and Motor specification optional

With Booster System: None  
 With Complack: None  
 Special Material: None  
 Specail Voltage: None

#### Protection system required

External Flout switch: YES  
 Minimum Starter: Starter SWT



Weight : 18.5 Kg

Standard Approve



#### Applicant:

Decantation Pit Sewage Pit and Slurry  
 Collection Pit Pump out Pump out of Lavatory  
 Foul Water with Possible Floating  
 Domestic and Industrial Lavatory  
 Black Water Handling Systems

#### Dimention in

	mm
A	2"
B	150
C	232
D	395.5
E	125
F	170