

**Pump Data**

Brand : JMS  
 Model : JIGER 300 M  
 Flow Rate: 50 GPM  
 Head Rate: 36 FEET  
 Head Max: 50 FEET  
 Flow Max: 160 GPM  
 RPM : 3450 rpm  
 Normal Power P1 : 4 HP  
 Fluid: Water  
 Fluid Temperature: at about 25 °C.  
 Density: water 1.0 kg/Dm³  
 Fluid Viscosity: 8.90 × 10<sup>-4</sup> Pa·s  
 With Float switch: NONE  
 Kind of Workiny: Submersible  
 Delivery size: 2" NPT  
 Suction size: With Strainer  
 Made in : ITALY

**Motor Data**

Power P2:  
 Power P1: 3 KW  
 Phase (PH): 1  
 Rate Voltage : 230 V  
 Capacitor Need : 30 µF  
 Ferequency : 60 Hz  
 Rated Speed (rpm): 3450 rpm  
 Max. I (A): 13 A  
 Cos φ : 0.95  
 Degree of Protection (IP): IP 68  
 Safety Protection Included: F  
 length of Cable : 10 M  
 Kind of Plug : NONE  
 Ambient Temp : 40°C = 104°F

**Other Pump Data**

Impeller Size (mm) : \*  
 Pressuer Rating : PN 16  
 Min. Fluid Temp : 10°C = 50°F  
 Max. Fluid Temp : 35°C = 95°F  
 Ambient Temp : 40°C = 104°F  
 Humidity % : 100%

**Special Specification**

Installation status : Vertical  
 Variable frequency : NONE  
 Solid Passage 50 mm

**Materials**

Pump Body : CAST IRON  
 Support: Stainless steel  
 Impeller: CAST IRON  
 Mechanical Seal: Silicon Carbide  
 Rubber: NBR  
 Pump Shaft: Stainless steel  
 Strainer: Stainless steel  
 outer cover: CAST IRON  
 Motor Case: Stainless steel

**Shaft Seal**

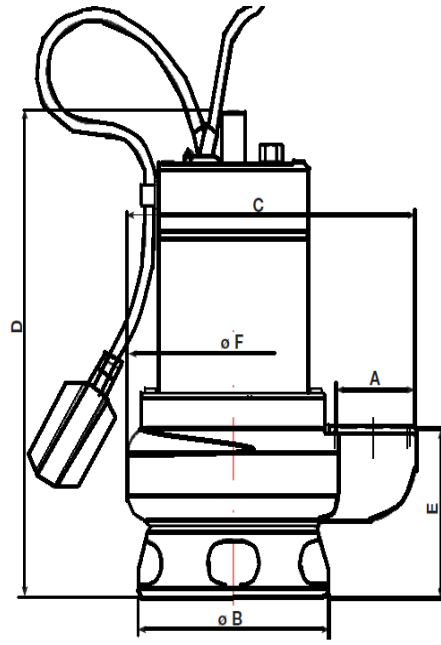
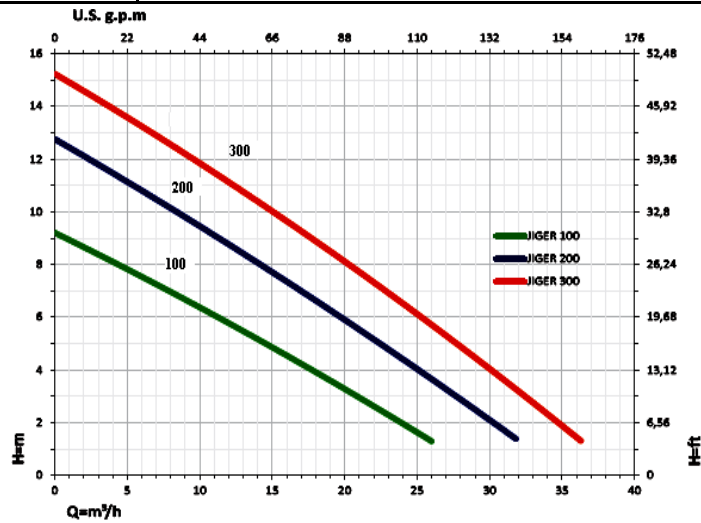
Type: \*  
 Stationary Part: Silicon Carbide  
 Rotating Part: Silicon Carbide  
 Elastomer: NBR

**Pump and Motor specification optional**

With Booster System: None  
 With Complack: None  
 Special Material: None  
 Specail Voltage: None

**Protection system required**

External Flout switch: YES  
 Minimum Starter: Starter SWT



Weight : 18.5 Kg  
 Standard Approve  
**CE**

**Applicant:**

- Decantation Pit Sewage Pit and Slurry
- Collection Pit Pump out Pump out of Lavatory
- Foul Water with Possible Floating
- Domestic and Industrial Lavatory
- Black Water Handling Systems

Dimention in	
	mm
A	2"
B	150
C	232
D	395.5
E	125
F	170