

Pump Data

Brand : JMS
 Model : JIGER 80 M
 Flow Rate: 30 GPM
 Head Rate: 23 FEET
 Head Max: 32 FEET
 Flow Max: 85 GPM
 RPM : 3450 rpm
 Normal Power P1 : 2 HP
 Fluid: Water
 Fluid Temperature: at about 25 °C.
 Density: water 1.0 kg/Dm³
 Fluid Viscosity: 8.90 × 10-4 Pa·s
 With Float switch: NONE
 Kind of Workiny: Submersible
 Delivery size: 1" 1/2 NPT
 Suction size: With Strainer
 Made in : ITALY

Motor Data

Power P2:
 Power P1: 1.4 KW
 Phase (PH): 1
 Rate Voltage : 230 V
 Capacitor Need : 20 µF
 Ferequency : 60 Hz
 Rated Speed (rpm): 3450 rpm
 Max. I (A): 6.2 A
 Cos φ : 0.95
 Degree of Protection (IP): IP 68
 Safety Protection Included: F
 length of Cable : 10 M
 Kind of Plug : NONE
 Ambient Temp : 40°C = 104°F

Other Pump Data

Impeller Size (mm) : *
 Pressuer Rating : PN 16
 Min. Fluid Temp : 10°C = 50°F
 Max. Fluid Temp : 35°C = 95°F
 Ambient Temp : 40°C = 104°F
 Humidity % : 100%

Special Specification

Installation status : Vertical
 Variable frequency : NONE
 Solid Passage 35 mm

Materials

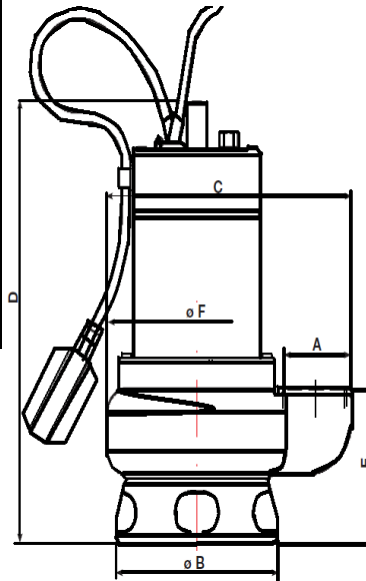
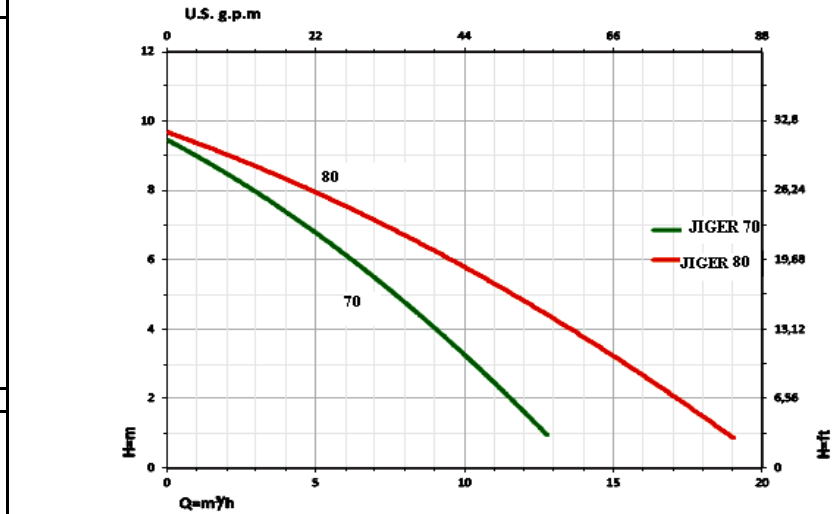
Pump Body : CAST IRON
 Support: Stainless steel
 Impeller: CAST IRON
 Mechanical Seal: Silicon Carbide
 Rubber: NBR
 Pump Shaft: Stainless steel
 Strainer: Stainless steel
 outer cover: CAST IRON
 Motor Case: Stainless steel

Shaft Seal

Type: *
 Stationary Part: Silicon Carbide
 Rotating Part: Silicon Carbide
 Elastomer: NBR

Pump and Motor specification optional

With Booster System: None
 With Complack: None
 Special Material: None
 Specail Voltage: None
 Protection system required
 External Flout switch: YES
 Minimum Starter: Starter SWT



Weight : 15.5 Kg
 Standard Approve



Applicant:

Decantation Pit Sewage Pit and Slurry
 Collection Pit Pump out Pump out of Lavatory
 Foul Water with Possible Floating
 Domestic and Industrial Lavatory
 Black Water Handling Systems

Dimention in

Label	Dimension [mm]
A	1 1/2"
B	150
C	232
D	372.5
E	125
F	170