

Pump Data

Brand : JMS
 Model : JIZAR VOX 60 M
 Flow Rate: 14 GPM
 Head Rate: 20 FEET
 Head Max: 25 FEET
 Flow Max: 39 GPM
 RPM : 3450 rpm
 Normal Power P1 : 1 HP
 Fluid: Water
 Fluid Temperature: at about 25 °C.
 Density: water 1.0 kg/Dm³
 Fluid Viscosity: 8.90 × 10-4 Pa-s
 With Float switch: NONE
 kind of Working: Submersible
 Delivery size: 1 1/4"
 Suction size: With Strainer
 Made in : ITALY

Motor Data

Power P2:
 Power P1: 0.75 KW
 Phase (PH): 1
 Rate Voltage : 115 V
 Capacitor Need : 12.5 µF
 Ferequency : 60 Hz
 Rated Speed (rpm): 3450 rpm
 Max. I (A): 6.5 A
 Cos φ : 0.95
 Degree of Protection (IP): IP 68
 Safety Protection Included: F
 length of Cable : 10 M
 Kind of Plug : NONE
 Ambient Temp : 40°C = 104°F

Other Pump Data

Impeller Size (mm) : *
 Pressuer Rating : PN 16
 Min. Fluid Temp : 10°C = 50°F
 Max. Fluid Temp : 35°C = 95°F
 Ambient Temp : 40°C = 104°F
 Humidity % : 100%

Special Specification

Installation status : Vertical
 Variable frequency : NONE
 Solid Passage : 20 mm

Materials

Pump Body : Tecnopolymer
 Support: Stainless steel
 Impeller: Tecnopolymer
 Mechanical Seal: Graphite - Ceramic
 Rubber: NBR 70
 Pump Shaft: AISI 303
 Strainer: Stainless steel
 outer cover: Tecnopolymer
 Motor: Stainless steel

Shaft Seal

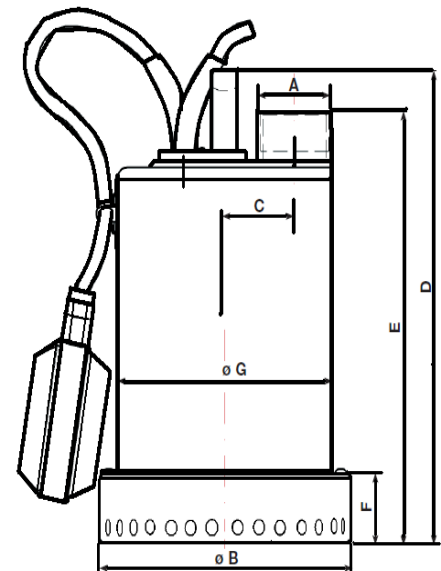
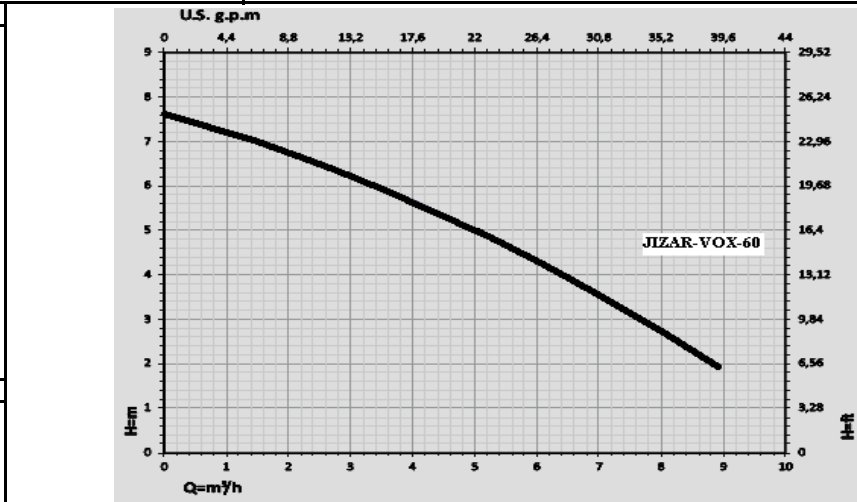
Type: *
 Stationary Part: AISI 303
 Rotating Part: AISI 303
 Elastomer: NBR 70

Pump and Motor specification optional

With Booster System: None
 With Complack: None
 Special Material: None
 Specail Voltage: None

Protection system required

External Flout switch: YES
 Minimum Starter: Starter SWT



Weight : 7.5 Kg

Standard Approve



Applicant:

Rain Seepage Sump Pit And Catch Tank Water Pump Out Garden
 And Vegetable-Garden Mini Flood Irrigation System Rainwater
 Catch Tank Pump Down White Water Pump Over From Reservoirs
 Pumping Dirty Water With Possible Floating Solid Contents
 And Vats. Pumping Aggressive Liquid

Dimention in

	mm
A	1 1/4" Inch
B	154
C	41
D	282
E	261
F	70
G	132