

Date: \_\_\_\_\_ Page: \_\_\_\_\_

**Pump Data**

Brand : JMS  
Model : JONTRACT 180 M  
Flow Rate: 66 GPM  
Head Rate: 40 FEET  
Head Max: 63 FEET Flow Min : 5 GPM  
Flow Max: 132 GPM Head Min: 6.6 FEET  
RPM : 3450 rpm  
Normal Power P1 : 3.5 HP  
Fluid: Water  
Fluid Temperature: at about 25 °C.  
Density: water 1.0 kg/Dm<sup>3</sup>  
Fluid Viscosity: 8.90 x 10<sup>-4</sup> Pa-s  
With Float switch NONE  
kind of Workiny: Submersible  
Delivery size 2"  
Suction size With Strainer  
Made in : ITALY

**Motor Data**

Power P2:  
Power P1: 2.5 KW  
Phase (PH): 1  
Rate Voltage : 230 V  
Capacitor Need : 40 µF  
Ferequency : 60 Hz  
Rated Speed (rpm): 3450 rpm  
Max. I (A): 11 A  
Cos φ : 0.95  
Degree of Protection (IP): IP 68  
Safety Protection Included: F  
length of Cable : 10 M  
Kind of Plug : NONE  
Ambient Temp : 40°C = 104°F

**Other Pump Data**

Impeller Size (mm) : \*  
Pressuer Rating : PN 16  
Min. Fluid Temp : 10°C = 50°F  
Max. Fluid Temp : 35°C = 95°F  
Ambient Temp : 40°C = 104°F  
Humidity % : 100%

**Special Specification**

Installation status : Vertical  
Variable frequency : NONE  
Solid Passage 10 mm

**Materials**

Pump Body : Stainless steel  
Support: Stainless steel  
Impeller Special Stainless steel  
Mechanical Seal: Silicon Carbide  
Rubber NBR  
Pump Shaft: Stainless steel  
Strainer Stainless steel  
outer cover: Stainless steel  
Motor Case: Stainless steel

**Shaft Seal**

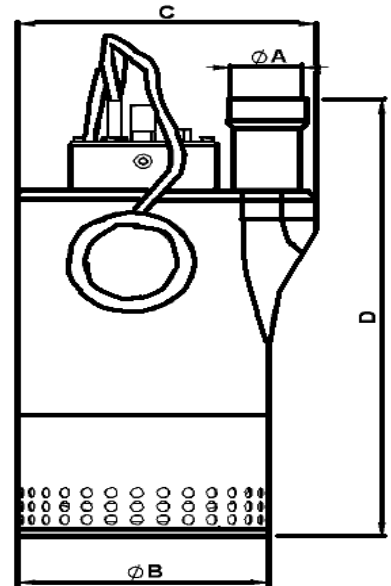
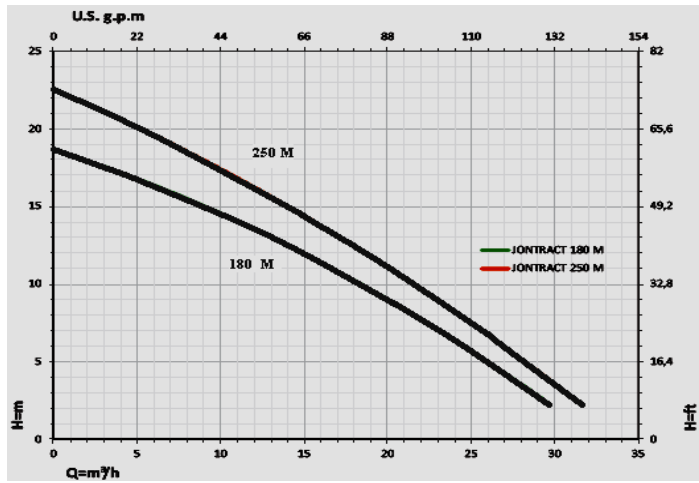
Type: \*  
Stationary Part Stainless steel  
Rotating Part Stainless steel  
Elastomer NBR

**Pump and Motor specification optional**

With Booster System None  
With Complack None  
Special Material None  
Speciaal Voltage None

**Protection system required**

External Flout switch YES  
Minimum Starter Starter SWT



Weight : 25 Kg  
Standard Approve



**Applicant:**

Work Site Trench Duct And  
Underground Passage Pump Out  
Sited to garage And Basament Pump Out Handling  
Moderately Foull Water With Material  
And/or Abrasive Material Contents

Dimention in

	mm
A	2" Inch
B	203
C	230
D	446