

Pump Data	
Brand :	JMS
Model :	JOWER 30 M
Flow Rate:	13.2 GPM
Head Rate: 20 FEET	
Head Max: 28 FEET	Flow Min: 5 GPM
Flow Max: 31 GPM	Head Min: 6 FEET
RPM :	3450 rpm
Normal Power P1 :	0.8 HP
Fluid:	Water
Fluid Temperature:	at about 25 °C.
Density:	water 1.0 kg/Dm <sup>3</sup>
Fluid Viscosity:	8.90 × 10 <sup>-4</sup> Pa-s
With Float switch	NONE
kind of Workiny:	Submersible
Delivery size	1 1/4"
Suction size	With Strainer
Made in :	ITALY

Motor Data	
Power P1:	0.6 KW
Phase (PH):	1
Rate Voltage :	115 V
Capacitor Need :	16 μF
Ferequency :	60 Hz
Rated Speed (rpm):	3450 rpm
Max . I (A):	4.8 A
Cos φ :	0.95
Degree of Protection (IP):	IP 68
Safety Protection Included:	F
length of Cable :	10 M
Kind of Plug :	NONE
Ambient Temp :	40°C = 104°F

Other Pump Data	
Impeller Size (mm) :	*
Pressuer Rating :	PN 16
Min. Fluid Temp :	10°C = 50°F
Max. Fluid Temp :	35°C = 95°F
Ambient Temp :	40°C = 104°F
Humidity % :	100%

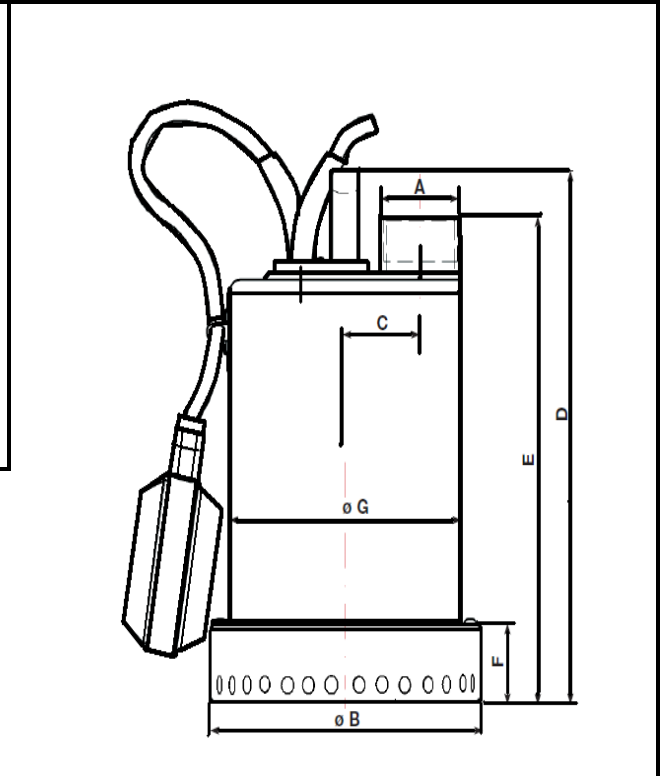
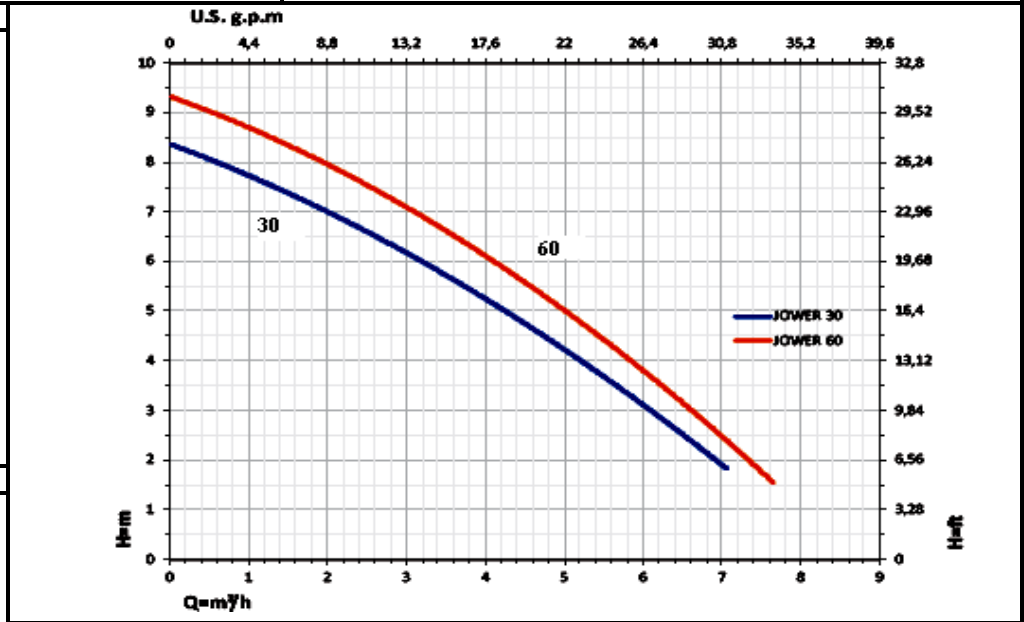
Special Specification	
Installation status :	Vertical
Variable frequency :	NONE
Solid Passage	10 mm

Materials	
Pump Body :	Tecnopolymer
Support:	Stainless steel
Impeller	Tecnopolymer
Mechanical Seal:	Graphite - Ceramic
Rubber	NBR 70
Pump Shaft:	AISI 303
Strainer	Stainless steel
outer cover:	Tecnopolymer
Motor Case:	Stainless steel

Shaft Seal	
Type:	*
Stationary Part	AISI 303
Rotating Part	AISI 303
Elastomer	NBR 70

Pump and Motor specification optional	
With Booster System	None
With Complack	None
Special Material	None
Specail Voltage	None

Protection system required	
External Flout switch	YES
Minimum Starter	Starter
	SWT



Weight : 7 Kg

Standard Approve



Applicant:

- Rain Seepage Sump Pit And Catch Tank Water
- Pump Out Garden And Vegetable-Garden Mini
- Flood Irrigation System Rainwater Catch Tank
- Pump Down White Water Pump Over From Reservoirs
- And Vats. Pumping Aggressive Liquid

Dimention in

	mm
A	1 1/4" Inch
B	154
C	41
D	241
E	228
F	40
G	132