

Pump Data

Brand : JMS
 Model : JRVEK / S 150 M
 Flow Rate: 30 GPM
 Head Rate: 38 FEET
 Head Max: 46 FEET
 Flow Min: 5 GPM
 Head Min: 3.5 FEET
 RPM : 3450 rpm
 Normal Power P1 : 3 HP
 Fluid: Water
 Fluid Temperature: at about 25 °C.
 Density: water 1.0 kg/Dm³
 Fluid Viscosity: 8.90 x 10-4 Pa-s
 With Float switch: NONE
 Kind of Working: Submersible
 Delivery size: 2" NPT
 Suction size: With Strainer
 Made in : ITALY

Motor Data

Power P2:
 Power P1: 2.2 KW
 Phase (PH): 1
 Rate Voltage : 230 V
 Capacitor Need : 30 µF
 Ferequency : 60 Hz
 Rated Speed (rpm): 3450 rpm
 Max. I (A): 10 A
 Cos φ : 0.95
 Degree of Protection (IP): IP 68
 Safety Protection Included: F
 length of Cable : 10 M
 Kind of Plug : NONE
 Ambient Temp : 40°C = 104°F

Other Pump Data

Impeller Size (mm) : *
 Pressuer Rating : PN 16
 Min. Fluid Temp : 10°C = 50°F
 Max. Fluid Temp : 35°C = 95°F
 Ambient Temp : 40°C = 104°F
 Humidity % : 100%

Special Specification

Installation status : Vertical
 Variable frequency : NONE
 Solid Passage : 50 mm

Materials

Pump Body : Stainless steel
 Support: Stainless steel
 Impeller: Stainless steel
 Mechanical Seal: Silicon/Carbide
 Rubber: VITON
 Pump Shaft: Stainless steel
 Strainer: Stainless steel
 outer cover: Stainless steel
 Motor Case: Stainless steel

Shaft Seal

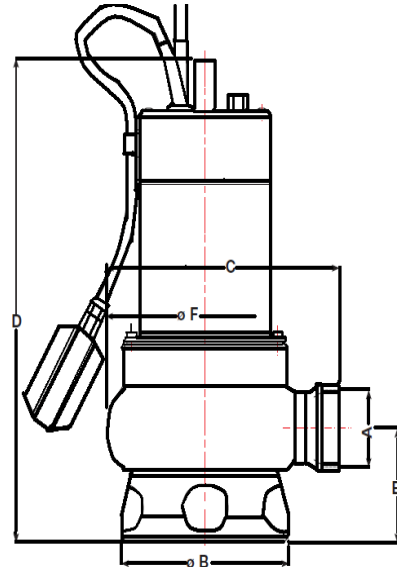
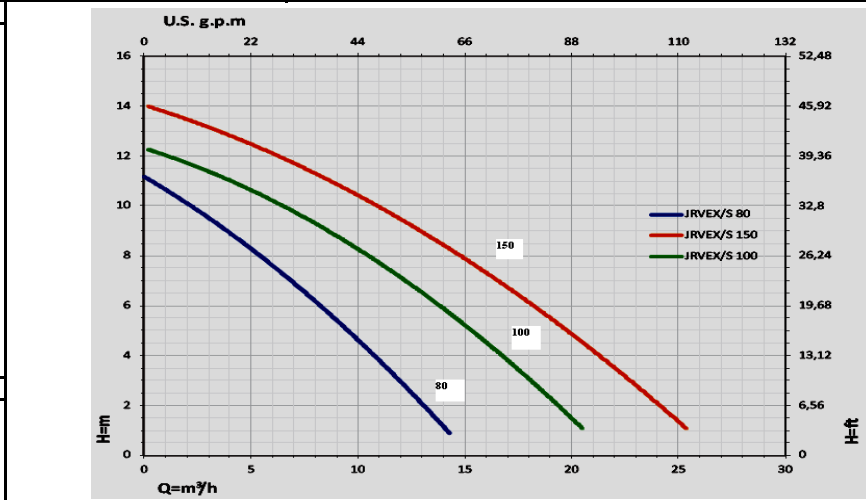
Type: *
 Stationary Part: Stainless steel
 Rotating Part: Stainless steel
 Elastomer: VITON

Pump and Motor specification optional

With Booster System: None
 With Complack: None
 Special Material: None
 Specail Voltage: None

Protection system required

External Flout switch: YES
 Minimum Starter: Starter SWT



Weight : 16 Kg

Standard Approve



Applicant:

Decantation Pit Sewage Pit and Slurry Collection
 Pit Pump out Pump out of Lavatory Foul Water
 with Possible Floating Domestic and Industrial
 Lavatory Black Water Handling Systems
 Pumping of Aggressive Media

Dimention in

	mm
A	2" npt
B	176
C	214
D	398
E	88
F	180