

Date: Page:

Pump Data	
Brand :	JMS
Model :	JRVEX / S 80 M
Flow Rate:	30 GPM
Head Rate:	23 FEET
Head Max:	36 FEET
Flow Max:	62 GPM
RPM :	3450 rpm
Normal Power P1 :	3 HP
Fluid:	Water
Fluid Temperature:	at about 25 °C.
Density:	water 1.0 kg/Dm ³
Fluid Viscosity:	8.90 x 10 ⁻⁴ Pa-s
With Float switch	NONE
Kind of Working:	Submersible
Delivery size	2" NPT
Suction size	With Strainer
Made in :	ITALY

Motor Data	
Power P2:	
Power P1:	1.4 KW
Phase (PH):	1
Rate Voltage :	115 V
Capacitor Need :	20 μF
Ferequency :	60 Hz
Rated Speed (rpm):	3450 rpm
Max. I (A):	12 A
Cos φ :	0.95
Degree of Protection (IP):	IP 68
Safety Protection Included:	F
length of Cable :	10 M
Kind of Plug :	NONE
Ambient Temp :	40°C = 104°F

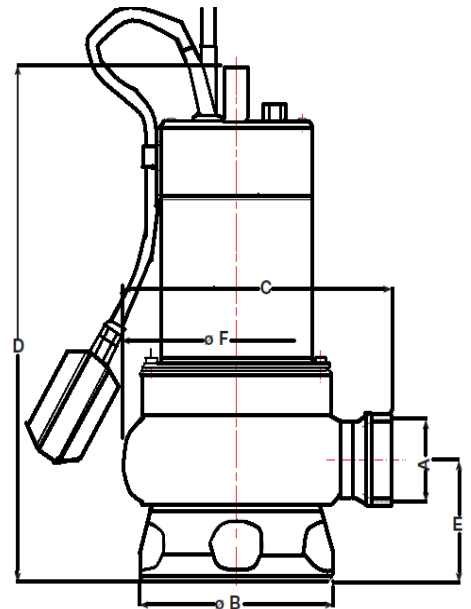
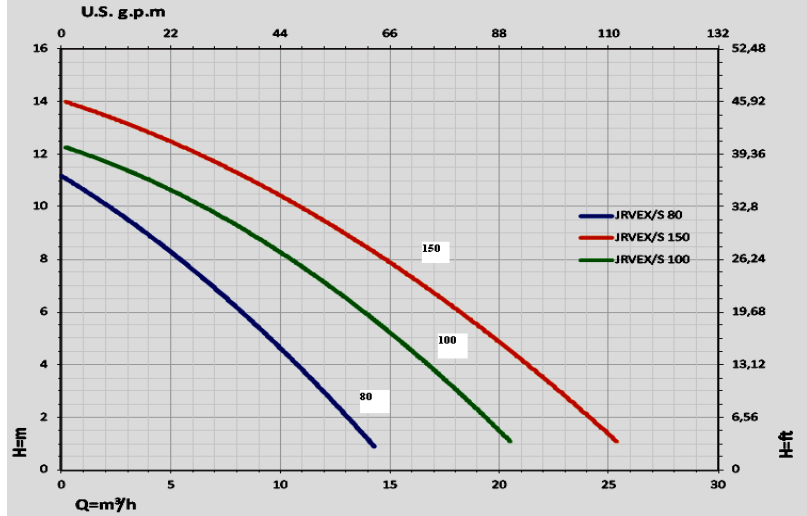
Other Pump Data	
Impeller Size (mm) :	*
Pressuer Rating :	PN 16
Min. Fluid Temp :	10°C = 50°F
Max. Fluid Temp :	35°C = 95°F
Ambient Temp :	40°C = 104°F
Humidity % :	100%

Special Specification	
Installation status :	Vertical
Variable frequency :	NONE
Solid Passage	30 mm

Materials	
Pump Body :	Stainless steel
Support:	Stainless steel
Impeller	Stainless steel
Mechanical Seal:	Silicon/Carbide
Rubber	VITON
Pump Shaft:	Stainless steel
Strainer	Stainless steel
outer cover:	Stainless steel
Motor Case:	Stainless steel

Shaft Seal	
Type:	*
Stationary Part	Stainless steel
Rotating Part	Stainless steel
Elastomer	VITON

Pump and Motor specification optional	
With Booster System	None
With Compack	None
Special Material	None
Specail Voltage	None
Protection system required	
External Flout switch	YES
Minimum Starter	Starter SWT



Weight : 12 Kg
Standard Approve
CE

Applicant:
Decantation Pit Sewage Pit and Slurry Collection
Pit Pump out Pump out of Lavatory Foul Water
with Possible Floating Domestic and Industrial
Lavatory Black Water Handling Systems
Pumping of Aggressive Media

Dimention in	
	mm
A	2" npt
B	176
C	214
D	358
E	88
F	180