

**Pump Data**

Brand : JMS  
 Model : JRVEX / S 100 M  
 Flow Rate: 30 GPM  
 Head Rate: 30 FEET  
 Head Max: 40 FEET  
 Flow Max: 91 GPM  
 RPM : 3450 rpm  
 Normal Power P1 : 2.5 HP  
 Fluid: Water  
 Fluid Temperature: at about 25 °C.  
 Density: water 1.0 kg/Dm<sup>3</sup>  
 Fluid Viscosity: 8.90 × 10<sup>-4</sup> Pa·s  
 With Float switch: NONE  
 Kind of Working: Submersible  
 Delivery size: 2" NPT  
 Suction size: With Strainer  
 Made in : ITALY

**Motor Data**

Power P2:  
 Power P1: 1.8 KW  
 Phase (PH): 1  
 Rate Voltage : 115 V  
 Capacitor Need : 30 μF  
 Ferequency : 60 Hz  
 Rated Speed (rpm): 3450 rpm  
 Max. I (A): 16 A  
 Cos φ : 0.95  
 Degree of Protection (IP): IP 68  
 Safety Protection Included: F  
 length of Cable : 10 M  
 Kind of Plug : NONE  
 Ambient Temp : 40°C = 104°F

**Other Pump Data**

Impeller Size (mm) : \*  
 Pressuer Rating : PN 16  
 Min. Fluid Temp : 10°C = 50°F  
 Max. Fluid Temp : 35°C = 95°F  
 Ambient Temp : 40°C = 104°F  
 Humidity % : 100%

**Special Specification**

Installation status : Vertical  
 Variable frequency : NONE  
 Solid Passage : 50 mm

**Materials**

Pump Body : Stainless steel  
 Support: Stainless steel  
 Impeller: Stainless steel  
 Mechanical Seal: Silicon/Carbide  
 Rubber: VITON  
 Pump Shaft: Stainless steel  
 Strainer: Stainless steel  
 outer cover: Stainless steel  
 Motor Case: Stainless steel

**Shaft Seal**

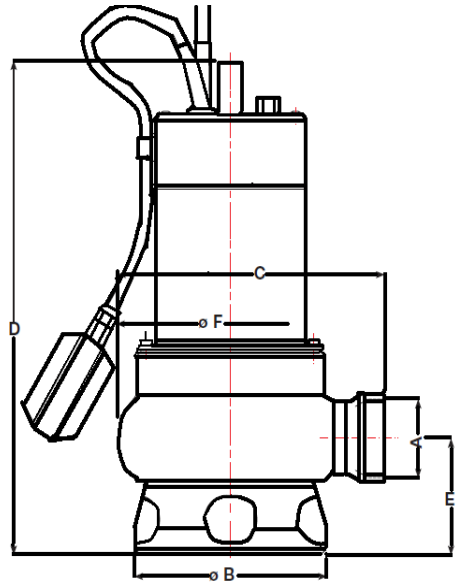
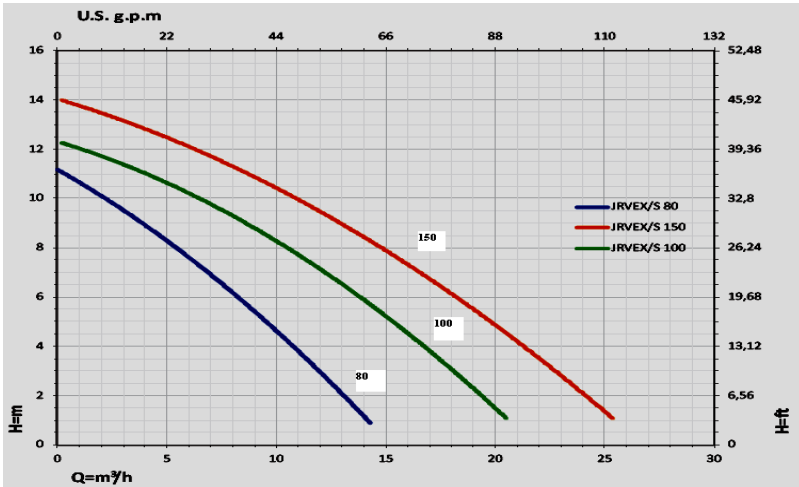
Type: \*  
 Stationary Part: Stainless steel  
 Rotating Part: Stainless steel  
 Elastomer: VITON

**Pump and Motor specification optional**

With Booster System: None  
 With Complack: None  
 Special Material: None  
 Specail Voltage: None

**Protection system required**

External Flout switch: YES  
 Minimum Starter: Starter SWT



Weight : 12.5 Kg  
 Standard Approve  
**CE** **CE**

**Applicant:**

Decantation Pit Sewage Pit and Slurry Collection  
 Pit Pump out Pump out of Lavatory Foul Water  
 with Possible Floating Domestic and Industrial  
 Lavatory Black Water Handling Systems  
 Pumping of Aggressive Media

**Dimention in**

	mm
A	2" npt
B	176
C	214
D	358
E	88
F	180