



Technical Data

Submersible Well Pump - SP 110002 - SS316

Revision no.

Page:
 1

Receiver

From

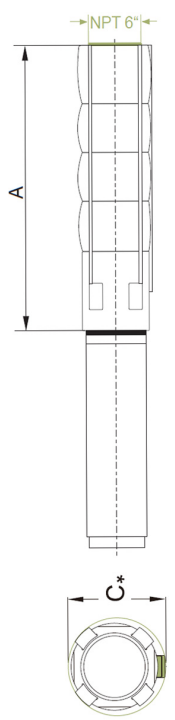
Company name
 Respons. Department
 Person in charge
 Phone number
 Fax no
 E-mail address



Brand: Gol Pumps
Model: SP 110002



Dimensions:



Pump Type	Motor Dia.	Dimensions (inch)			Net Weight (lb)
		A	C*	Pump Discharge	Pump
SP 1100-2	8"	37	9	6" NPT	123

Project	Project ID	Created by	Created on	Last update
---------	------------	------------	------------	-------------



Performance Curves

Submersible Well Pump - SP 110002 - SS316

Revision no. _____

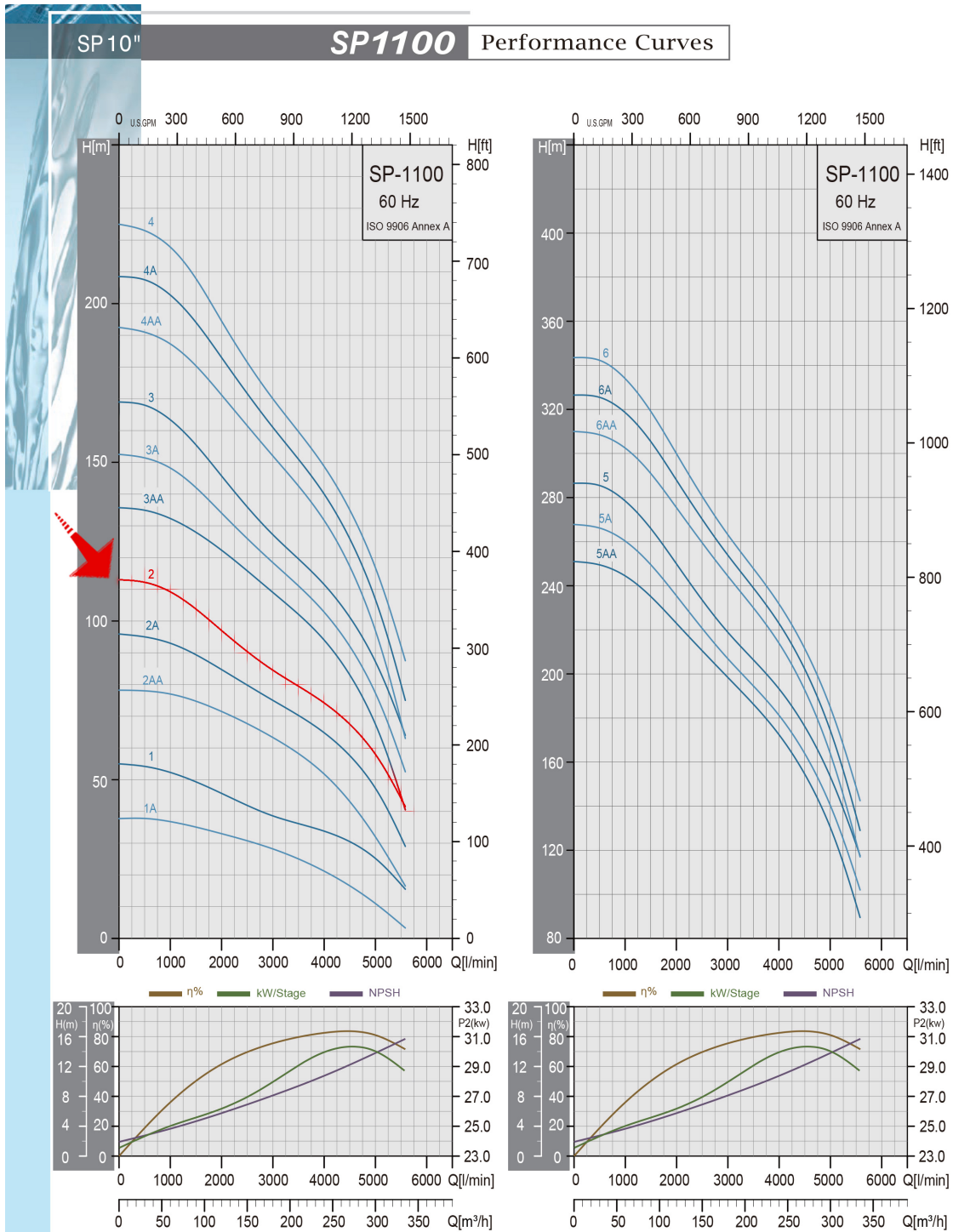
Page: 2

Company name
 Respons. Department
 Person in charge
 Phone number
 Fax no
 E-mail address

Receiver

From

Pump Type	Motor		Q capacity 3450 rpm												
	P2		m³/h	30	60	90	120	150	180	210	240	270	300	330	
	KW	HP	G/min	132	264	396	528	660	792	925	1057	1189	1321	1453	
SP 1100-02	63	90	Head(ft)	367	358	338	318	295	275	259	243	220	190	148	



Project	Project ID	Created by	Created on	Last update
---------	------------	------------	------------	-------------



Parts and Materials

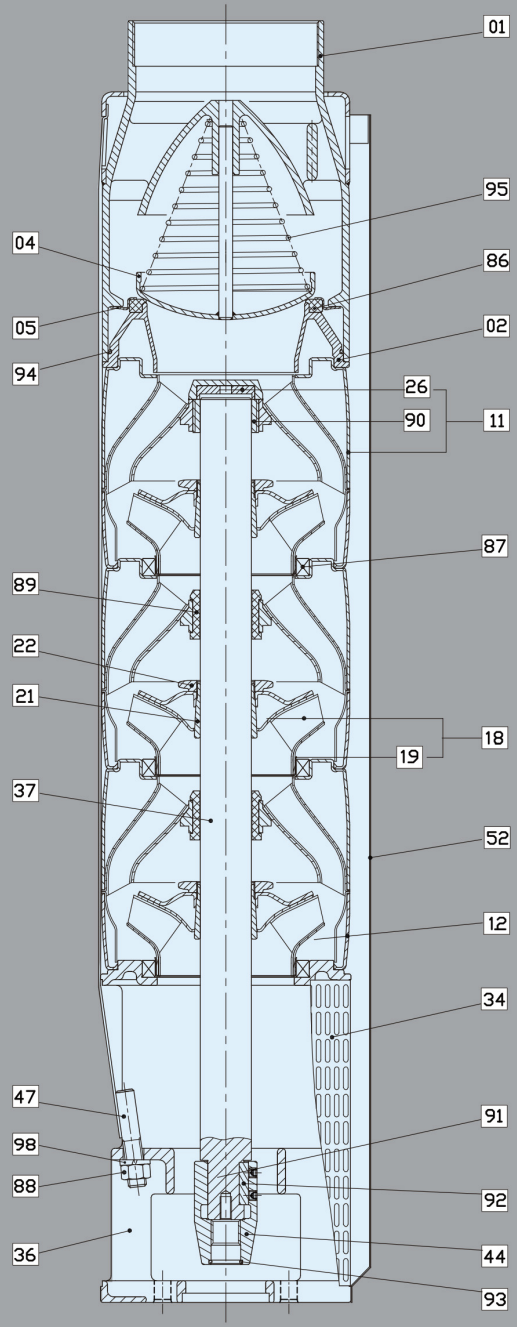
Submersible Well Pump - SP 110002 - SS316

Revision no. _____

Page:
 3

	Receiver	From
Company name		
Respons. Department		
Person in charge		
Phone number		
Fax no		
E-mail address		

Example: SP-1100



Material Specification-10" Pumps

Pos.	Components	Standard
01	Discharge	SUS316
02	Lower Valve Seat Retainer	SUS316
04	Valve Cup	SUS316
05	Upper Valve Seat Retainer	SUS316
11	Upper Diffuser	SUS316
+26	Spacing Washer For Stop Ring	Carbon Fiber+MoS2+PTFE
+90	Upper Bearing	SUS316+NBR
12	Diffuser	SUS316
18	Impeller	SUS316
18	Impeller - A	SUS316
+19	Ring Of Impeller	SUS316
21	Split Cone	SUS316
22	Split Cone Nut	SUS316
34	Strainer - one lead	SUS316
34	Strainer - two leads	SUS316
36	Suction Interconnector - 6"	SUS316
36	Suction Interconnector - 8"	SUS316
37	Shaft	SUS316
44	Coupling - 6"	SUS316
44	Coupling - 8"	SUS316
47	Strap	SUS316
52	Cable Guard	SUS316
86	Valve Seat	NBR70
87	Neck Ring	PPS+NBR
88	Nut	SUS316
89	Bearing	NBR70
91	Screw - 6"	SUS316
91	Screw - 8"	SUS316
92	Key - 6"	SUS316
92	Key - 8"	SUS316
93	O-ring - 6"	NBR70
93	O-ring - 8"	NBR70
94	O-ring	NBR70
95	Spring	SUS316
98	Spring Washer	

*AISI 316 stainless steel pumps are available on request.

Project	Project ID	Created by	Created on	Last update
---------	------------	------------	------------	-------------



Motor Technical Datasheet

Submersible Well Pump - SP 110002 - SS316

Revision no.

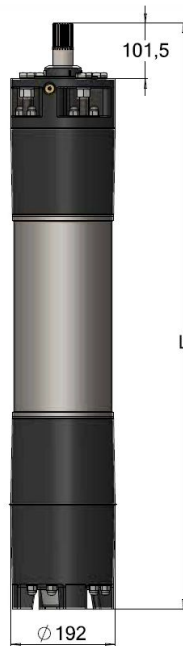
Page:
2

Receiver

From

Company name
 Respons. Department
 Person in charge
 Phone number
 Fax no
 E-mail address

Motor	Pmax		Un	In	Ia	n (Eff) %			cos (PF)			r.p.m	Max. water T in °F			Cable	Cable L	
	HP	KW	V	A	A	2/4	3/4	4/4	2/4	3/4	4/4	n	N	PVC	PE2+PA	HT	(inch^2)	ft
11F90XC	90	66	440	119	476	86.2	87	86.2	0.72	0.82	0.85	3473	60000	86	140	167	/	11
			460	114	456	87	88	87.1	0.72	0.81	0.84	3483					(0.6)x3	

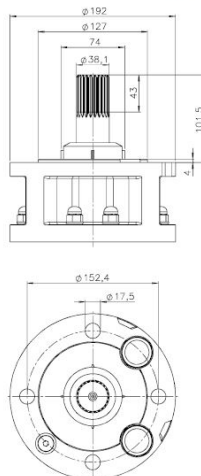


Motor Type	Lenght	Net weight	Case dimensions (inch)			Gross weight
	inch	lb	A	B	C	lb
8F90XC	60	463	61	11	16	496

10" Coupling - Nema:

Motore 8" · Attacco 8" - NEMA

8" Motor - 8" Coupling - NEMA
 Moteur 8" - Accouplement 8" - NEMA
 Motor 8" - Acoples 8" - NEMA



Project	Project ID	Created by	Created on	Last update
---------	------------	------------	------------	-------------



Motor Material

Submersible Well Pump - SP 110002 - SS316

Revision no.

Page:
 2

Receiver

From

Company name
 Respons. Department
 Person in charge
 Phone number
 Fax no
 E-mail address

Pos.	Qt.	Components	Material AISI 316
1	1	Sand guard	NBR 90
2	1/2	Ring nut	AISIS 316 / Wr 14401
3	2/4	Cable-press	Plastic
4	1/2	Cable-press gasket	NBR 45
5	4	Nut	AISIS 316 / Wr 14401
6	4	Washer	AISIS 316 / Wr 14401
7	1	Upper flange	AISIS 316 / Wr 14401
8	4	Screw	AISIS 316 / Wr 14401
9	1	Screw	AISIS 316 / Wr 14401
10	1	Mechanical Seal	SIC + SIC + NBR
11	4	Gasket	Paper
12	1	Upper support	AISIS 316 / Wr 14401
13	2/3/4	Seal bushing	Graphite
14	1	Stator	AISIS 316 / Wr 14401
15	3/6	Single core round cable	EPR 0.6-1 KV
16	8	Upper tension rod	AISIS 316 / Wr 14401
17	16	Gasket	/
18	16	Washer	AISIS 316 / Wr 14401
19	16	Nut	AISIS 316 / Wr 14401
20	2	Washer	/
21	1	Plug	AISIS 316 / Wr 14401
21A	1	Valve	AISIS 316 / Wr 14401
22	1	Rotor	Duplex / Wr 14462
23	1	Key	Iron
24	1	Lower support	AISIS 316 / Wr 14401
25	1	Striker disk	Plastic
26	1	Screw	AISIS 304 / Wr 14301

Project	Project ID	Created by	Created on	Last update
---------	------------	------------	------------	-------------



Motor Technical Datasheet

Submersible Well Pump - SP 110002 - SS316

Revision no.

Page:
 2

Receiver

From

Company name
 Respons. Department
 Person in charge
 Phone number
 Fax no
 E-mail address

27	4	Thrust disk	Steel/Graphite/Resin
28	1	Seeger ring	Iron
29	1	Thrust sliding	AISIS 420
30	6	Base	AISIS 316 / Wr 14401
31	1	Screw	Iron
32	1	Nut	Iron
33	1	Internal over	AISIS 304 / Wr 14301
34	1	Membrane	NBR 60
35	1	External cover	AISIS 316 / Wr 14401
36	4	Screw	AISIS 316 / Wr 14401
37	8	Lower tension rod	AISIS 316 / Wr 14401
38	1	Complete thrust bearing	/
39	1	Protective ring	PA 66

Project	Project ID	Created by	Created on	Last update
---------	------------	------------	------------	-------------