



Technical Data

Submersible Well Pump - SP 110003

Revision no.

Page:
 1

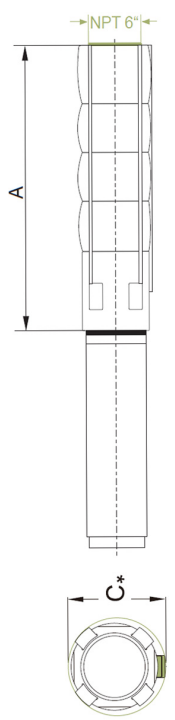
	Receiver	From
Company name		
Respons. Department		
Person in charge		
Phone number		
Fax no		
E-mail address		



Brand: Gol Pumps
Model: SP 110003



Dimensions:



Pump Type	Motor Dia.	Dimensions (inch)			Net Weight (lb)
		A	C*	Pump Discharge	Pump
SP 1100-3	8"	44	9	6" NPT	145

Project	Project ID	Created by	Created on	Last update
---------	------------	------------	------------	-------------



Performance Curves

Submersible Well Pump - SP 110003

Revision no.

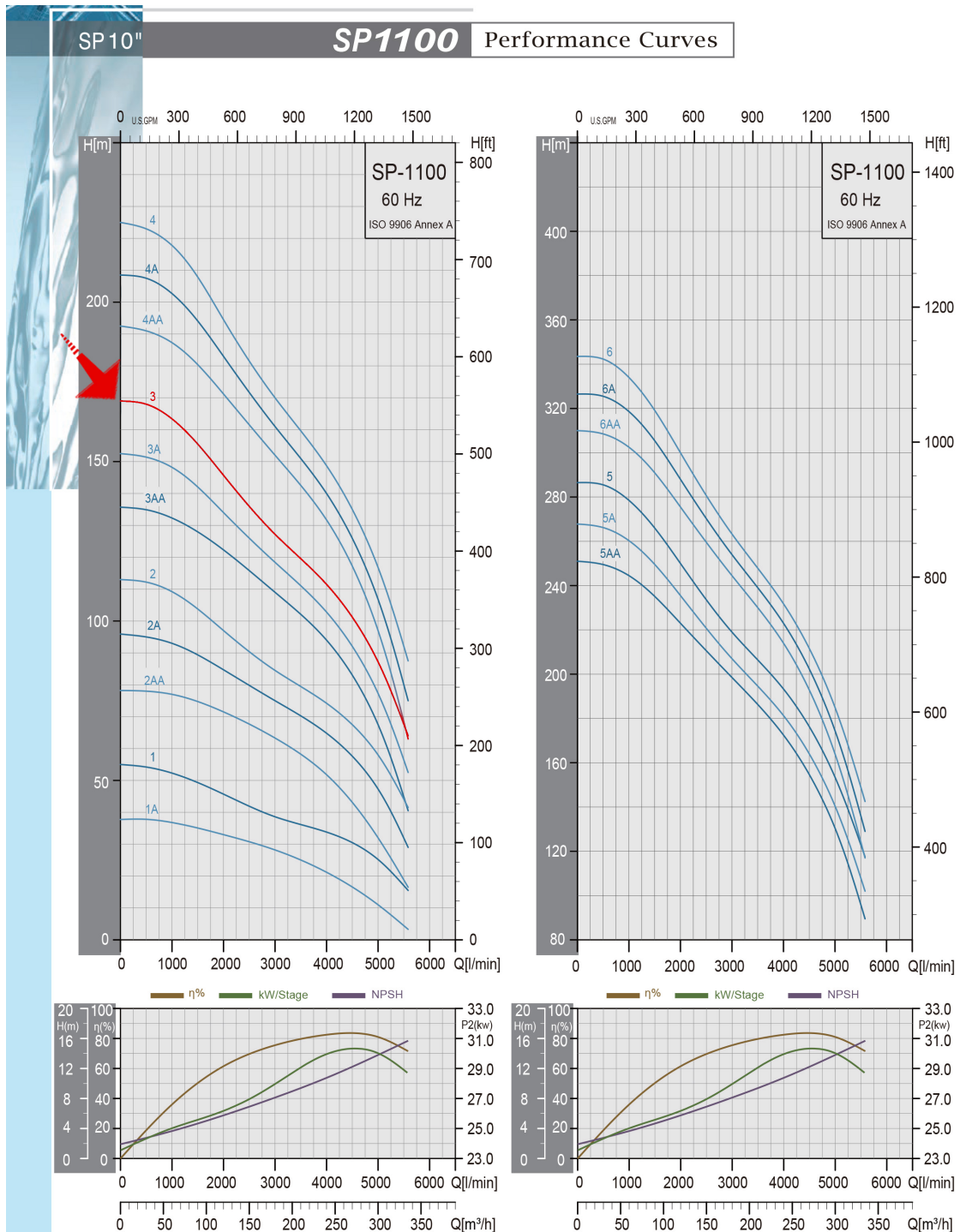
Page:
 2

Company name
 Respons. Department
 Person in charge
 Phone number
 Fax no
 E-mail address

Receiver

From

Pump Type	Motor		Q capacity 3450 rpm													
	P2		m³/h	30	60	90	120	150	180	210	240	270	300	330		
	KW	HP	G/min	132	264	396	528	660	792	925	1057	1189	1321	1453		
SP 1100-03	93	125	Head(ft)	551	535	508	479	1053	417	390	364	331	285	226		



Project	Project ID	Created by	Created on	Last update
---------	------------	------------	------------	-------------



Parts and Materials

Submersible Well Pump - SP 110003

Revision no.

Page:

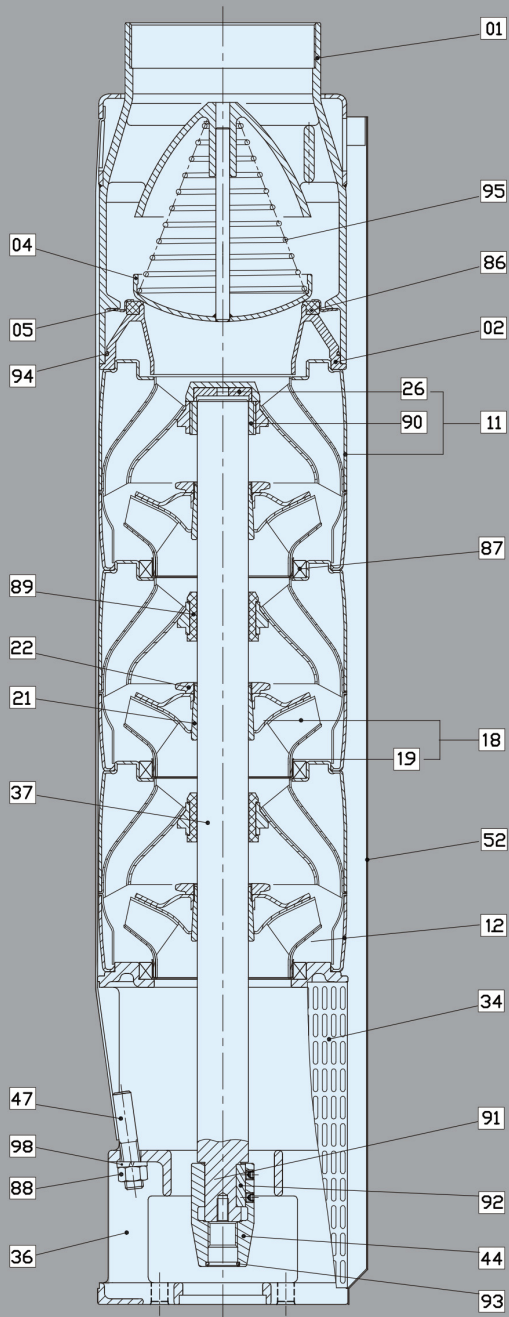
3

Receiver

From

 Company name
 Respons. Department
 Person in charge
 Phone number
 Fax no
 E-mail address

Example: SP-1100



Material Specification-10" Pumps

Pos.	Components	Standard
01	Discharge	SUS316
02	Lower Valve Seat Retainer	SUS316
04	Valve Cup	SUS316
05	Upper Valve Seat Retainer	SUS316
11	Upper Diffuser	SUS316
+26	Spacing Washer For Stop Ring	Carbon Fiber+MoS2+PTFE
+90	Upper Bearing	SUS316+NBR
12	Diffuser	SUS316
18	Impeller	SUS316
18	Impeller - A	SUS316
+19	Ring Of Impeller	SUS316
21	Split Cone	SUS316
22	Split Cone Nut	SUS316
34	Strainer - one lead	SUS316
34	Strainer - two leads	SUS316
36	Suction Interconnector - 6"	SUS316
36	Suction Interconnector - 8"	SUS316
37	Shaft	SUS316
44	Coupling - 6"	SUS316
44	Coupling - 8"	SUS316
47	Strap	SUS316
52	Cable Guard	SUS316
86	Valve Seat	NBR70
87	Neck Ring	PPS+NBR
88	Nut	SUS316
89	Bearing	NBR70
91	Screw - 6"	SUS316
91	Screw - 8"	SUS316
92	Key - 6"	SUS316
92	Key - 8"	SUS316
93	O-ring - 6"	NBR70
93	O-ring - 8"	NBR70
94	O-ring	NBR70
95	Spring	SUS316
98	Spring Washer	

*AISI 316 stainless steel pumps are available on request.

Project

Project ID

Created by

Created on

Last update



Motor Technical Datasheet

Submersible Well Pump - SP 110003

Revision no.

Page:
2

Receiver

From

Company name
Respons. Department
Person in charge
Phone number
Fax no
E-mail address

Motor	Pmax		Un	In	Ia	n (Eff.) %			cos (PF)			r.p.m	Max. water T in °F			Cable (inch^2)	Cable L ft	
	HP	KW				V	A	A	2/4	3/4	4/4		2/4	3/4	4/4			n
8F125	125	93	220	329	1316	87.9	88.4	88.5	0.66	0.77	0.83	3500	70000	86	140	167	/	8
			380	191	764	87.9	88.4	88.5	0.66	0.77	0.83	3500						
			440	165	660	87.1	87.8	87.6	0.67	0.78	0.84	3487						
			460	158	632	87.9	88.4	88.5	0.66	0.77	0.83	3500						
			575	126	504	87.9	88.4	88.5	0.66	0.77	0.83	3500						

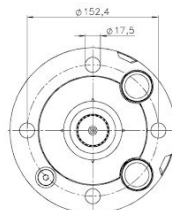
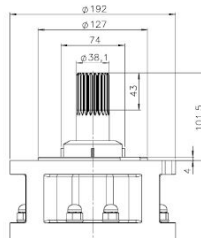


Motor Type	Lenght	Net weight lb	Case dimensions (inch)			Gross weight lb
	inch		A	B	C	
8F125	70	553	71	11	16	591

10" Coupling - Nema:

Motore 8" · Attacco 8" - NEMA

8" Motor - 8" Coupling - NEMA
Moteur 8" - Accouplement 8" - NEMA
Motor 8" - Acoples 8" - NEMA



Project

Project ID

Created by

Created on

Last update



Motor Material

Submersible Well Pump - SP 110003

Revision no.

Page:

2

Receiver

From

 Company name
 Respons. Department
 Person in charge
 Phone number
 Fax no
 E-mail address

Pos.	Qt.	Components	Material AISI 316
1	1	Sand guard	NBR 90
2	1/2	Ring nut	AISIS 316 / Wr 14401
3	2/4	Cable-press	Plastic
4	1/2	Cable-press gasket	NBR 45
5	4	Nut	AISIS 316 / Wr 14401
6	4	Washer	AISIS 316 / Wr 14401
7	1	Upper flange	AISIS 316 / Wr 14401
8	4	Screw	AISIS 316 / Wr 14401
9	1	Screw	AISIS 316 / Wr 14401
10	1	Mechanical Seal	SIC + SIC + NBR
11	4	Gasket	Paper
12	1	Upper support	AISIS 316 / Wr 14401
13	2/3/4	Seal bushing	Graphite
14	1	Stator	AISIS 316 / Wr 14401
15	3/6	Single core round cable	EPR 0.6-1 KV
16	8	Upper tension rod	AISIS 316 / Wr 14401
17	16	Gasket	/
18	16	Washer	AISIS 316 / Wr 14401
19	16	Nut	AISIS 316 / Wr 14401
20	2	Washer	/
21	1	Plug	AISIS 316 / Wr 14401
21A	1	Valve	AISIS 316 / Wr 14401
22	1	Rotor	Duplex / Wr 14462
23	1	Key	Iron
24	1	Lower support	AISIS 316 / Wr 14401
25	1	Striker disk	Plastic
26	1	Screw	AISIS 304 / Wr 14301

Project

Project ID

Created by

Created on

Last update



Motor Technical Datasheet

Submersible Well Pump - SP 110003

Revision no.

Page:
 2

Receiver	From

Company name
 Respons. Department
 Person in charge
 Phone number
 Fax no
 E-mail address

27	4	Thrust disk	Steel/Graphite/Resin
28	1	Seeger ring	Iron
29	1	Thrust sliding	AISIS 420
30	6	Base	AISIS 316 / Wr 14401
31	1	Screw	Iron
32	1	Nut	Iron
33	1	Internal over	AISIS 304 / Wr 14301
34	1	Membrane	NBR 60
35	1	External cover	AISIS 316 / Wr 14401
36	4	Screw	AISIS 316 / Wr 14401
37	8	Lower tension rod	AISIS 316 / Wr 14401
38	1	Complete thrust bearing	/
39	1	Protective ring	PA 66

Project	Project ID	Created by	Created on	Last update
---------	------------	------------	------------	-------------