



# Technical Data

## Submersible Well Pump - SP 40004 - SS316

Revision no.

Page:  
 1

Receiver

From

Company name  
 Respons. Department  
 Person in charge  
 Phone number  
 Fax no  
 E-mail address

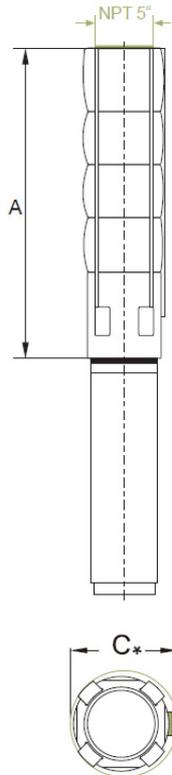




**Brand: Gol Pumps**  
**Model: SP 40004**



### Dimensions:



Pump Type	Motor Dia.	Dimensions (inch)			Net Weight (lb)
		A	C*	Pump Discharge	Pump
SP 400-04	6"	39.5	7	5" NPT	79

Project	Project ID	Created by	Created on	Last update
---------	------------	------------	------------	-------------



# Performance Curves

## Submersible Well Pump - SP 40004 - SS316

Revision no.

Page:  
 2

Company name  
 Respons. Department  
 Person in charge  
 Phone number  
 Fax no  
 E-mail address

Receiver

---

---

---

---

---

From

---

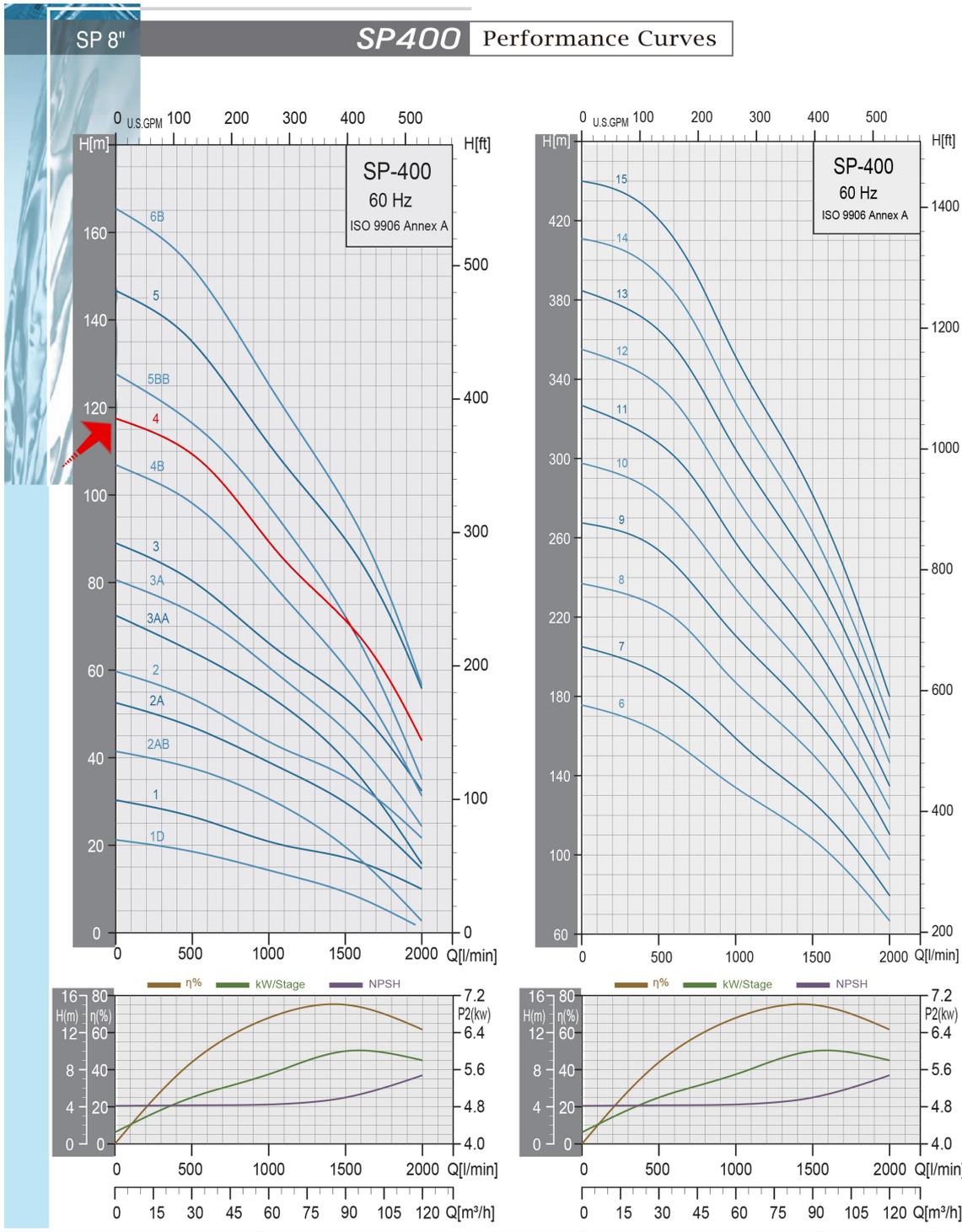
---

---

---

---

Pump Type	Motor		Q capacity 3450 rpm												
	P2		m <sup>3</sup> /h	18	24	30	36	42	48	60	72	84	96	108	120
	KW	HP	G/min	79	105.6	132	158.5	185	211	264	317	370	423	475	528
SP 400-04	22	30	Head(ft)	371	367	358	348	338	321	292	269	246	223	187	144



Project	Project ID	Created by	Created on	Last update
---------	------------	------------	------------	-------------



# Parts and Materials

## Submersible Well Pump - SP 40004 - SS316

Revision no. \_\_\_\_\_

Page: 3

Receiver \_\_\_\_\_

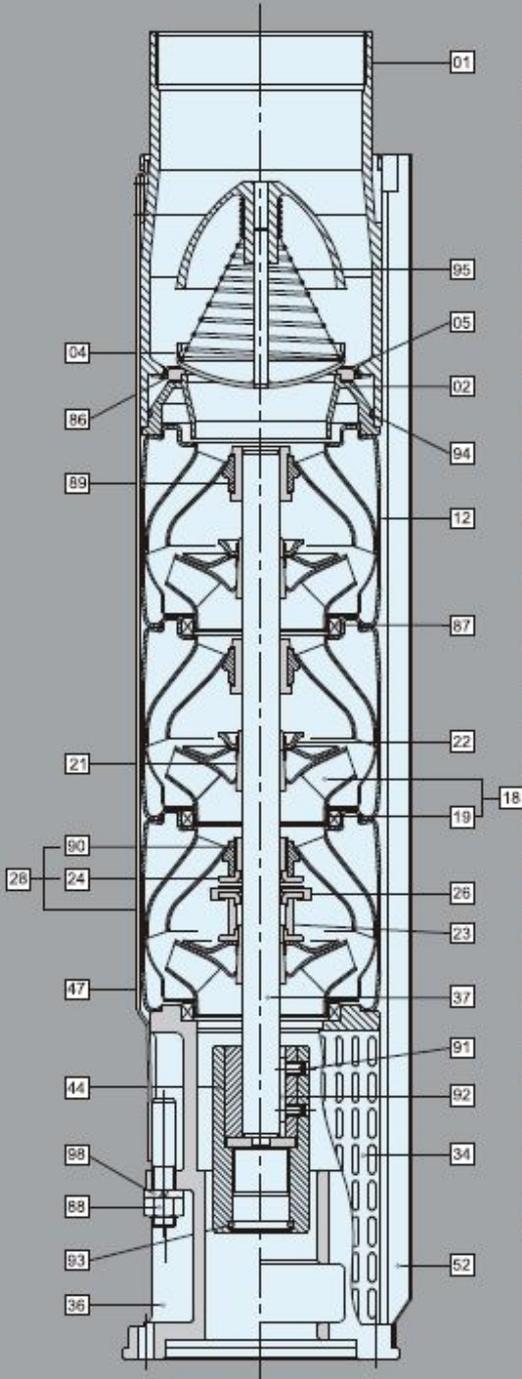
From \_\_\_\_\_

Company name \_\_\_\_\_  
 Respons. Department \_\_\_\_\_  
 Person in charge \_\_\_\_\_  
 Phone number \_\_\_\_\_  
 Fax no \_\_\_\_\_  
 E-mail address \_\_\_\_\_



# General Data

Example: SP500



## Material Specification-8" Pumps

Pos.	Components	Standard
01	Discharge	SUS304 / SUS316
02	Lower Valve Seat Retainer	SUS304 / SUS316
04	Valve Cup	SUS304 / SUS316
05	Upper Valve Seat Retainer	SUS304 / SUS316
12	Diffuser	SUS304 / SUS316
18	Impeller	SUS304 / SUS316
19	Ring Of Impeller	SUS304 / SUS316
21	Split Cone	SUS304 / SUS316
22	Split Cone Nut	SUS304 / SUS316
23	Nut For Stop Ring	SUS304 / SUS316
24	Stop Ring	SUS304 / SUS316
26	Spacing Washer For Stop Ring	Carbon+Graphite+PTFE
28	Bottom Diffuser	SUS304 / SUS316
34	Strainer	SUS304 / SUS316
36	Suction Interconnector	SUS304 / SUS316
37	Pump Shaft	SUS431 / SUS316
44	Coupling	SUS304 / SUS316
47	Strap	SUS304 / SUS316
52	Cable Guard	SUS304 / SUS316
86	Valve Seat	NBR
87	Neck Ring	SUS304+NBR / SUS316+NBR
88	Nut	SUS304 / SUS316
89	Bearing	NBR
90	Bearing	US304+NBR / SUS316+NBR
91	Screw	SUS304 / SUS316
92	Key	SUS304 / SUS316
93	O-ring	NBR
94	O-ring	NBR
95	Spring	SUS304 / SUS316
98	Spring Washer	SUS304 / SUS316

\*AISI 316 stainless steel pumps are available on request.

Project _____	Project ID _____	Created by _____	Created on _____	Last update _____
---------------	------------------	------------------	------------------	-------------------



# Parts and Materials

## Submersible Well Pump - SP 40004 - SS316

Revision no.

Page:  
 3

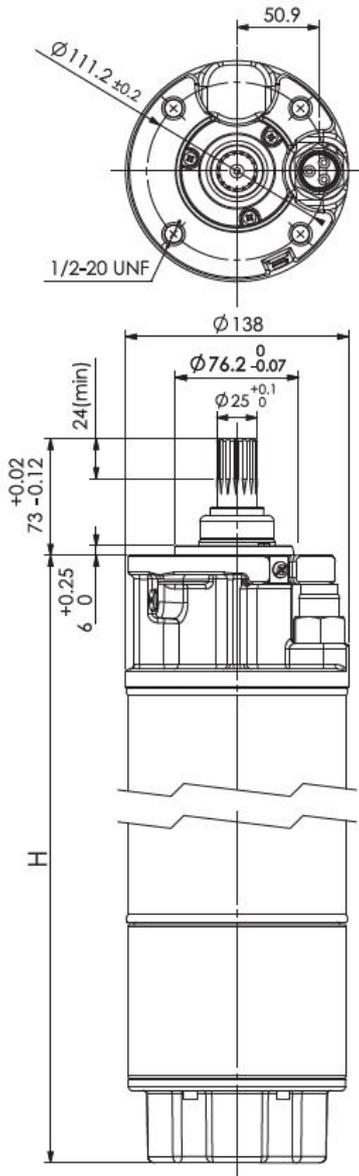
Receiver

From

Company name  
 Respons. Department  
 Person in charge  
 Phone number  
 Fax no  
 E-mail address



Motor	P2		S.F	Voltage	In	Phase	Imax	Istart	PF%		Efficiency%		Nn	Thrust	Cable		N.W	G.W
	HP	KW		V	A	~	A	A	allowable Load	overload Factor	allowable Load	overload Factor	RPM	N	M	AWG	kg	kg
6CN7366D	30	22	1.15	460	37.6	Three Phase	38	43	0.87	0.88	84.3	83.6	3450	15500N	4	10	70.63	78.17



316SS

HP	KW	H(INCH)
30	22	35

Project	Project ID	Created by	Created on	Last update
---------	------------	------------	------------	-------------



# Parts and Materials

## Submersible Well Pump - SP 40004 - SS316

Revision no.

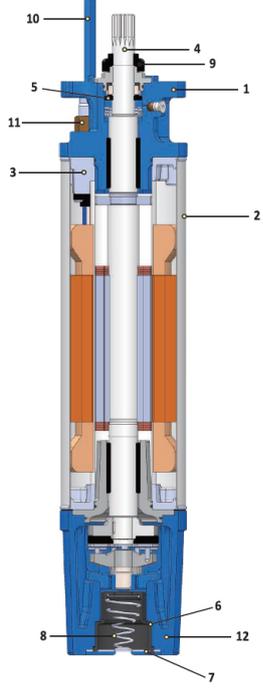
Page:  
 3

Receiver

From

Company name  
 Respons. Department  
 Person in charge  
 Phone number  
 Fax no  
 E-mail address





NO.	Component	6CN
1	Upper Bracket	AISI 316
2	Stator Shell	AISI 316
3	Stator Ends	AISI 316
4	Shaft	AISI 630
5	Mechanical Seal	SiC / SiC
6	Diaphragm	NBR
7	End Cover	AISI 316
8	Spring	AISI 316
9	Sand Slinger	NBR
10	Lead Wire (Cable)	XLPE
11	Cable Jam Nut	AISI 316
12	Lower Bracket	AISI 316 over Iron
	Lead Potting	Epoxy
	Mechanical Seal / Rubber Components	NBR
	Thrust Pad	AISI 420

Project	Project ID	Created by	Created on	Last update
---------	------------	------------	------------	-------------