



Technical Data

Submersible Well Pump - SP 50003 - SS316

Revision no.

Page:
 1

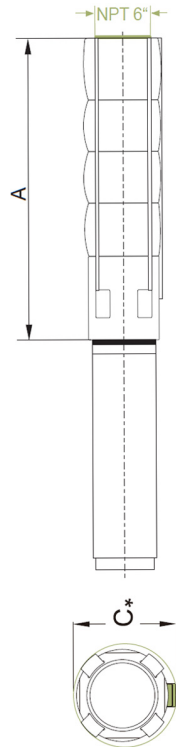
	Receiver	From
Company name	<input style="width: 100%;" type="text"/>	<input style="width: 100%;" type="text"/>
Respons. Department	<input style="width: 100%;" type="text"/>	<input style="width: 100%;" type="text"/>
Person in charge	<input style="width: 100%;" type="text"/>	<input style="width: 100%;" type="text"/>
Phone number	<input style="width: 100%;" type="text"/>	<input style="width: 100%;" type="text"/>
Fax no	<input style="width: 100%;" type="text"/>	<input style="width: 100%;" type="text"/>
E-mail address	<input style="width: 100%;" type="text"/>	<input style="width: 100%;" type="text"/>



Brand: Gol Pumps
Model: SP 50003



Dimensions:



Pump Type	Motor Dia.	Dimensions (inch)			Net Weight (lb)
		A	C*	Pump Discharge	Pump
SP 500-03	6"	34	7	5" NPT	71

Project	Project ID	Created by	Created on	Last update
---------	------------	------------	------------	-------------



Performance Curves

Submersible Well Pump - SP 50003 - SS316

Revision no.

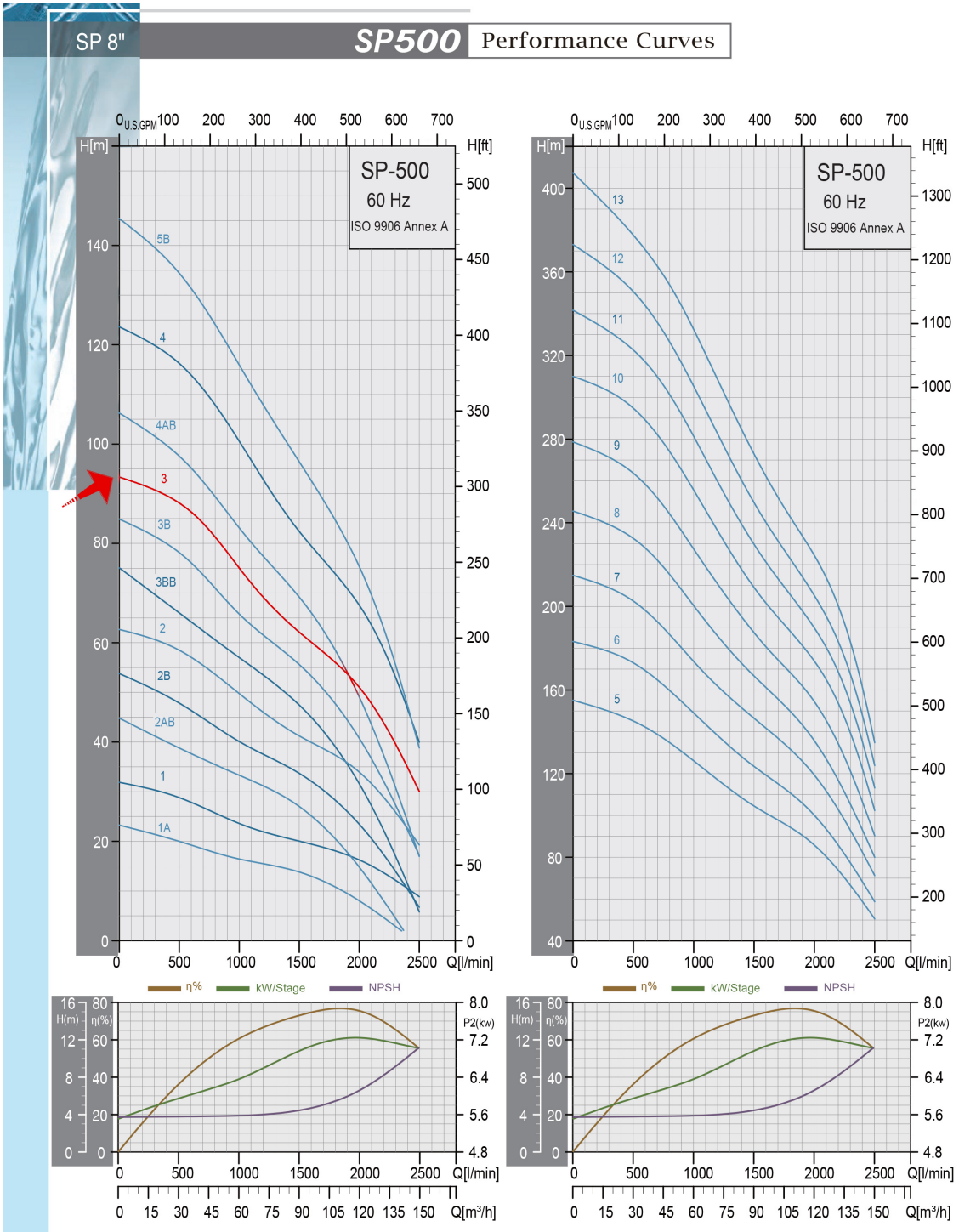
Page:
 2

Company name
 Respons. Department
 Person in charge
 Phone number
 Fax no
 E-mail address

Receiver

From

Pump Type	Motor		Q capacity 3450 rpm												
	P2		m ³ /h	18	30	42	54	66	78	90	102	114	126	138	150
	KW	HP	G/min	79	132	185	238	290	343	396	449	502	555	607	660
SP 500-03	22	30	Head(ft)	298	289	275	256	236	216	203	190	177	157	131	98



Project	Project ID	Created by	Created on	Last update
---------	------------	------------	------------	-------------



Parts and Materials

Submersible Well Pump - SP 5003 - SS316

Revision no. _____

Page: 3

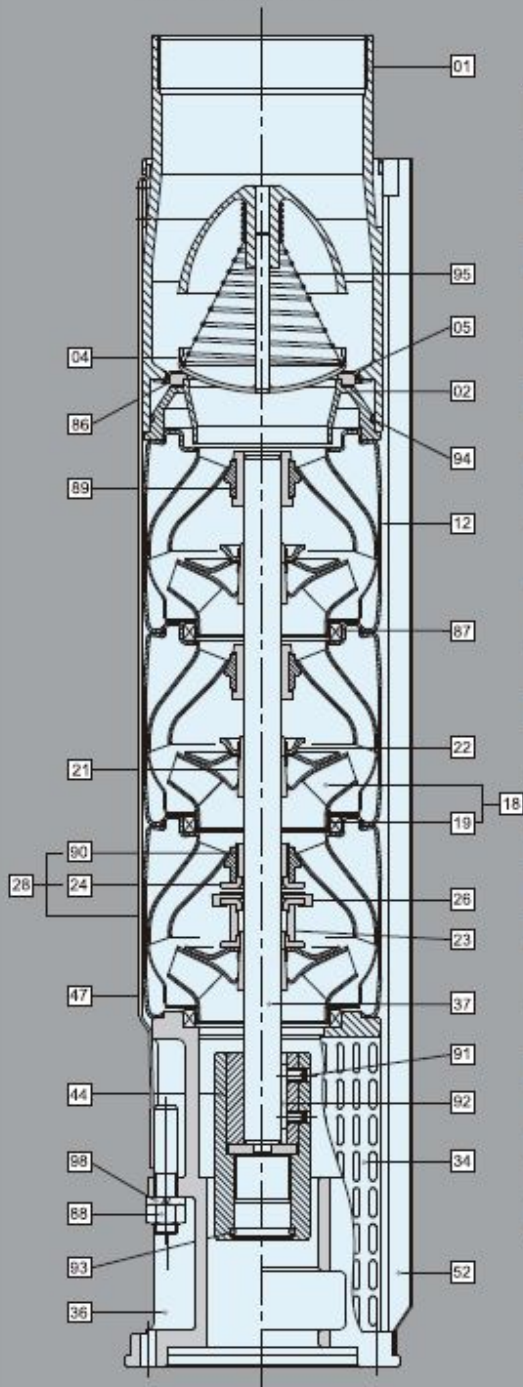
Company name
 Respons. Department
 Person in charge
 Phone number
 Fax no
 E-mail address

Receiver

From

General Data

Example: SP500



Material Specification-8" Pumps

Pos.	Components	Standard
01	Discharge	SUS304 / SUS316
02	Lower Valve Seat Retainer	SUS304 / SUS316
04	Valve Cup	SUS304 / SUS316
05	Upper Valve Seat Retainer	SUS304 / SUS316
12	Diffuser	SUS304 / SUS316
18	Impeller	SUS304 / SUS316
19	Ring Of Impeller	SUS304 / SUS316
21	Split Cone	SUS304 / SUS316
22	Split Cone Nut	SUS304 / SUS316
23	Nut For Stop Ring	SUS304 / SUS316
24	Stop Ring	SUS304 / SUS316
26	Spacing Washer For Stop Ring	Carbon+Graphite+PTFE
28	Bottom Diffuser	SUS304 / SUS316
34	Strainer	SUS304 / SUS316
36	Suction Interconnector	SUS304 / SUS316
37	Pump Shaft	SUS431 / SUS316
44	Coupling	SUS304 / SUS316
47	Strap	SUS304 / SUS316
52	Cable Guard	SUS304 / SUS316
86	Valve Seat	NBR
87	Neck Ring	SUS304+NBR / SUS316+NBR
88	Nut	SUS304 / SUS316
89	Bearing	NBR
90	Bearing	US304+NBR / SUS316+NBR
91	Screw	SUS304 / SUS316
92	Key	SUS304 / SUS316
93	O-ring	NBR
94	O-ring	NBR
95	Spring	SUS304 / SUS316
98	Spring Washer	SUS304 / SUS316

*AISI 316 stainless steel pumps are available on request.

Project	Project ID	Created by	Created on	Last update
---------	------------	------------	------------	-------------



Parts and Materials

Submersible Well Pump - SP 50003 - SS316

Revision no.

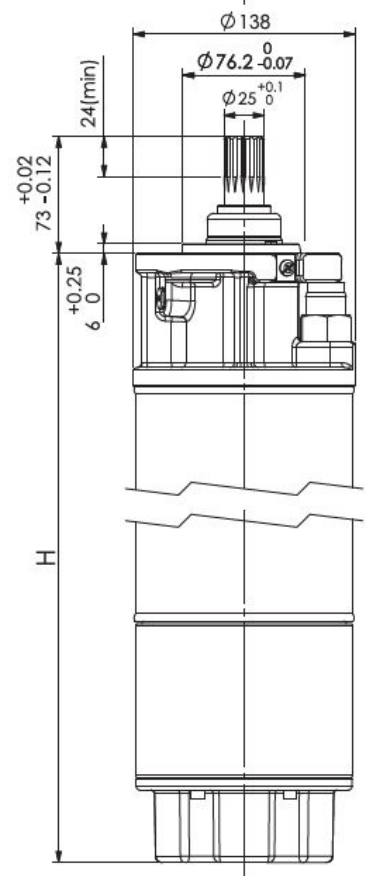
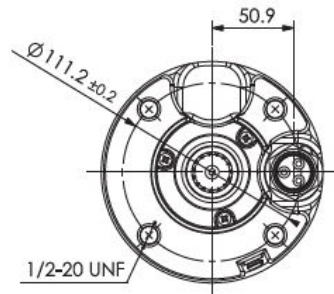
Page:
 3

Receiver

From

Company name
 Respons. Department
 Person in charge
 Phone number
 Fax no
 E-mail address

Motor	P2		S.F	Voltage	In	Phase	Imax	Istart	PF%		Efficiency%		Nn	Thrust	Cable		N.W	G.W
	HP	KW		V	A	~	A	A	allowable Load	overload Factor	allowable Load	overload Factor	RPM	N	M	AWG	kg	kg
6CN7366D	30	22	1.15	460	37.6	Three Phase	43.0	148.2	0.87	0.88	84.3	83.6	3450	15500N	4	10	70.63	78.17



316SS

HP	KW	H(INCH)
30	22	35

Project	Project ID	Created by	Created on	Last update
---------	------------	------------	------------	-------------



Parts and Materials

Submersible Well Pump - SP 50003 - SS316

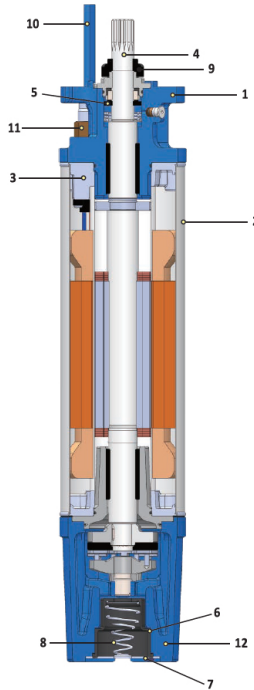
Revision no.

Page:
 3

Receiver

From

Company name
 Respons. Department
 Person in charge
 Phone number
 Fax no
 E-mail address



NO.	Component	6CN
1	Upper Bracket	AISI 316
2	Stator Shell	AISI 316
3	Stator Ends	AISI 316
4	Shaft	AISI 630
5	Mechanical Seal	SiC / SiC
6	Diaphragm	NBR
7	End Cover	AISI 316
8	Spring	AISI 316
9	Sand Slinger	NBR
10	Lead Wire (Cable)	XLPE
11	Cable Jam Nut	AISI 316
12	Lower Bracket	AISI 316 over Iron
	Lead Potting	Epoxy
	Mechanical Seal / Rubber Components	NBR
	Thrust Pad	AISI 420

Project	Project ID	Created by	Created on	Last update
---------	------------	------------	------------	-------------