



# Technical Data

## Vertical Multistage - SBI 150-2

Revision no.

Page:  
1

Receiver

From

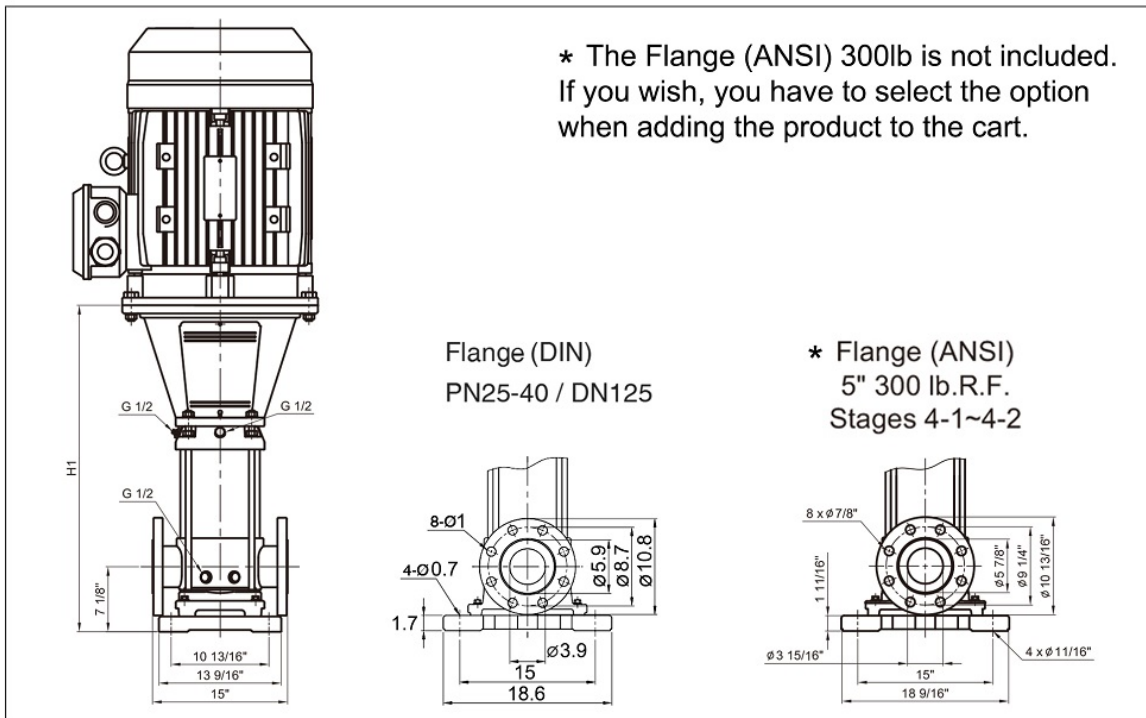
Company name  
Respons. Department  
Person in charge  
Phone number  
Fax no  
E-mail address




**Brand: Gol Pumps**  
**Model: SBI 150-2 (Without Motor)**



### Dimensions:



Pump Installation Size (inch)						
DIN Flange		Port Size		D1	D2	Net Weight
H1	H2	DNA	DNM			Lb.
39.3	27.2	5	5	17.6	12.8	-

Project	Project ID	Created by	Created on	Last update
---------	------------	------------	------------	-------------



# Performance Curves

## Vertical Multistage - SBI 150-2

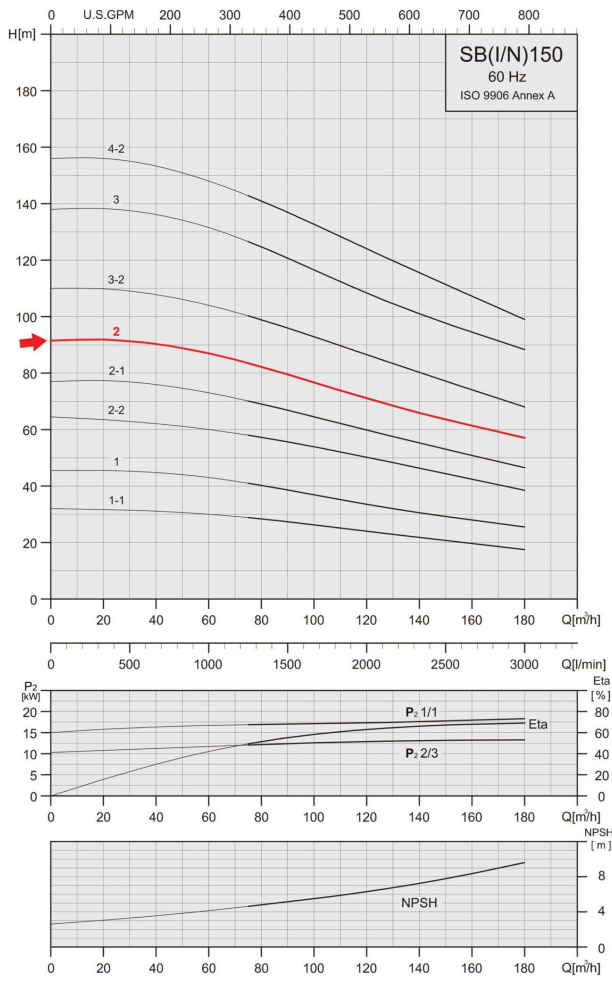
Revision no. \_\_\_\_\_

Page: 2

Receiver	From

Company name  
 Respons. Department  
 Person in charge  
 Phone number  
 Fax no  
 E-mail address

Model	Port Size (in.)		Flow	HP	Volts	Amps	Phase	Max. Head	Max. Suction	Max. PSI
	DNA	DNM	GPH		V	I Max.	Ph	Ft.	Ft.	
<b>SBI 150-2</b>	5	5	47700	60	460	78.2	Three	305	17	134



Project	Project ID	Created by	Created on	Last update
---------	------------	------------	------------	-------------



# Parts and Materials

## Vertical Multistage - SBI 150-2

Revision no.

Page:

3

Receiver

From

 Company name  
 Respons. Department  
 Person in charge  
 Phone number  
 Fax no  
 E-mail address

	Parts List	Material	Standard
	36 Pump Head	Stainless Steel	AISI 304
	53 Motor Bracket (15~60HP)	Cast Iron	ASTM 35B
	(75~100HP)	Cast Iron	ASTM 65-45-12
	17 Bearing Ring	PTFE	
	18 Impeller	Stainless Steel	AISI 304
	37 Shaft	Stainless Steel	AISI 431
	48 Outer Sleeve	Stainless Steel	AISI 304
	82 O-ring for Outer Sleeve	EPDM	
	12 Chamber	Stainless Steel	AISI 304
	24 Neck Ring	PTFE	
	59 Base	Stainless Steel	AISI 304
	62 Base Plate	Cast Iron	ASTM 65-45-12
	62A Base Plate	Cast Iron	ASTM 65-45-12
	57 Mechanical Seal	Cartridge Type	
42 Bottom Bearing Ring	SiC		

Project

Project ID

Created by

Created on

Last update