



# Technical Data

## Vertical Multistage - SBI 5-8

Revision no.

Page:  
1

Receiver

From

Company name  
Respons. Department  
Person in charge  
Phone number  
Fax no  
E-mail address

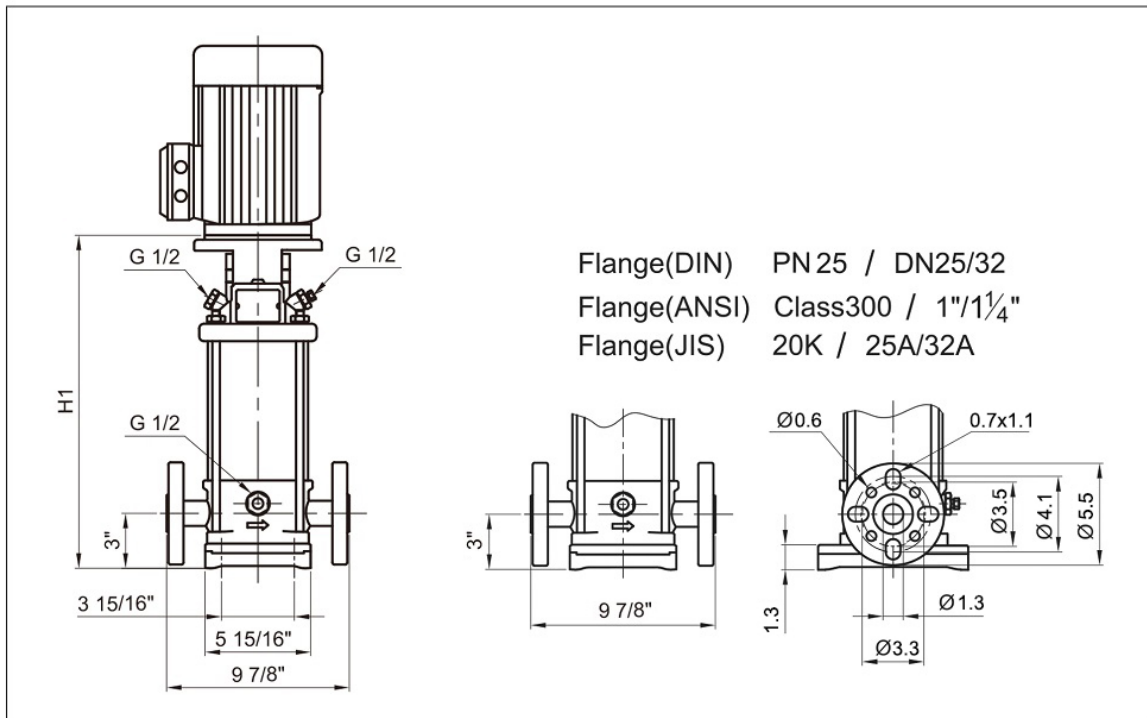




**Brand: Gol Pumps**  
**Model: SBI 5-8**



### Dimensions:



Pump Installation Size (inch)						
DIN Flange		Port Size		D1	D2	Net Weight
H1	H2	DNA	DNM			Lb.
18.3	30	1 1/4	1 1/4	7	5.6	84.9

Project	Project ID	Created by	Created on	Last update
---------	------------	------------	------------	-------------



# Performance Curves

## Vertical Multistage - SBI 5-8

Revision no.

Page:  
2

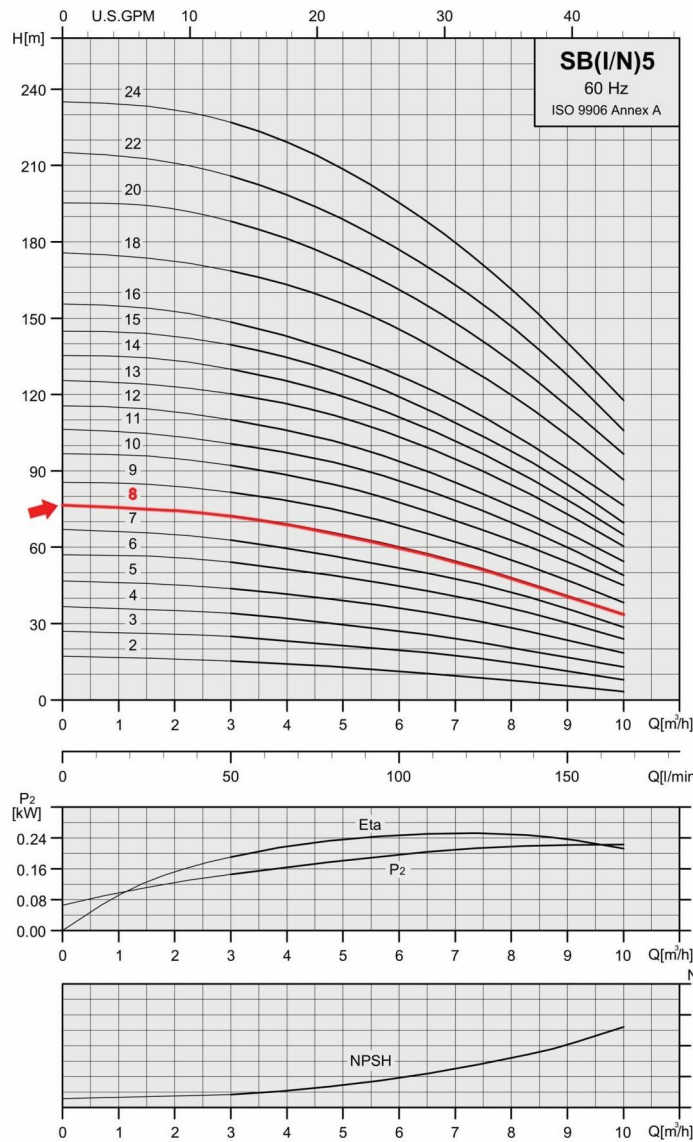
Receiver

From

Company name  
Respons. Department  
Person in charge  
Phone number  
Fax no  
E-mail address



Model	Port Size (in.)		Flow	HP	Volts	Amps	Phase	Max. Head	Max. Suction	Max. PSI
	DNA	DNM	GPH		V	I Max.	Ph	Ft.	Ft.	
SBI 5-8	1 1/4	1 1/4	2640	3	220/440	8.6/4.6	Three	250	17	110



Project	Project ID	Created by	Created on	Last update
---------	------------	------------	------------	-------------



## Parts and Materials

### Vertical Multistage - SBI 5-8

Revision no.	Page:
	3

	<b>Receiver</b>	<b>From</b>
Company name		
Respons. Department		
Person in charge		
Phone number		
Fax no		
E-mail address		

	<b>Parts List</b>	<b>Material</b>	<b>Standard</b>
	36 Pump Head	Cast Iron	ASTM 65-45-12
	56 Pump Head Cover	Stainless Steel	AISI 304
	18 Impeller	Stainless Steel	AISI 304
	37 Shaft	Stainless Steel	AISI 304
	48 Outer Sleeve	Stainless Steel	AISI 304
	82 O-ring for Outer Sleeve	EPDM	
	12 Chamber	Stainless Steel	AISI 304
	24 Neck Ring	PTFE	
	59 Base	Cast Iron	
	62 Base Plate	Cast Iron	ASTM 25B
	44 Coupling	Fe-Cu-C	MPIF FC0525
	57 Mechanical Seal	Cartridge Type	

Project	Project ID	Created by	Created on	Last update
---------	------------	------------	------------	-------------