



Technical Data

Vertical Multistage - SBI 5-9

Revision no.

Page:
 1

Receiver

From

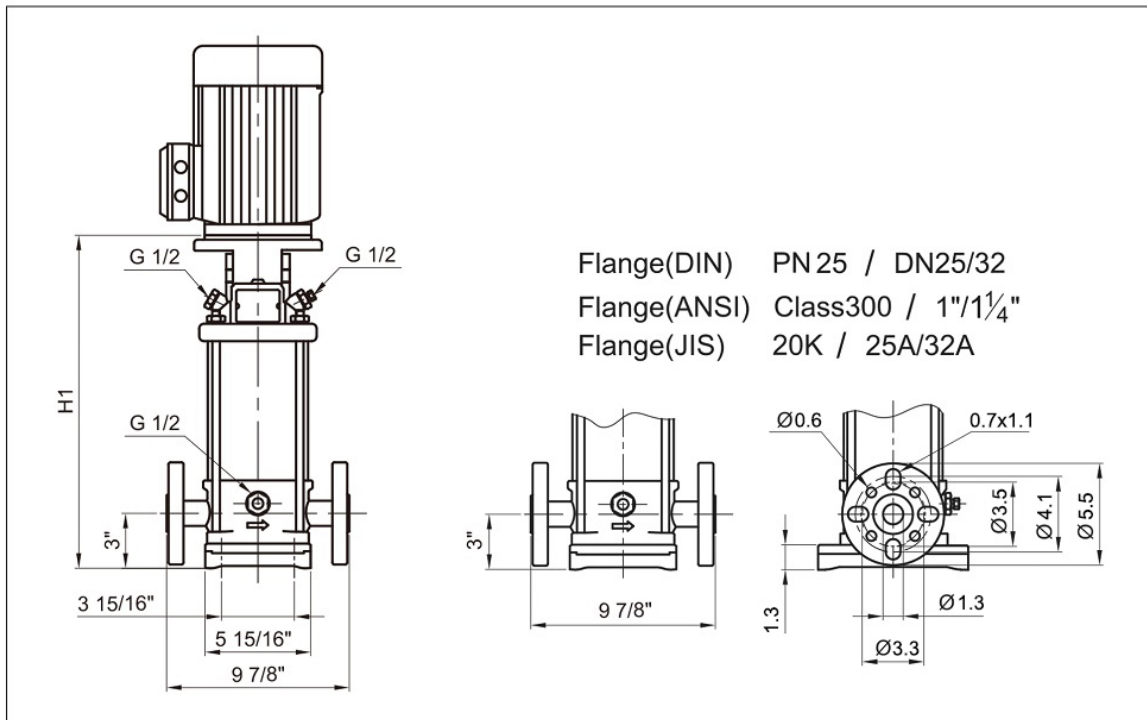
Company name
 Respons. Department
 Person in charge
 Phone number
 Fax no
 E-mail address



Brand: Gol Pumps
Model: SBI 5-9



Dimensions:



Pump Installation Size (inch)						
DIN Flange		Port Size		D1	D2	Net Weight
H1	H2	DNA	DNM			Lb.
19.4	31	1 1/4	1 1/4	7	5.6	86.2

Project	Project ID	Created by	Created on	Last update
---------	------------	------------	------------	-------------



Performance Curves

Vertical Multistage - SBI 5-9

Revision no.

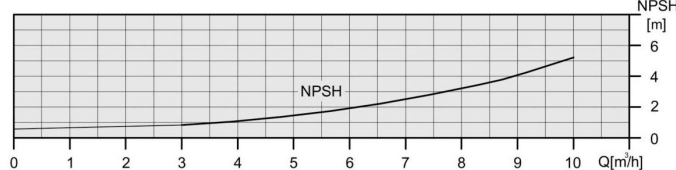
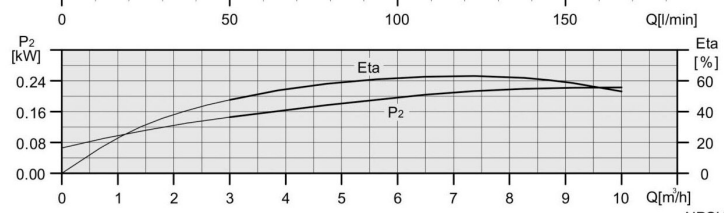
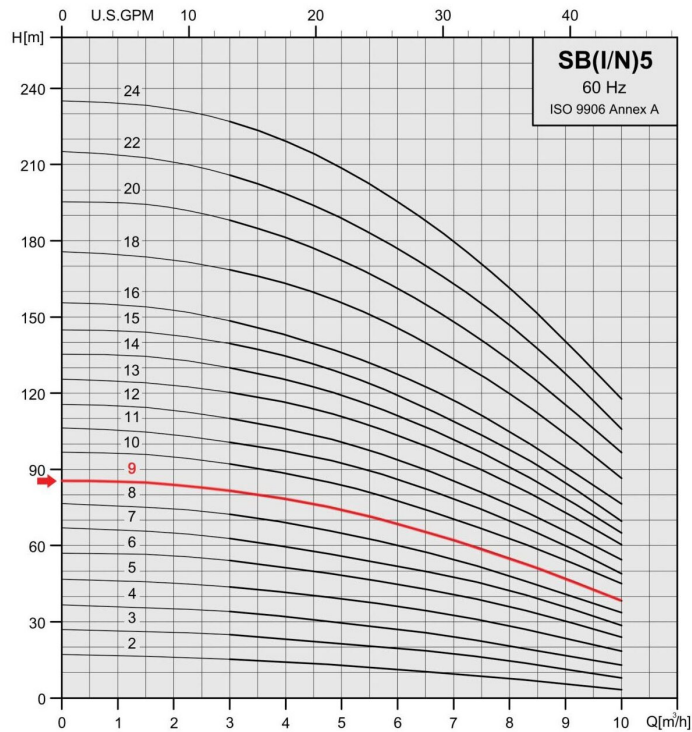
Page:
2

Receiver

From

Company name
Respons. Department
Person in charge
Phone number
Fax no
E-mail address

Model	Port Size (in.)		Flow	HP	Volts	Amps	Phase	Max. Head	Max. Suction	Max. PSI
	DNA	DNM	GPH		V	I Max.	Ph	Ft.	Ft.	
SBI 5-9	1 1/4	1 1/4	5100	3	230	13.8	Single	282	17	124



Project	Project ID	Created by	Created on	Last update
---------	------------	------------	------------	-------------



Parts and Materials

Vertical Multistage - SBI 5-9

Revision no.

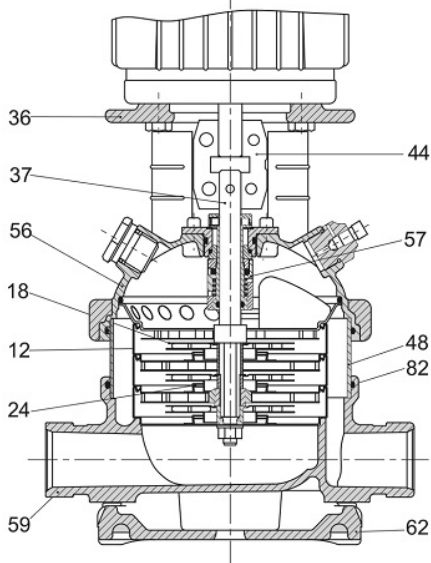
Page:

3

Receiver

From

 Company name
 Respons. Department
 Person in charge
 Phone number
 Fax no
 E-mail address



Parts List

Material

Standard

36	Pump Head	Cast Iron	ASTM 65-45-12
56	Pump Head Cover	Stainless Steel	AISI 304
18	Impeller	Stainless Steel	AISI 304
37	Shaft	Stainless Steel	AISI 304
48	Outer Sleeve	Stainless Steel	AISI 304
82	O-ring for Outer Sleeve	EPDM	
12	Chamber	Stainless Steel	AISI 304
24	Neck Ring	PTFE	
59	Base	Cast Iron	
62	Base Plate	Cast Iron	ASTM 25B
44	Coupling	Fe-Cu-C	MPIF FC0525
57	Mechanical Seal	Cartridge Type	

Project

Project ID

Created by

Created on

Last update