



# Technical Data

## Vertical Multistage - SBN 10-4

Revision no.

Page:  
1

Receiver

From

Company name  
Respons. Department  
Person in charge  
Phone number  
Fax no  
E-mail address

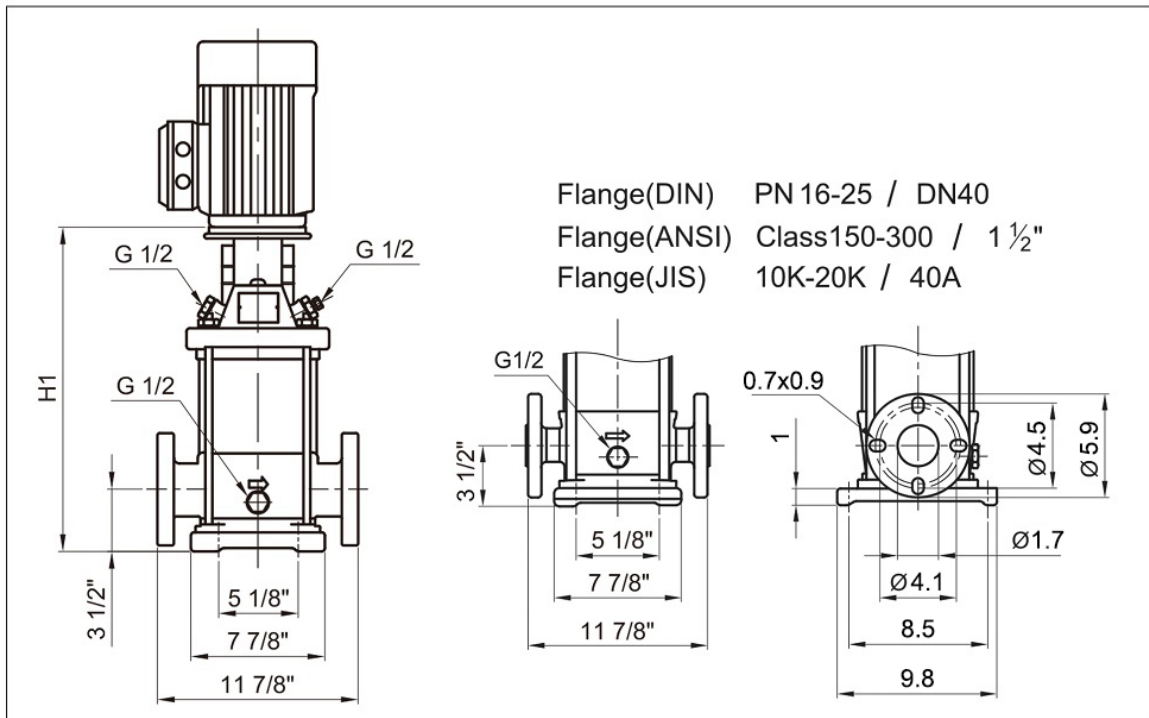




**Brand: Gol Pumps**  
**Model: SBN 10-4**



### Dimensions:



Pump Installation Size (inch)						
DIN Flange		Port Size		D1	D2	Net Weight
H1	H2	DNA	DNM			Lb.
17.2	29.7	1 1/2	1 1/2	7.8	5.8	125.8

Project	Project ID	Created by	Created on	Last update
---------	------------	------------	------------	-------------



# Performance Curves

## Vertical Multistage - SBN 10-4

Revision no.

Page:  
2

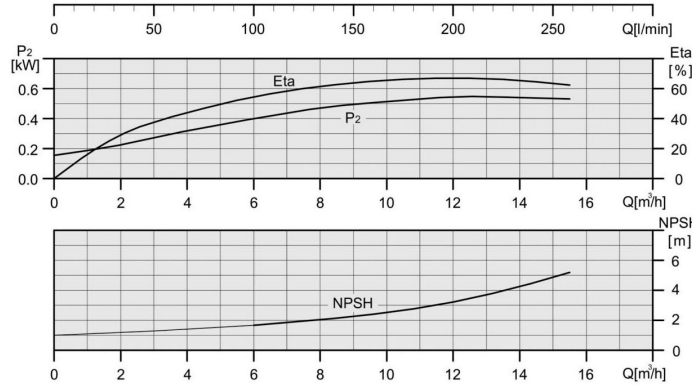
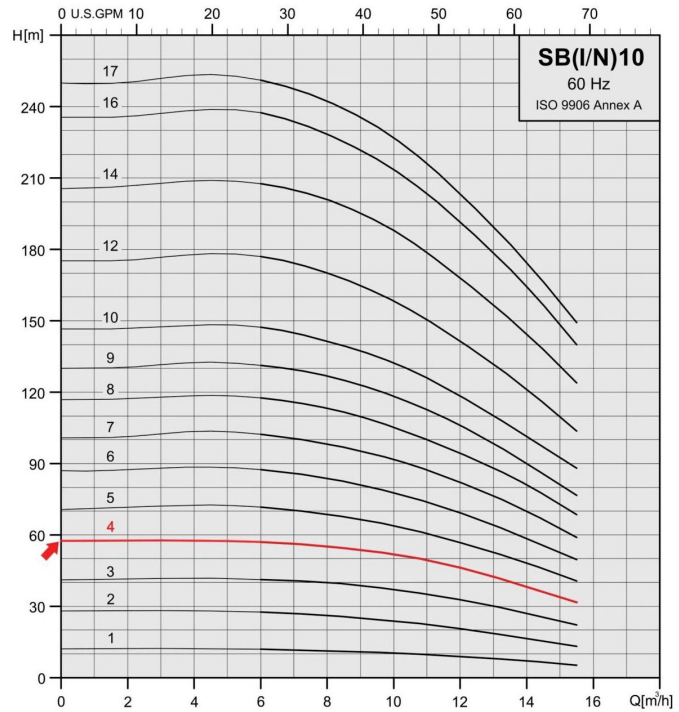
Receiver

From

Company name  
Respons. Department  
Person in charge  
Phone number  
Fax no  
E-mail address



Model	Port Size (in.)		Flow	HP	Volts	Amps	Phase	Max. Head	Max. Suction	Max. PSI
	DNA	DNM	GPH		V	I Max.	Ph	Ft.	Ft.	
<b>SBN 10-4</b>	1 1/2	1 1/2	4080	4	220/480	11.4/6.1	Three	190	17	85



Project	Project ID	Created by	Created on	Last update
---------	------------	------------	------------	-------------



# Parts and Materials

## Vertical Multistage - SBN 10-4

Revision no.

Page:  
 3

Receiver

From

Company name  
 Respons. Department  
 Person in charge  
 Phone number  
 Fax no  
 E-mail address



	Parts List	Material	Standard
	36 Pump Head	Cast Iron	ASTM 65-45-12
	56 Pump Head Cover	Stainless Steel	AISI 316
	18 Impeller	Stainless Steel	AISI 316
	37 Shaft	Stainless Steel	AISI 316
	48 Outer Sleeve	Stainless Steel	AISI 316
	82 O-ring for Outer Sleeve	EPDM	
	12 Chamber	Stainless Steel	AISI 316
	24 Neck Ring	PTFE	
	59 Base	Cast Iron	
	62 Base Plate	Cast Iron	ASTM 25B
	44 Coupling	Fe-Cu-C	MPIF FC0525
	57 Mechanical Seal	Cartridge Type	

Project	Project ID	Created by	Created on	Last update
---------	------------	------------	------------	-------------