



Technical Data

Vertical Multistage - SBN 10-6

Revision no.

Page:
1

Receiver

From

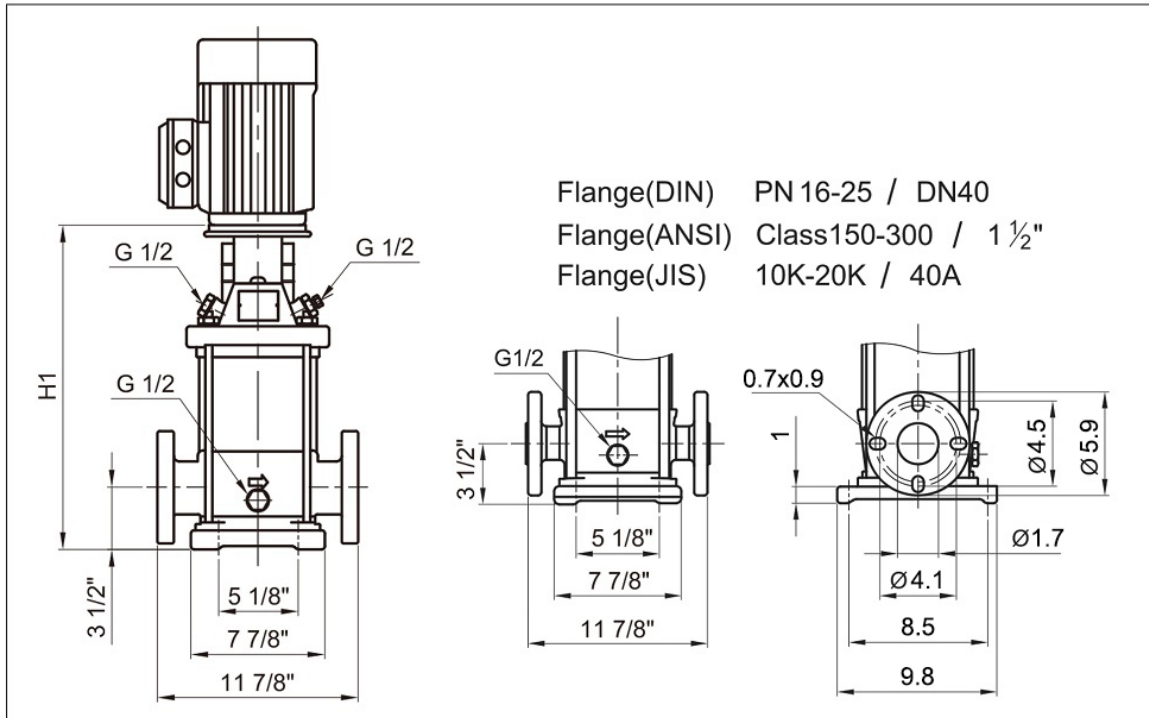
Company name
Respons. Department
Person in charge
Phone number
Fax no
E-mail address



Brand: Gol Pumps
Model: SBN 10-6



Dimensions:



Pump Installation Size (inch)						
DIN Flange		Port Size		D1	D2	Net Weight
H1	H2	DNA	DNM			Lb.
19.6	32.4	1 1/2	1 1/2	8.7	6.3	140

Project

Project ID

Created by

Created on

Last update



Performance Curves

Vertical Multistage - SBN 10-6

Revision no.

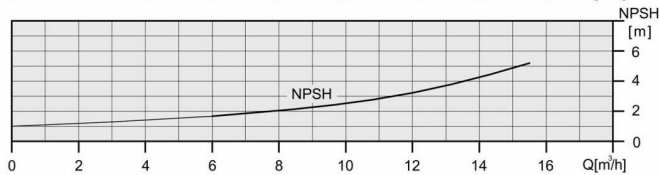
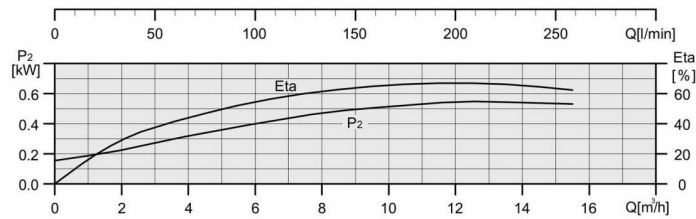
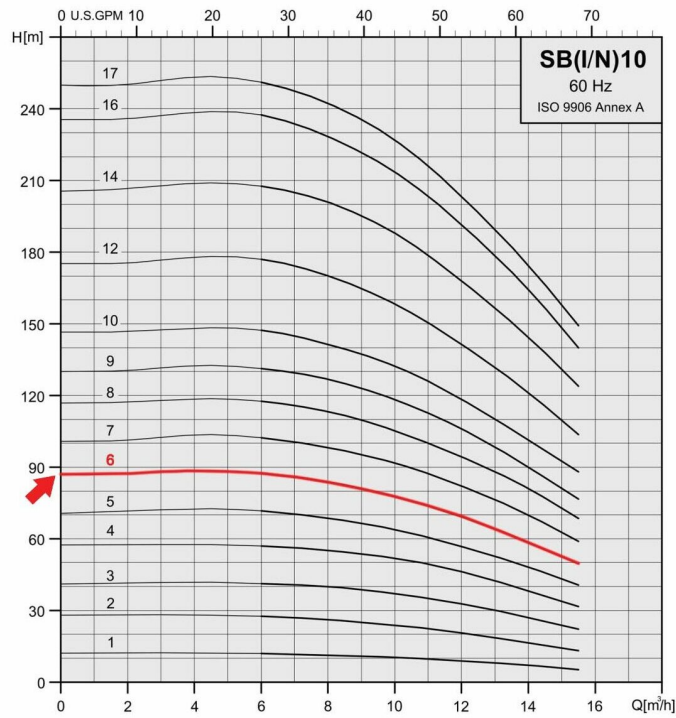
Page:
2

Receiver

From

Company name
Respons. Department
Person in charge
Phone number
Fax no
E-mail address

Model	Port Size (in.)		Flow	HP	Volts	Amps	Phase	Max. Head	Max. Suction	Max. PSI
	DNA	DNM	GPH		V	I Max.	Ph	Ft.	Ft.	
SBN 10-6	1 1/2	1 1/2	4080	5.5	220/480	14.2/7.5	Three	290	17	129



Project	Project ID	Created by	Created on	Last update
---------	------------	------------	------------	-------------



Parts and Materials

Vertical Multistage - SBN 10-6

Revision no.

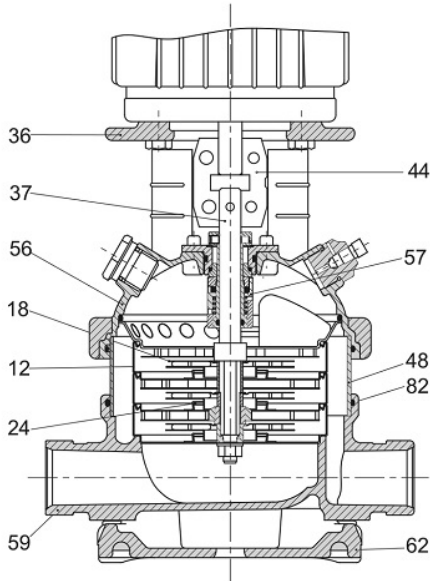
Page:

3

Receiver

From

 Company name
 Respons. Department
 Person in charge
 Phone number
 Fax no
 E-mail address



Parts List	Material	Standard
36 Pump Head	Cast Iron	ASTM 65-45-12
56 Pump Head Cover	Stainless Steel	AISI 316
18 Impeller	Stainless Steel	AISI 316
37 Shaft	Stainless Steel	AISI 316
48 Outer Sleeve	Stainless Steel	AISI 316
82 O-ring for Outer Sleeve	EPDM	
12 Chamber	Stainless Steel	AISI 316
24 Neck Ring	PTFE	
59 Base	Cast Iron	
62 Base Plate	Cast Iron	ASTM 25B
44 Coupling	Fe-Cu-C	MPIF FC0525
57 Mechanical Seal	Cartridge Type	

Project

Project ID

Created by

Created on

Last update