



# Technical Data

## Vertical Multistage - SBN 120-3

Revision no.

Page:  
1

Receiver

From

Company name  
Respons. Department  
Person in charge  
Phone number  
Fax no  
E-mail address

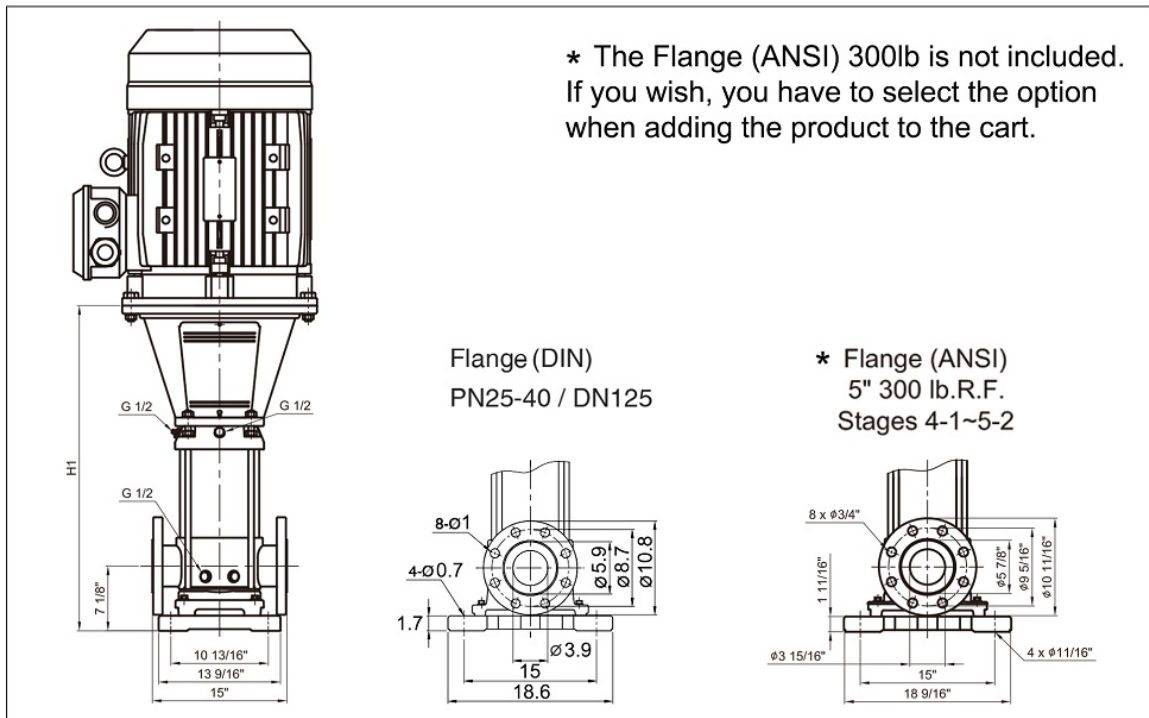




**Brand: Gol Pumps**  
**Model: SBN 120-3 (Without Motor)**



### Dimensions:



Pump Installation Size (inch)						
DIN Flange		Port Size		D1	D2	Net Weight
H1	H2	DNA	DNM			Lb.
46.4	30.3	5	5	19.1	14	-

Project	Project ID	Created by	Created on	Last update
---------	------------	------------	------------	-------------



# Performance Curves

## Vertical Multistage - SBN 120-3

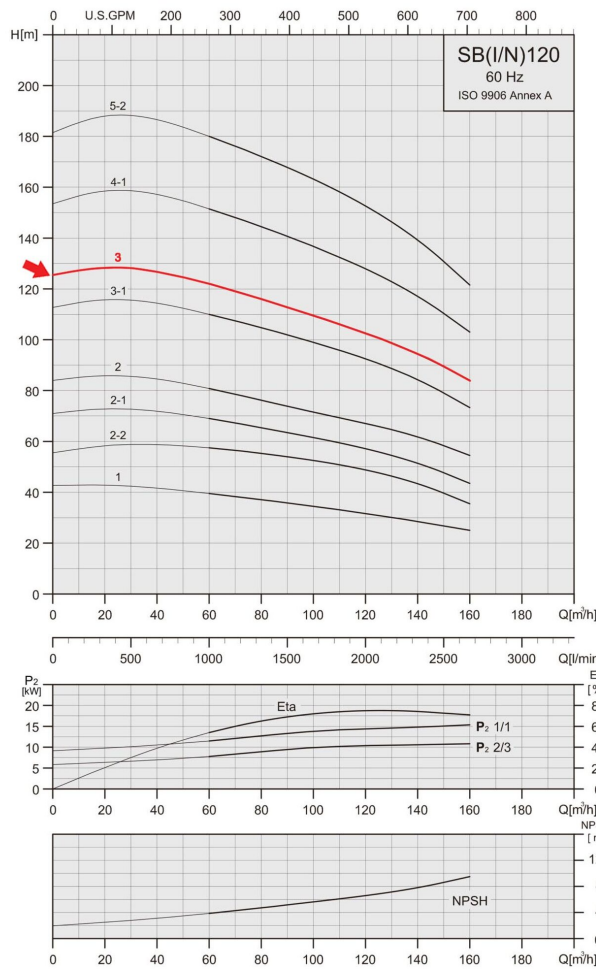
Revision no. \_\_\_\_\_

Page: 2

Receiver	From

Company name  
 Respons. Department  
 Person in charge  
 Phone number  
 Fax no  
 E-mail address

Model	Port Size (in.)		Flow	HP	Volts	Amps	Phase	Max. Head	Max. Suction	Max. PSI
	DNA	DNM	GPH		V	I Max.	Ph	Ft.	Ft.	
<b>SBN 120-3</b>	5	5	42000	75	460	96	Three	420	17	185



Project	Project ID	Created by	Created on	Last update
---------	------------	------------	------------	-------------



## Parts and Materials

### Vertical Multistage - SBN 120-3

Revision no.	Page:
	3

	<b>Receiver</b>	<b>From</b>
Company name		
Respons. Department		
Person in charge		
Phone number		
Fax no		
E-mail address		

Parts List	Material	Standard
36 Pump Head	Stainless Steel	AISI 316
53 Motor Bracket (15~60HP)	Cast Iron	ASTM 35B
	(75~100HP)	Cast Iron
17 Bearing Ring	PTFE	
18 Impeller	Stainless Steel	AISI 316
37 Shaft	Stainless Steel	AISI 316
48 Outer Sleeve	Stainless Steel	AISI 316
82 O-ring for Outer Sleeve	EPDM	
12 Chamber	Stainless Steel	AISI 316
24 Neck Ring	PTFE	
59 Base	Stainless Steel	AISI 316
62 Base Plate	Cast Iron	ASTM 65-45-12
62A Base Plate	Cast Iron	ASTM 65-45-12
57 Mechanical Seal	Cartridge Type	
42 Bottom Bearing Ring	SiC	

Project	Project ID	Created by	Created on	Last update
---------	------------	------------	------------	-------------