



Technical Data - Pump

Vertical Multistage Pump Nema - SBN 120-3

Revision no.

Page:

1

Receiver

From

 Company name
 Respons. Department
 Person in charge
 Phone number
 Fax no
 E-mail address

--	--

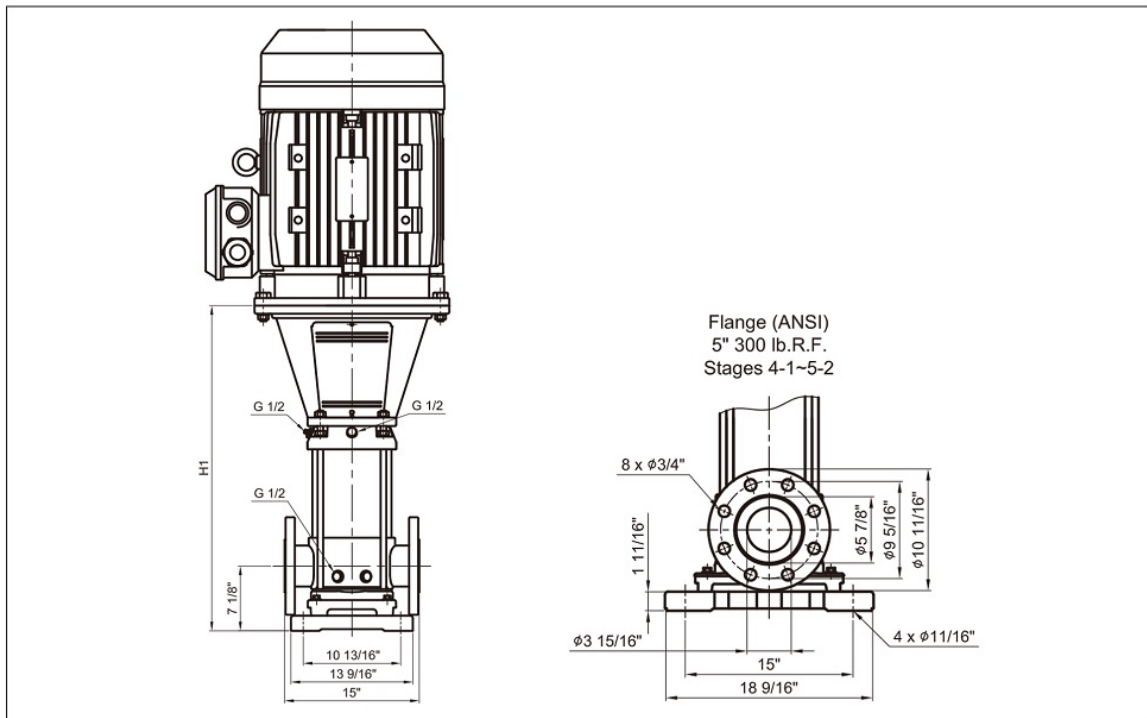


Pump Brand: Gol Pumps
Model: SBN 120-3

Motor Brand: WEG
Model: 07536ET3E365TSC-W22



Pump Dimensions:



Pump Installation Size (inch)				
ANSI Flange	Port Size		NEMA Frame TEFC motors	Net Weight
	DNA	DNM		Lb.
H1	5	5	364/5TSC	331.4

Project

Project ID

Created by

Created on

Last update



Performance Curves

Vertical Multistage Pump Nema - SBN 120-3

Revision no.

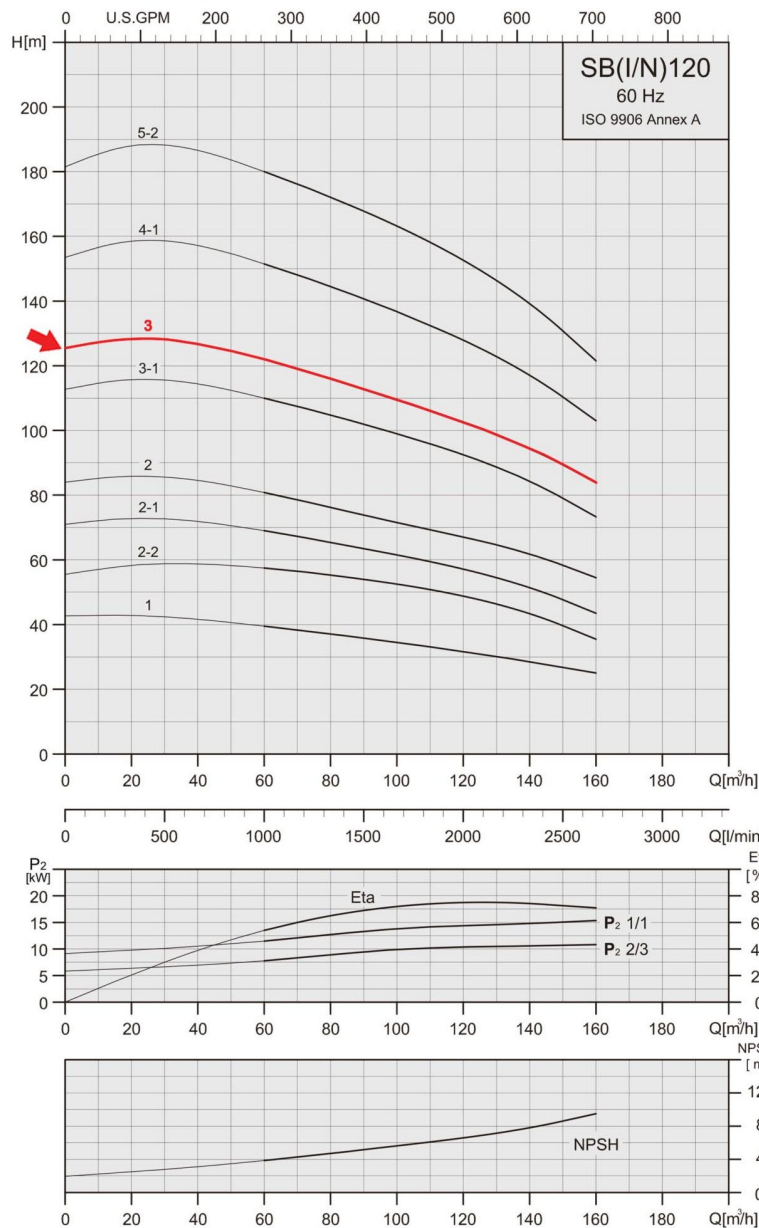
 Page:
2

Receiver

From

 Company name
 Respons. Department
 Person in charge
 Phone number
 Fax no
 E-mail address

Model	Port Size (in.)		Flow	HP	Volts	Amps	Phase	Max. Head	Max. Suction	Max. PSI
	DNA	DNM	GPH		V	I Max.	Ph	Ft.	Ft.	
SBN 120-3	5	5	42000	75	230/460	164/81.9	Three	420	17	185



Project

Project ID

Created by

Created on

Last update



Parts and Materials

Vertical Multistage Pump Nema - SBN 120-3

Revision no. _____ Page: 3

	Receiver	From
Company name		
Respons. Department		
Person in charge		
Phone number		
Fax no		
E-mail address		

Parts List	Material	Standard
36 Pump Head	Stainless Steel	AISI 316
53 Motor Bracket (15~60HP)	Cast Iron	ASTM 35B
(75~100HP)	Cast Iron	ASTM 65-45-12
17 Bearing Ring	PTFE	
18 Impeller	Stainless Steel	AISI 316
37 Shaft	Stainless Steel	AISI 316
48 Outer Sleeve	Stainless Steel	AISI 316
82 O-ring for Outer Sleeve	EPDM	
12 Chamber	Stainless Steel	AISI 316
24 Neck Ring	PTFE	
59 Base	Stainless Steel	AISI 316
62 Base Plate	Cast Iron	ASTM 65-45-12
62A Base Plate	Cast Iron	ASTM 65-45-12
57 Mechanical Seal	Cartridge Type	
42 Bottom Bearing Ring	SiC	

Project	Project ID	Created by	Created on	Last update
---------	------------	------------	------------	-------------



Technical Data - Motor

Vertical Multistage Pump Nema - SBN 120-3

Revision no. _____

Page: 4

Receiver _____ From _____

Company name _____
 Respons. Department _____
 Person in charge _____
 Phone number _____
 Fax no _____
 E-mail address _____

Product line : W22 NEMA Premium Efficiency Three-Phase Product code : 12197395
 Catalog # : 07536ET3E365TSC-W22

Frame : 364/5TSC
 Output : 75 HP (55 kW)
 Poles : 2
 Frequency : 60 Hz
 Rated voltage : 230/460 V
 Rated current : 164/81.9 A
 L. R. Amperes : 1097/549 A
 LRC : 6.7x(Code G)
 No load current : 40.0/20.0 A
 Rated speed : 3555 rpm
 Slip : 1.25 %
 Rated torque : 111 ft.lb
 Locked rotor torque : 200 %
 Breakdown torque : 250 %
 Insulation class : F
 Service factor : 1.25
 Moment of inertia (J) : 11.9 sq.ft.lb
 Design : B

Locked rotor time : 18s (cold) 10s (hot)
 Temperature rise : 80 K
 Duty cycle : Cont.(S1)
 Ambient temperature : -20°C to +40°C
 Altitude : 1000 m.a.s.l.
 Protection degree : IP55
 Cooling method : IC411 - TEFC
 Mounting : F-1
 Rotation¹ : Both (CW and CCW)
 Noise level² : 79.0 dB(A)
 Starting method : Direct On Line
 Approx. weight³ : 879 lb

Output	25%	50%	75%	100%
Efficiency (%)	92.2	92.4	93.6	93.6
Power Factor	0.60	0.83	0.88	0.90

Foundation loads
 Max. traction : 657 lb
 Max. compression : 1536 lb

Losses at normative operating points (speed;torque), in percentage of rated output power

P1 (0,9;1,0)	P2 (0,5;1,0)	P3 (0,25;1,0)	P4 (0,9;0,5)	P5 (0,5;0,5)	P6 (0,5;0,25)	P7 (0,25;0,25)
6.4	4.8	4.5	3.2	1.8	1.1	0.6

	<u>Drive end</u>	<u>Non drive end</u>
Bearing type :	6314 C3	6314 C3
Sealing :	WSeal	WSeal
Lubrication interval :	4000 h	4000 h
Lubricant amount :	27 g	27 g
Lubricant type :	Mobil Polyrex EM	

Notes:
 USABLE @208V 181A SF 1.10 SFA 199A

This revision replaces and cancel the previous one, which must be eliminated.
 (1) Looking the motor from the shaft end.
 (2) Measured at 1m and with tolerance of +3dB(A).
 (3) Approximate weight subject to changes after manufacturing process.
 (4) At 100% of full load.

These are average values based on tests with sinusoidal power supply, subject to the tolerances stipulated in NEMA MG-1.

Project	Project ID	Created by	Created on	Last update
---------	------------	------------	------------	-------------



Dimensions and Nameplate

Vertical Multistage Pump Nema - SBN 120-3

Revision no. _____

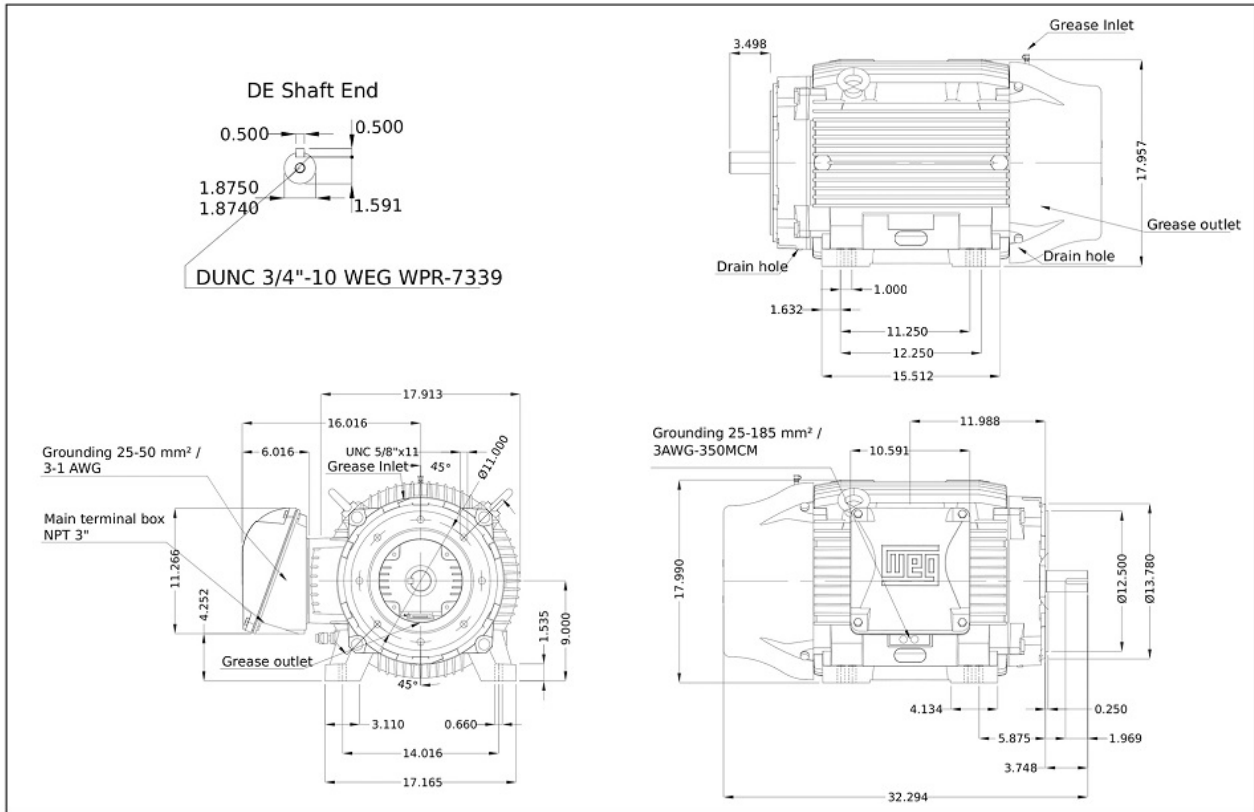
Page: 5

Receiver _____

From _____

Company name _____
 Respons. Department _____
 Person in charge _____
 Phone number _____
 Fax no _____
 E-mail address _____

Motor Dimensions:



Motor Nameplate:



MODEL 07536ET3E365TSC-W22

MADE IN MEXICO
12197395

Inverter Duty Motor
 Severe Duty
 PH3 60Hz Fr. 364/STSC 1000m.a.s.l. IP55 TEFC 8791b
 V 230/460 A 164/81.9
 HP 75 kW 55
 SF 1.25 SFA 205/102
 RPM 3555 PF 0.90
 AMB 40°C INS cl. F DT80K NEMA NOM EFF 93.6%
 DUTY CONT. DES B Code G

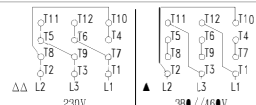
75HP 55kW 50Hz 380V 100A 2930RPM SF 1.00 EFF 92.4% (IE1)



FOR SAFE AREA
 Mod. T16FOXON
 CC029A



For use on 60Hz
 Class I, Div 2, Gr A, B, C and D - T3
 Class I, Zone 2, IIC - T3
 Class II, Div 2, Gr F and G - T4
 For use on PWM: Gr. A, B, C, D and F,
 VI 1000:1, CT 20:1, 1.00SF - TSA



6314-C3 (27g)

6314-C3 (27g)

MOBIL POLYREX EM (4000h)

Project	Project ID	Created by	Created on	Last update
---------	------------	------------	------------	-------------