



Technical Data - Pump

Vertical Multistage Pump Nema - SBN 120-4-1

Revision no.

Page:
1

Receiver

From

Company name
 Respons. Department
 Person in charge
 Phone number
 Fax no
 E-mail address

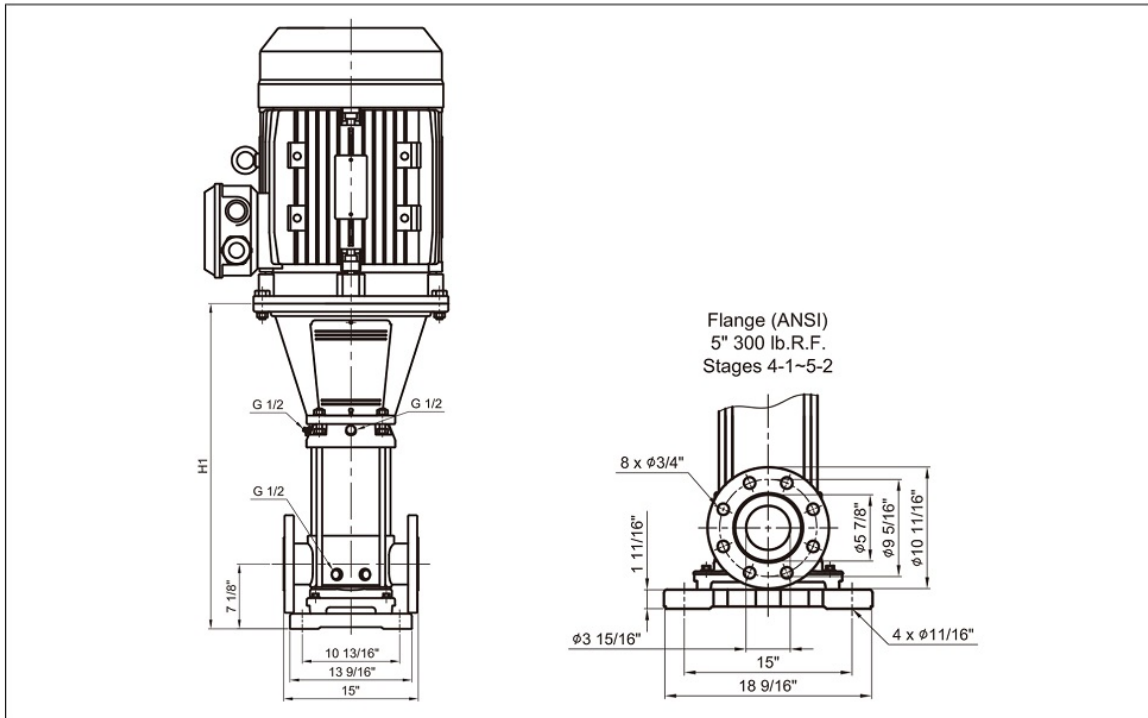


Pump Brand: Gol Pumps
Model: SBN 120-4-1

Motor Brand: WEG
Model: 10036ET3E405TSC-W22



Pump Dimensions:



Pump Installation Size (inch)				
ANSI Flange	Port Size		NEMA Frame TEFC motors	Net Weight
	DNA	DNM		Lb.
H1	5	5	404/5TS	353

Project	Project ID	Created by	Created on	Last update
---------	------------	------------	------------	-------------



Performance Curves

Vertical Multistage Pump Nema - SBN 120-4-1

Revision no.

Page:
2

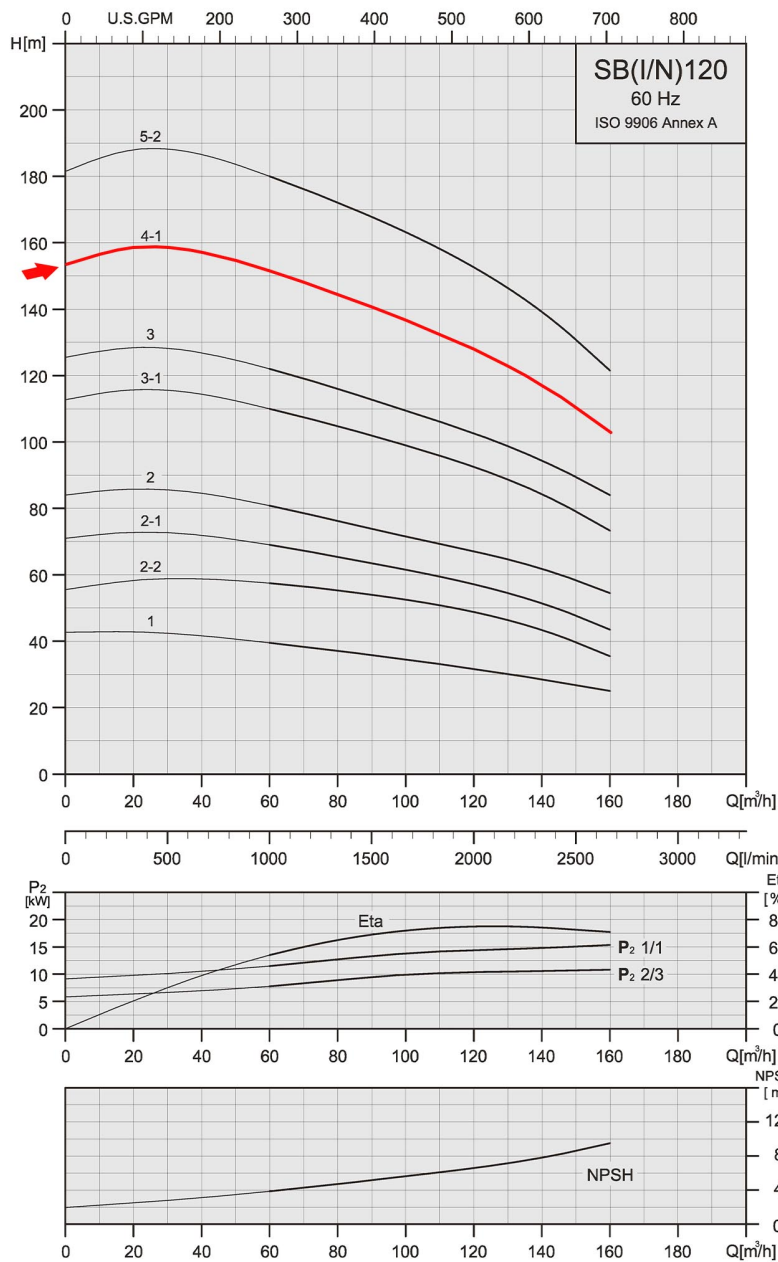
Receiver

From

Company name
Respons. Department
Person in charge
Phone number
Fax no
E-mail address

--	--

Model	Port Size (in.)		Flow	HP	Volts	Amps	Phase	Max. Head	Max. Suction	Max. PSI
	DNA	DNM	GPH		V	I Max.	Ph	Ft.	Ft.	
SBN 120-4-1	5	5	42000	100	230/460	224/112	Three	520	17	230.6



Project	Project ID	Created by	Created on	Last update
---------	------------	------------	------------	-------------



Technical Data - Motor

Vertical Multistage Pump Nema - SBN 120-4-1

Revision no.

Page:
4

	Receiver	From
Company name		
Respons. Department		
Person in charge		
Phone number		
Fax no		
E-mail address		

Product line : W22 NEMA Premium Efficiency Three-Phase
 Product code : 5160366
 Catalog # : 10036ET3E405TSC-W22

Frame : 404/5TS
 Output : 100 HP (75 kW)
 Poles : 2
 Frequency : 60 Hz
 Rated voltage : 230/460 V
 Rated current : 224/112 A
 L. R. Amperes : 1456/728 A
 LRC : 6.5x(Code G)
 No load current : 52.0/26.0 A
 Rated speed : 3545 rpm
 Slip : 1.53 %
 Rated torque : 20.5 kgfm
 Locked rotor torque : 240 %
 Breakdown torque : 260 %
 Insulation class : F
 Service factor : 1.25
 Moment of inertia (J) : 0.5561 kgm²
 Design : B

Locked rotor time : 25s (cold) 14s (hot)
 Temperature rise : 80 K
 Duty cycle : Cont.(S1)
 Ambient temperature : -20°C to +40°C
 Altitude : 1000 m.a.s.l.
 Protection degree : IP55
 Cooling method : IC411 - TEFC
 Mounting : F-1
 Rotation¹ : Both (CW and CCW)
 Noise level² : 79.0 dB(A)
 Starting method : Direct On Line
 Approx. weight³ : 503 kg

Output	25%	50%	75%	100%
Efficiency (%)	0.000	93.0	94.1	94.1
Power Factor	0.00	0.83	0.88	0.89

Foundation loads
 Max. traction : 272 kgf
 Max. compression : 775 kgf

	<u>Drive end</u>	<u>Non drive end</u>
Bearing type	6314 C3	6314 C3
Sealing	WSeal	WSeal
Lubrication interval	4000 h	4000 h
Lubricant amount	27 g	27 g
Lubricant type	Mobil Polyrex EM	

Notes:
 USABLE @208V 243A SF 1.10 SFA 268A

This revision replaces and cancel the previous one, which must be eliminated.
 (1) Looking the motor from the shaft end.
 (2) Measured at 1m and with tolerance of +3dB(A).
 (3) Approximate weight subject to changes after manufacturing process.
 (4) At 100% of full load.

These are average values based on tests with sinusoidal power supply, subject to the tolerances stipulated in NEMA MG-1.

Project	Project ID	Created by	Created on	Last update



Dimensions and Nameplate

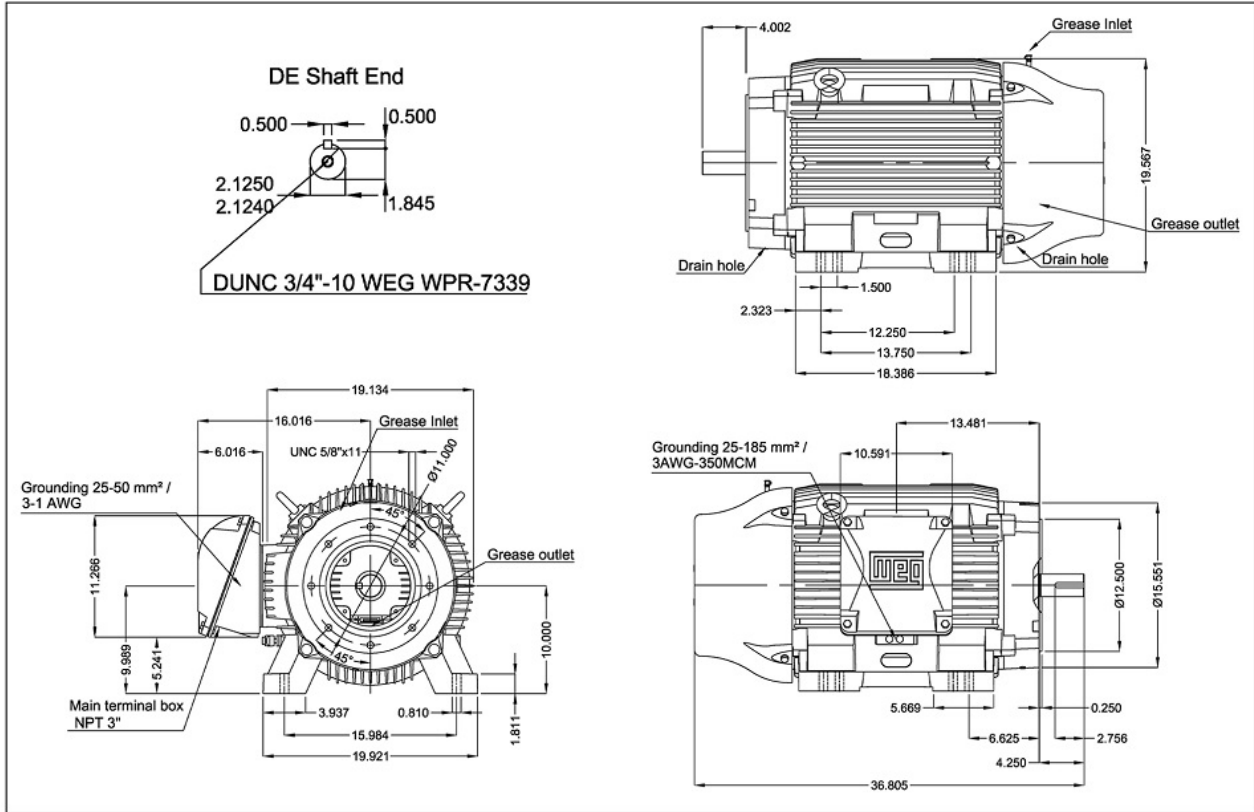
Vertical Multistage Pump Nema - SBN 120-4-1

Revision no. _____

Page: 5

Receiver	From	
Company name		
Respons. Department		
Person in charge		
Phone number		
Fax no		
E-mail address		

Motor Dimensions:



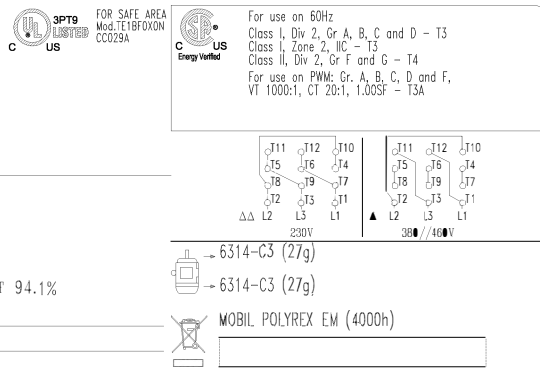
Motor Nameplate:

MADE IN MEXICO
11165996

MODEL 10036ET3E40STSE W22

Inverter Duty Motor Severe Duty	
PH3 60Hz Fr. 404/5TS 1000m.a.s.l. IP55 TEFC 11561b	A 224/112
V 230/460	kW 75
HP 100	SFA 280/140
SF 1.25	PF 0.89
RPM 3545	INS cl. F DT80K NEMA NOM EFF 94.1%
AMB 40°C	DES B Code G
DUTY CONT.	

75HP 55kW 50Hz 380V 99.6A 2955RPM SF 1.00 EFF 94.3% (IE3)



Project	Project ID	Created by	Created on	Last update
---------	------------	------------	------------	-------------