



Technical Data

Vertical Multistage - SBN 15-8

Revision no.

Page:
1

Receiver

From

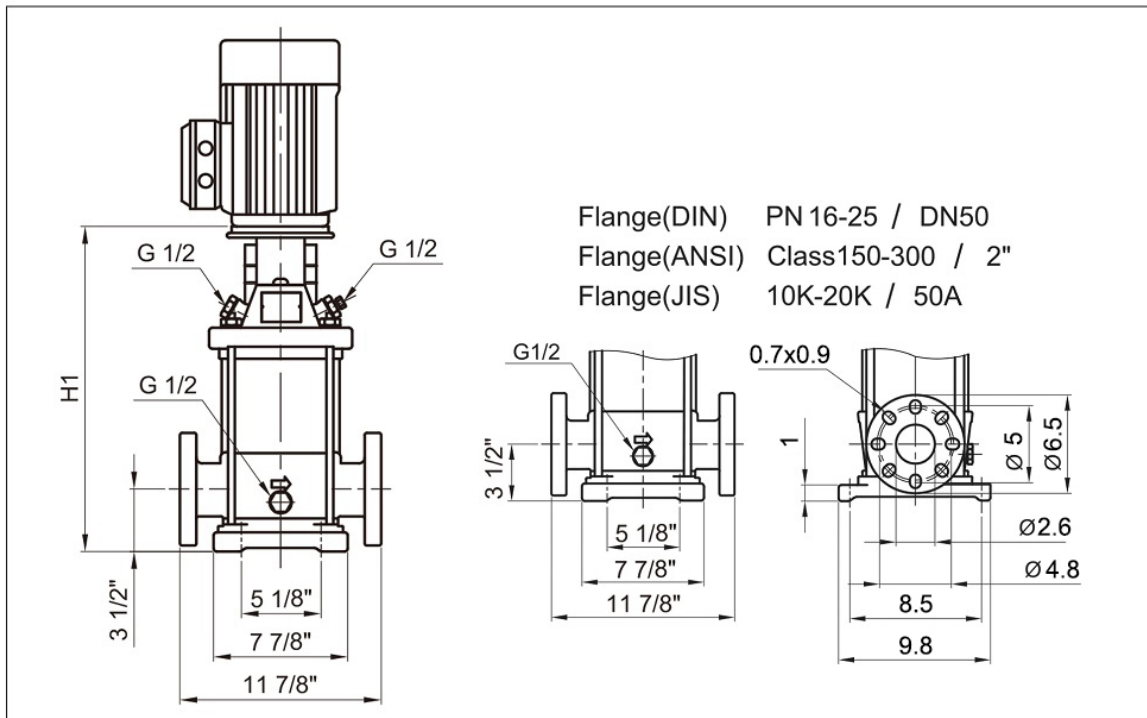
Company name
Respons. Department
Person in charge
Phone number
Fax no
E-mail address



Brand: Gol Pumps
Model: SBN 15-8



Dimensions:



Pump Installation Size (inch)						
DIN Flange		Port Size		D1	D2	Net Weight Lb.
H1	H2	DNA	DNM			
31.4	48.9	2	2	10.6	8.5	296.6

Project

Project ID

Created by

Created on

Last update



Performance Curves

Vertical Multistage - SBN 15-8

Revision no.

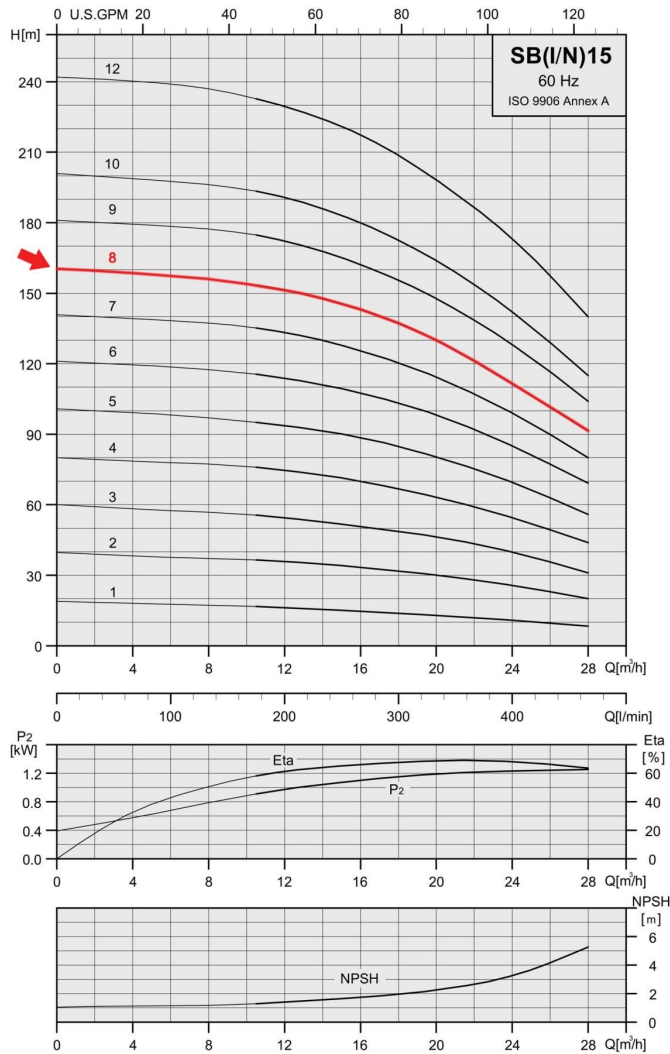
Page:
2

Receiver

From

Company name
Respons. Department
Person in charge
Phone number
Fax no
E-mail address

Model	Port Size (in.)		Flow	HP	Volts	Amps	Phase	Max. Head	Max. Suction	Max. PSI
	DNA	DNM	GPH		V	I Max.	Ph	Ft.	Ft.	
SBN 15-8	2	2	7500	15	220/480	37/19.6	Three	525	17	232



Project	Project ID	Created by	Created on	Last update
---------	------------	------------	------------	-------------

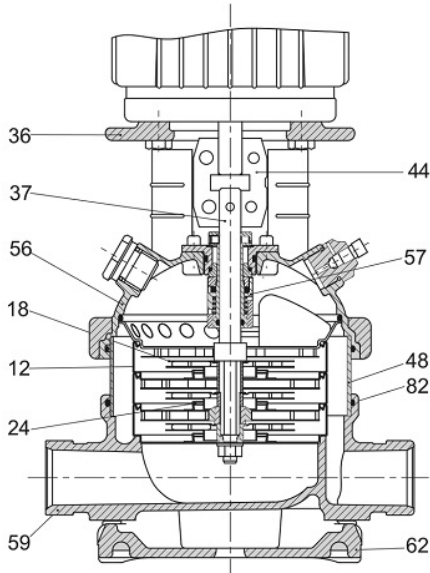


Parts and Materials

Vertical Multistage - SBN 15-8

Revision no. _____ Page: 3

	Receiver	From
Company name		
Respons. Department		
Person in charge		
Phone number		
Fax no		
E-mail address		



	Parts List	Material	Standard
36	Pump Head	Cast Iron	ASTM 65-45-12
56	Pump Head Cover	Stainless Steel	AISI 316
18	Impeller	Stainless Steel	AISI 316
37	Shaft	Stainless Steel	AISI 316
48	Outer Sleeve	Stainless Steel	AISI 316
82	O-ring for Outer Sleeve	EPDM	
12	Chamber	Stainless Steel	AISI 316
24	Neck Ring	PTFE	
59	Base	Cast Iron	
62	Base Plate	Cast Iron	ASTM 25B
44	Coupling	Fe-Cu-C	MPIF FC0525
57	Mechanical Seal	Cartridge Type	

Project	Project ID	Created by	Created on	Last update
---------	------------	------------	------------	-------------