



Technical Data - Pump

Vertical Multistage Pump Nema - SBN 150-2

Revision no.

Page:
1

Receiver

From

Company name
Respons. Department
Person in charge
Phone number
Fax no
E-mail address

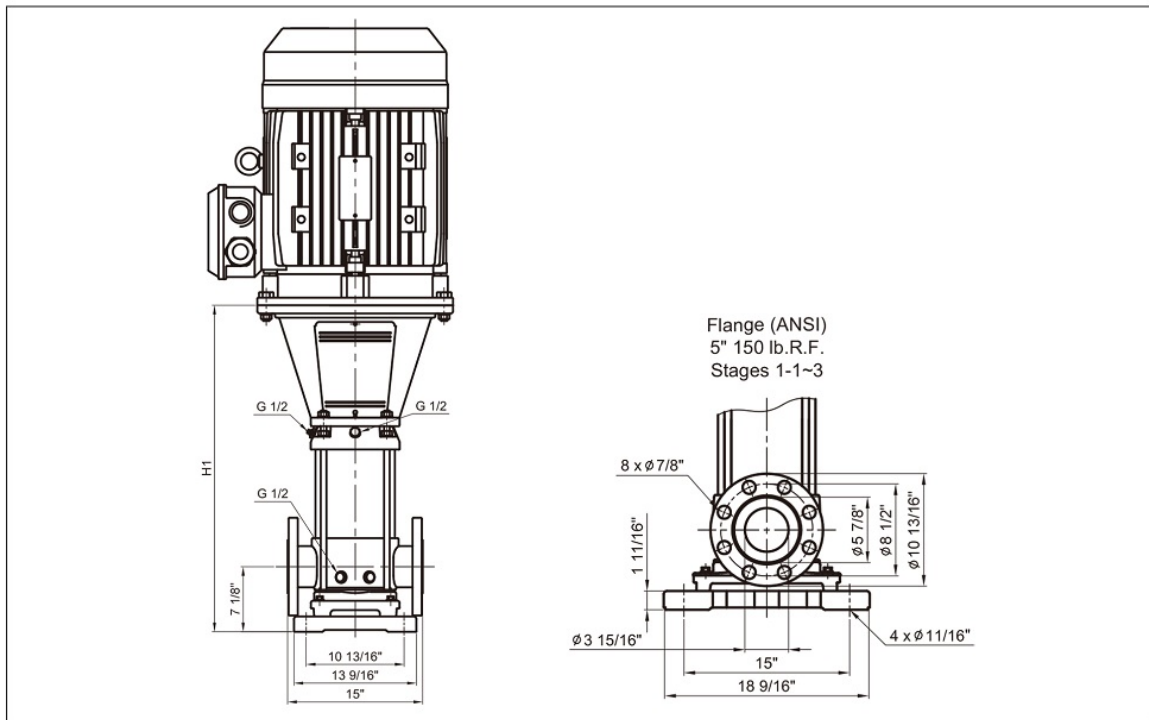


Pump Brand: Gol Pumps
Model: SBN 150-2

Motor Brand: WEG
Model: 06036ET3E364TSC-W22



Pump Dimensions:



Pump Installation Size (inch)				
ANSI Flange	Port Size		NEMA Frame TEFC motors	Net Weight
	DNA	DNM		Lb.
H1	5	5	364/5TSC	288.2

Project	Project ID	Created by	Created on	Last update
---------	------------	------------	------------	-------------



Performance Curves

Vertical Multistage Pump Nema - SBN 150-2

Revision no.

Page:
2

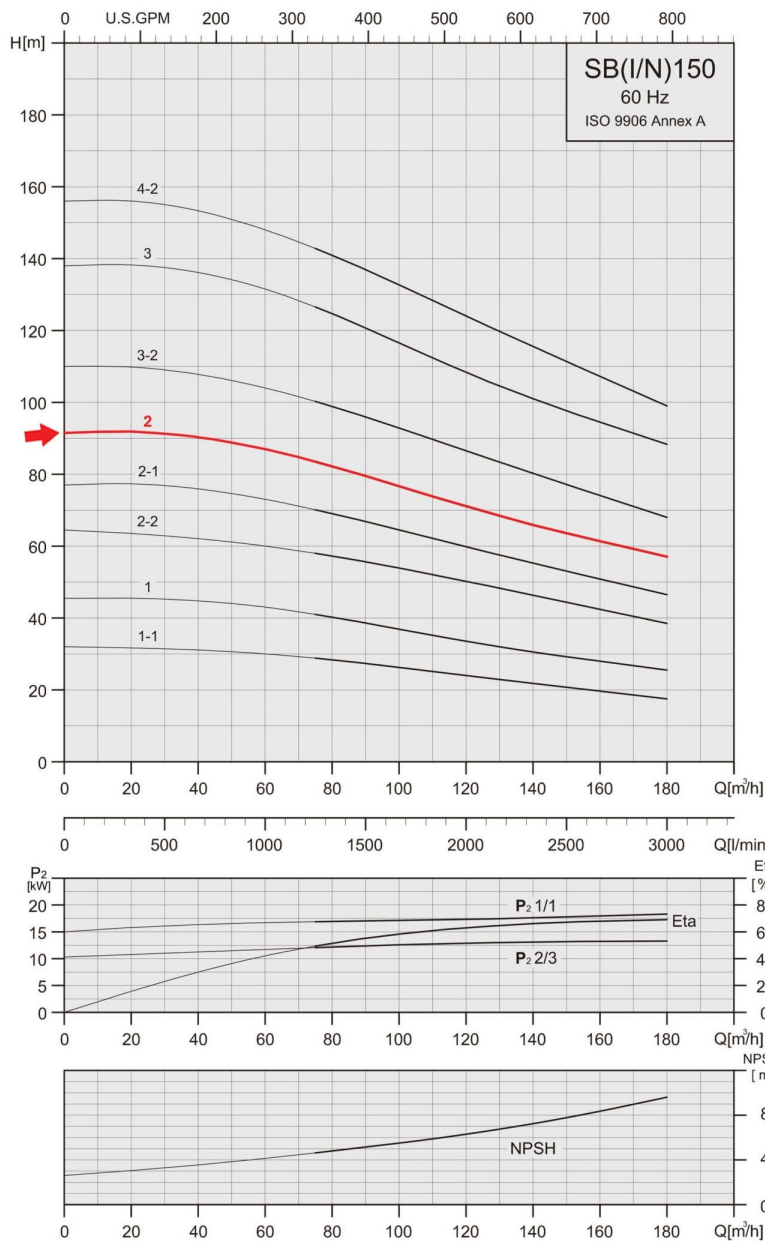
Receiver

From

Company name
Respons. Department
Person in charge
Phone number
Fax no
E-mail address

--	--

Model	Port Size (in.)		Flow	HP	Volts	Amps	Phase	Max. Head	Max. Suction	Max. PSI
	DNA	DNM	GPH		V	I Max.	Ph	Ft.	Ft.	
SBN 150-2	5	5	47700	60	230/460	134/67	Three	305	17	133



Project	Project ID	Created by	Created on	Last update
---------	------------	------------	------------	-------------



Parts and Materials

Vertical Multistage Pump Nema - SBN 150-2

Revision no.

Page:

3

Receiver

From

 Company name
 Respons. Department
 Person in charge
 Phone number
 Fax no
 E-mail address

	Parts List	Material	Standard
	36 Pump Head	Stainless Steel	AISI 316
	53 Motor Bracket (15~60HP)	Cast Iron	ASTM 35B
	(75~100HP)	Cast Iron	ASTM 65-45-12
	17 Bearing Ring	PTFE	
	18 Impeller	Stainless Steel	AISI 316
	37 Shaft	Stainless Steel	AISI 316
	48 Outer Sleeve	Stainless Steel	AISI 316
	82 O-ring for Outer Sleeve	EPDM	
	12 Chamber	Stainless Steel	AISI 316
	24 Neck Ring	PTFE	
	59 Base	Stainless Steel	AISI 316
	62 Base Plate	Cast Iron	ASTM 65-45-12
	62A Base Plate	Cast Iron	ASTM 65-45-12
	57 Mechanical Seal	Cartridge Type	
	42 Bottom Bearing Ring	SiC	

Project

Project ID

Created by

Created on

Last update



Technical Data - Motor

Vertical Multistage Pump Nema - SBN 150-2

Revision no. _____

Page: 4

Receiver	From
----------	------

Company name			
Respons. Department			
Person in charge			
Phone number			
Fax no			
E-mail address			

Product line : W22 NEMA Premium Efficiency Three-Phase Product code : 12275877
 Catalog # : 06036ET3E364TSC-W22

Frame : 364/5TSC Insulation class : F Duty cycle : Cont.(S1) Ambient temperature : -20°C to +40°C Altitude : 1000 m.a.s.l. Protection degree : IP55 Design : B	Cooling method : IC411 - TEFC Mounting : F-1 Rotation ¹ : Both (CW and CCW) Starting method : Direct On Line Approx. weight ³ : 876 lb Moment of inertia (J) : 10.6 sq.ft.lb
--	---

Output [HP]	60	50
Poles	2	2
Frequency [Hz]	60	50
Rated voltage [V]	230/460	380
Rated current [A]	134/67.0	67.4
L. R. Amperes [A]	884/442	431
LRC [A]	6.6x(Code G)	6.4x(Code G)
No load current [A]	32.0/16.0	15.8
Rated speed [RPM]	3555	2955
Slip [%]	1.25	1.50
Rated torque [ft.lb]	88.6	88.9
Locked rotor torque [%]	200	190
Breakdown torque [%]	260	250
Service factor	1.25	1.00
Temperature rise	80 K	80 K
Locked rotor time	25s (cold) 14s (hot)	21s (cold) 12s (hot)
Noise level ²	79.0 dB(A)	74.0 dB(A)
Efficiency (%)	25%	91.0
	50%	91.7
	75%	93.0
	100%	93.6
Power Factor	25%	0.59
	50%	0.81
	75%	0.88
	100%	0.90

Losses at normative operating points (speed;torque), in percentage of rated output power

Losses (%)	P1 (0,9;1,0)	6.3	6.3
	P2 (0,5;1,0)	4.7	4.7
	P3 (0,25;1,0)	4.4	4.4
	P4 (0,9;0,5)	3.3	3.3
	P5 (0,5;0,5)	1.7	1.7
	P6 (0,5;0,25)	1.1	1.1
	P7 (0,25;0,25)	0.6	0.6

	<u>Drive end</u>	<u>Non drive end</u>	
Bearing type	6314 C3	6314 C3	Foundation loads
Sealing	WSeal	WSeal	Max. traction : 476 lb
Lubrication interval	4000 h	4000 h	Max. compression : 1352 lb
Lubricant amount	27 g	27 g	
Lubricant type	Mobil Polyrex EM		

This revision replaces and cancel the previous one, which must be eliminated.
 (1) Looking the motor from the shaft end.
 (2) Measured at 1m and with tolerance of +3dB(A).

These are average values based on tests with sinusoidal power supply, subject to the tolerances stipulated in NEMA MG-1.

Project	Project ID	Created by	Created on	Last update
---------	------------	------------	------------	-------------



Dimensions and Nameplate

Vertical Multistage Pump Nema - SBN 150-2

Revision no. _____

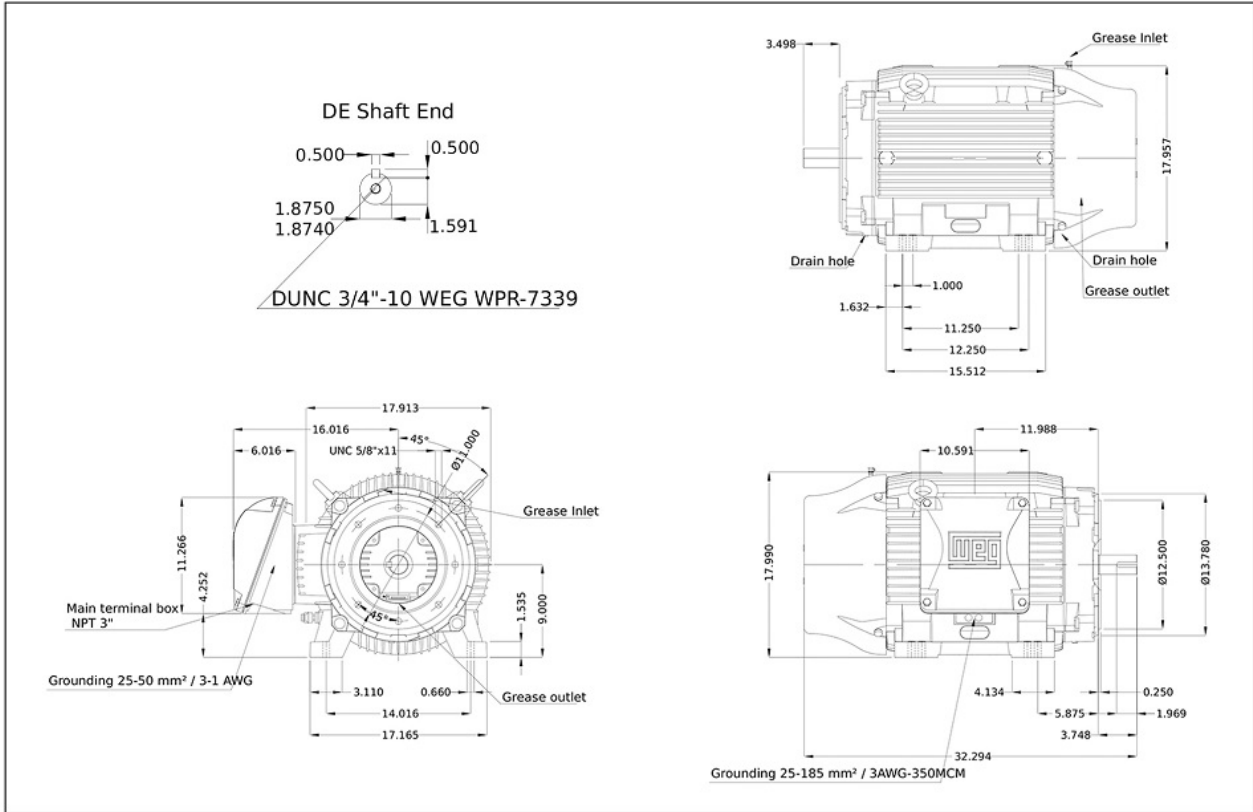
Page: 5

Receiver _____

From _____

Company name _____
 Respons. Department _____
 Person in charge _____
 Phone number _____
 Fax no _____
 E-mail address _____

Motor Dimensions:



Motor Nameplate:



MODEL 06036ET3E364TSC-W22

MADE IN MEXICO
12275877

Inverter Duty Motor
 Severe Duty
 PH3 60Hz Fr. 364/5TSC 1000m.a.s.l. IP55 TEFC 8761b
 V 230/460
 HP 60
 SF 1.25
 RPM 3555
 AMB 40°C
 DUTY CONT.

A 134/67.0
 kW 45
 SFA 168/83.8
 PF 0.90
 INS cl. F DT80K NEMA NOM EFF 93.6%
 DES B Code G

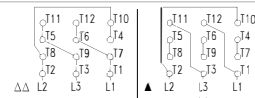
60HP 45kW 50Hz 380V 83.1A 2935RPM SF 1.00 EFF 92.4% (IE1)



FOR SAFE AREA
 Mod. T16FOXON
 C0029A



For use on 60Hz
 Class I, Div 2, Gr A, B, C and D - T3
 Class I, Zone 2, IIC - T3
 Class II, Div 2, Gr F and G - T4
 For use on PWM: Gr. A, B, C, D and F,
 VT 1000:1, CT 20:1, 1.00SF - T3A



6314-C3 (27g)

6314-C3 (27g)

MOBIL POLYREX EM (4000h)

Project	Project ID	Created by	Created on	Last update
---------	------------	------------	------------	-------------