



# Technical Data - Pump

## Vertical Multistage Pump Nema - SBN 150-4-2

Revision no.

Page:  
1

Receiver

From

Company name  
Respons. Department  
Person in charge  
Phone number  
Fax no  
E-mail address

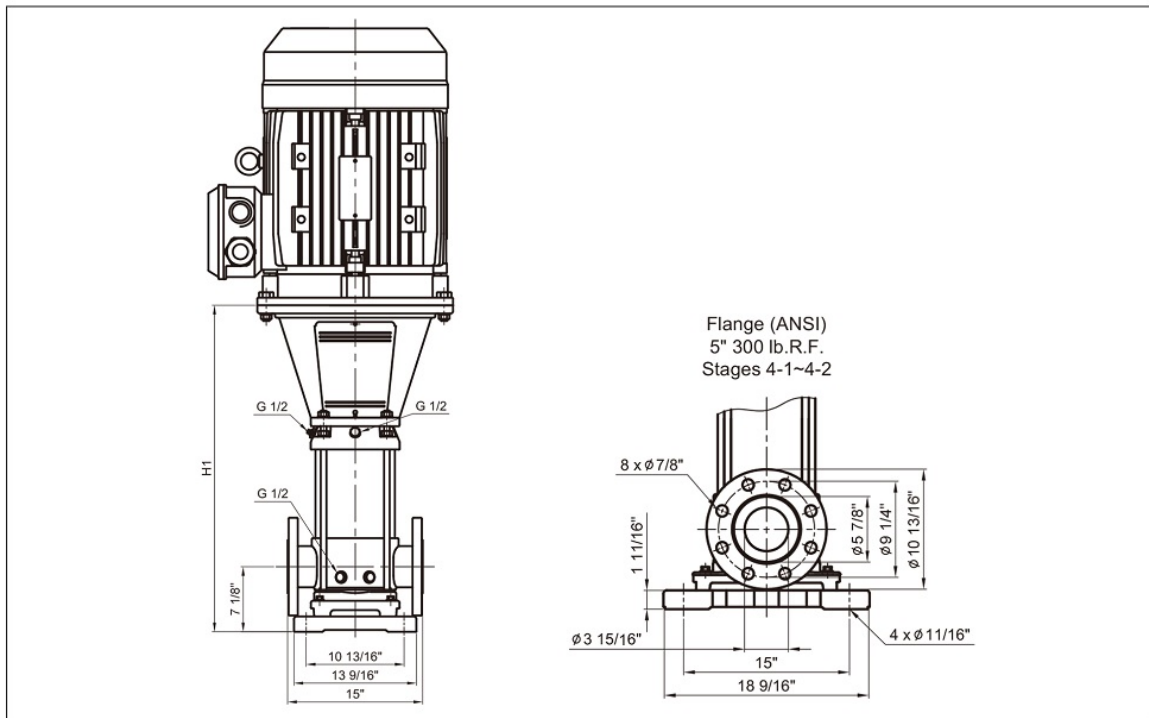



**Pump Brand: Gol Pumps**  
**Model: SBN 150-4-2**

**Motor Brand: WEG**  
**Model: 10036ET3E405TSC-W22**



### Pump Dimensions:



Pump Installation Size (inch)				
ANSI Flange	Port Size		NEMA Frame TEFC motors	Net Weight
	DNA	DNM		Lb.
H1	5	5	404/5TS	385.7

Project	Project ID	Created by	Created on	Last update
---------	------------	------------	------------	-------------



# Performance Curves

## Vertical Multistage Pump Nema - SBN 150-4-2

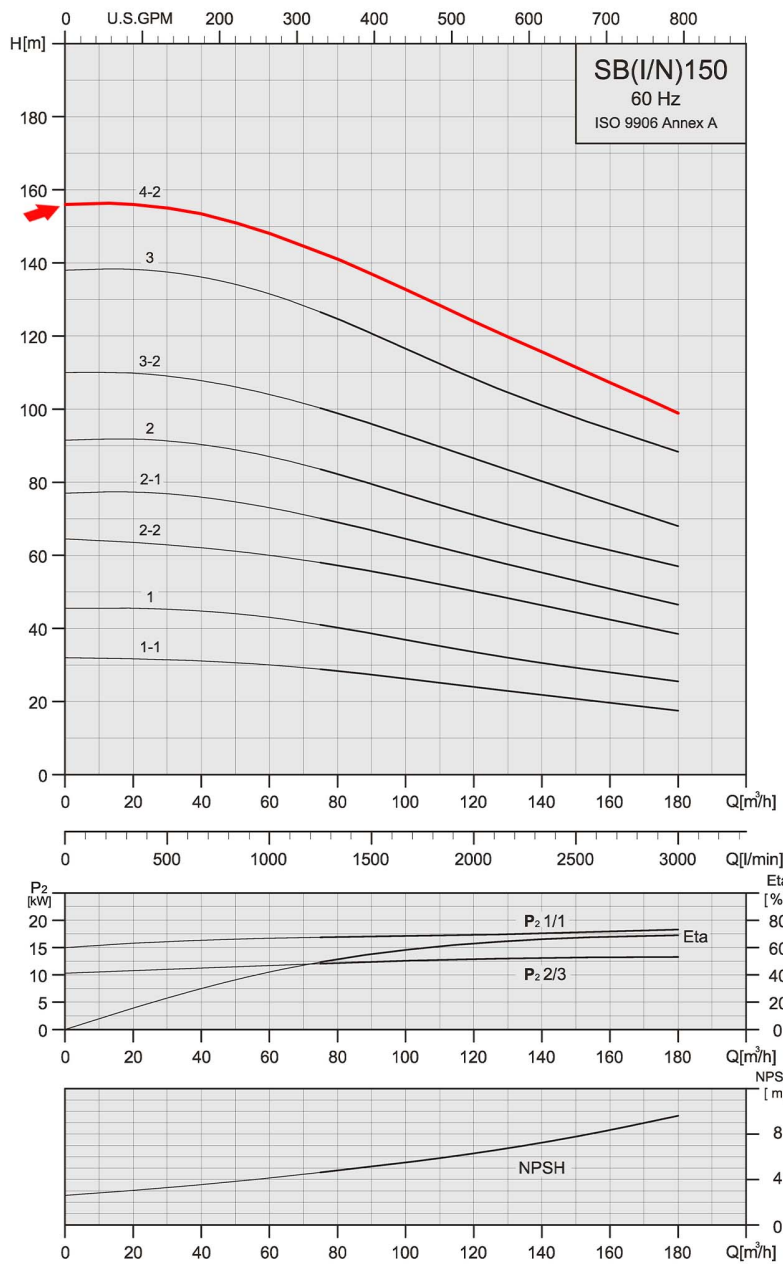
Revision no. \_\_\_\_\_

Page: 2

Receiver	From

Company name  
 Respons. Department  
 Person in charge  
 Phone number  
 Fax no  
 E-mail address

Model	Port Size (in.)		Flow	HP	Volts	Amps	Phase	Max. Head	Max. Suction	Max. PSI
	DNA	DNM	GPH		V	I Max.	Ph	Ft.	Ft.	
<b>SBN 150-4-2</b>	5	5	47700	100	230/460	224/112	Three	515	17	225



Project	Project ID	Created by	Created on	Last update
---------	------------	------------	------------	-------------



# Parts and Materials

## Vertical Multistage Pump Nema - SBN 150-4-2

Revision no.

Page:  
 3

Receiver

From

Company name  
 Respons. Department  
 Person in charge  
 Phone number  
 Fax no  
 E-mail address



	Parts List	Material	Standard	
	36 Pump Head	Stainless Steel	AISI 316	
	53 Motor Bracket (15~60HP)	Cast Iron	ASTM 35B	
		(75~100HP)	Cast Iron	ASTM 65-45-12
	17 Bearing Ring	PTFE		
	18 Impeller	Stainless Steel	AISI 316	
	37 Shaft	Stainless Steel	AISI 316	
	48 Outer Sleeve	Stainless Steel	AISI 316	
	82 O-ring for Outer Sleeve	EPDM		
	12 Chamber	Stainless Steel	AISI 316	
	24 Neck Ring	PTFE		
	59 Base	Stainless Steel	AISI 316	
	62 Base Plate	Cast Iron	ASTM 65-45-12	
	62A Base Plate	Cast Iron	ASTM 65-45-12	
	57 Mechanical Seal	Cartridge Type		
	42 Bottom Bearing Ring	SiC		

Project	Project ID	Created by	Created on	Last update
---------	------------	------------	------------	-------------



## Technical Data - Motor

### Vertical Multistage Pump Nema - SBN 150-4-2

Revision no.

Page:  
4

	Receiver	From
Company name		
Respons. Department		
Person in charge		
Phone number		
Fax no		
E-mail address		

Product line : W22 NEMA Premium Efficiency Three-Phase  
 Product code : 5160366  
 Catalog # : 10036ET3E405TSC-W22

Frame : 404/5TS Output : 100 HP (75 kW) Poles : 2 Frequency : 60 Hz Rated voltage : 230/460 V Rated current : 224/112 A L. R. Amperes : 1456/728 A LRC : 6.5x(Code G) No load current : 52.0/26.0 A Rated speed : 3545 rpm Slip : 1.53 % Rated torque : 20.5 kgfm Locked rotor torque : 240 % Breakdown torque : 260 % Insulation class : F Service factor : 1.25 Moment of inertia (J) : 0.5561 kgm <sup>2</sup> Design : B	Locked rotor time : 25s (cold) 14s (hot) Temperature rise : 80 K Duty cycle : Cont.(S1) Ambient temperature : -20°C to +40°C Altitude : 1000 m.a.s.l. Protection degree : IP55 Cooling method : IC411 - TEFC Mounting : F-1 Rotation <sup>1</sup> : Both (CW and CCW) Noise level <sup>2</sup> : 79.0 dB(A) Starting method : Direct On Line Approx. weight <sup>3</sup> : 503 kg
---	--

	25%	50%	75%	100%	
Output					Foundation loads
Efficiency (%)	0.000	93.0	94.1	94.1	Max. traction : 272 kgf
Power Factor	0.00	0.83	0.88	0.89	Max. compression : 775 kgf

	<u>Drive end</u>	<u>Non drive end</u>
Bearing type	6314 C3	6314 C3
Sealing	WSeal	WSeal
Lubrication interval	4000 h	4000 h
Lubricant amount	27 g	27 g
Lubricant type	Mobil Polyrex EM	

Notes:  
 USABLE @208V 243A SF 1.10 SFA 268A

This revision replaces and cancel the previous one, which must be eliminated. (1) Looking the motor from the shaft end. (2) Measured at 1m and with tolerance of +3dB(A). (3) Approximate weight subject to changes after manufacturing process. (4) At 100% of full load.	These are average values based on tests with sinusoidal power supply, subject to the tolerances stipulated in NEMA MG-1.
--	--

Project	Project ID	Created by	Created on	Last update



# Dimensions and Nameplate

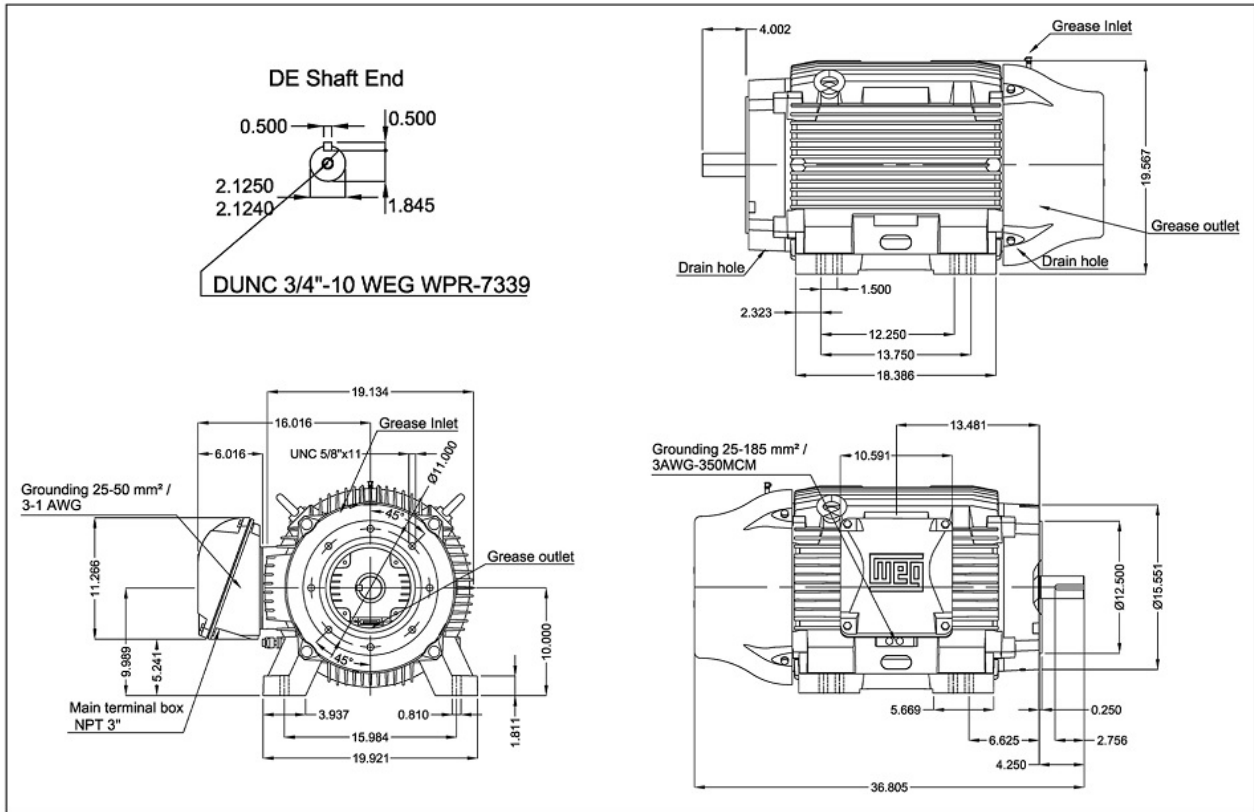
## Vertical Multistage Pump Nema - SBN 150-4-2

Revision no. \_\_\_\_\_

Page: 5

	Receiver	From
Company name		
Respons. Department		
Person in charge		
Phone number		
Fax no		
E-mail address		

### Motor Dimensions:



### Motor Nameplate:

MADE IN MEXICO  
11165996

MODEL 10036ET3E40STSE W22

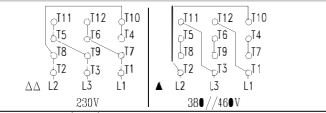
<p>Inverter Duty Motor Severe Duty</p> <p>PH3 60Hz Fr. 404/5TS 1000m.a.s.l. IP55 TEFC 11561b</p> <p>V 230/460</p> <p>HP 100</p> <p>SF 1.25</p> <p>RPM 3545</p> <p>AMB 40°C</p> <p>DUTY CONT.</p>	<p>A 224/112</p> <p>kW 75</p> <p>SFA 280/140</p> <p>PF 0.89</p> <p>INS cl. F DT80K NEMA NOM EFF 94.1%</p> <p>DES B Code G</p>
--	---

75HP 55kW 50Hz 380V 99.6A 2955RPM SF 1.00 EFF 94.3% (IE3)

FOR SAFE AREA  
Mod. TE1BF0XON  
CC029A

US

For use on 60Hz  
Class I, Div 2, Gr A, B, C and D - T3  
Class I, Zone 2, IIC - T3  
Class II, Div 2, Gr F and G - T4  
For use on PWM: Gr. A, B, C, D and F,  
VT 1000-1, CT 20-1, 1.00SF - TSA



- 6314-C3 (27g)
- 6314-C3 (27g)
- MOBIL POLYREX EM (4000h)

Project	Project ID	Created by	Created on	Last update
---------	------------	------------	------------	-------------