



Technical Data - Pump

Vertical Multistage Pump Nema - SBN 32-6

Revision no.

Page:
 1

Company name
 Respons. Department
 Person in charge
 Phone number
 Fax no
 E-mail address

Receiver

From

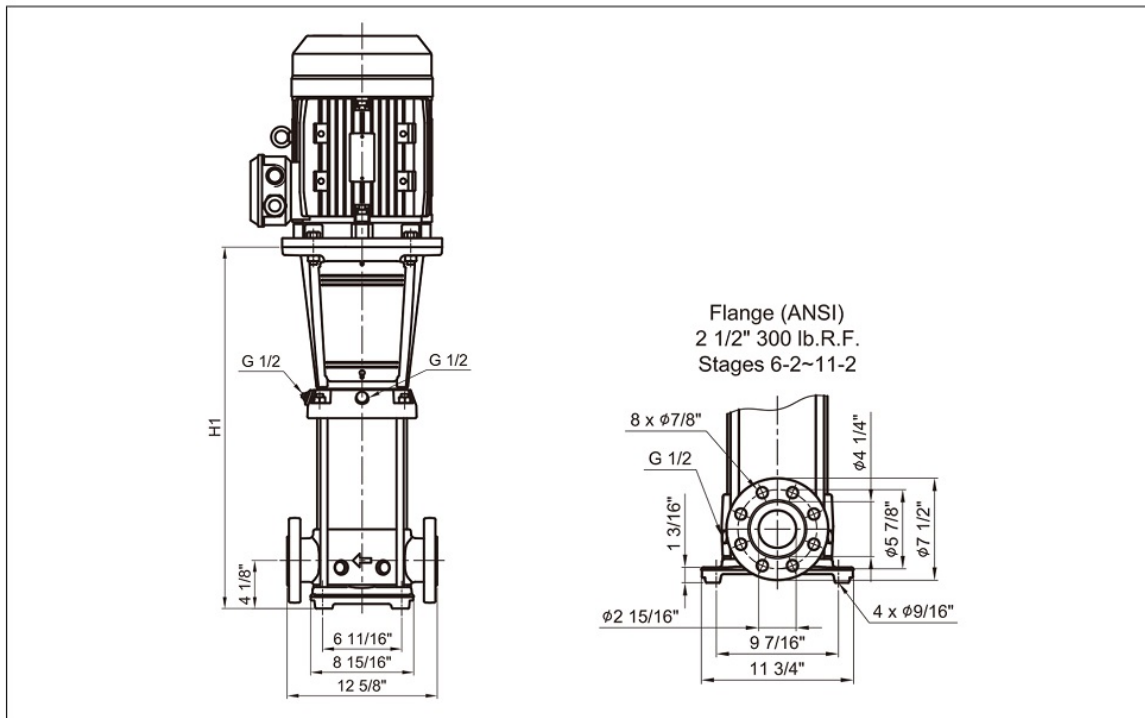


Pump Brand: Gol Pumps
Model: SBN 32-6

Motor Brand: WEG
Model: 02536ET3ER284TSC-W22



Pump Dimensions:



Pump Installation Size (inch)				
ANSI Flange	Port Size		NEMA Frame TEFC motors	Net Weight
	DNA	DNM		Lb.
H1	2 1/2	2 1/2	284TSC	166.6

Project	Project ID	Created by	Created on	Last update
---------	------------	------------	------------	-------------



Performance Curves

Vertical Multistage Pump Nema - SBN 32-6

Revision no.

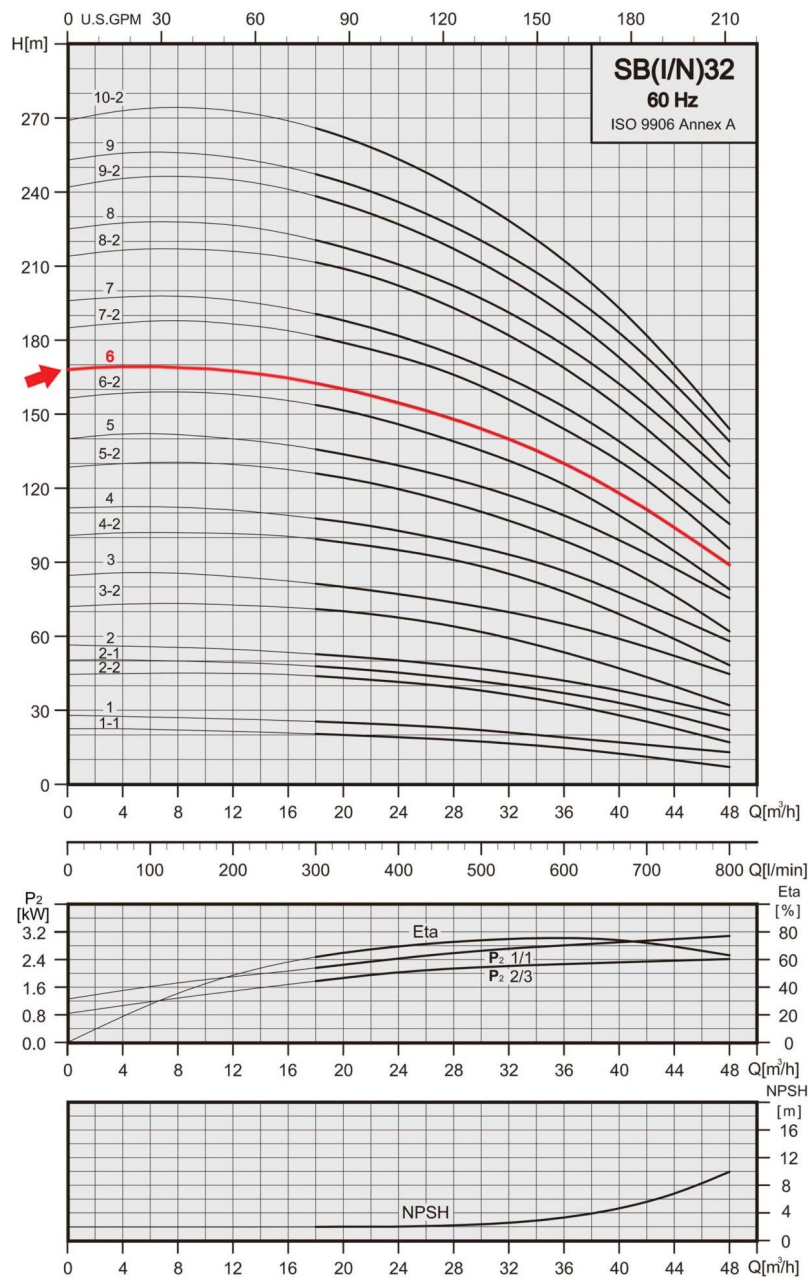
 Page:
2

Receiver

From

 Company name
 Respons. Department
 Person in charge
 Phone number
 Fax no
 E-mail address

Model	Port Size (in.)		Flow	HP	Volts	Amps	Phase	Max. Head	Max. Suction	Max. PSI
	DNA	DNM	GPH		V	I Max.	Ph	Ft.	Ft.	
SBN 32-6	2 1/2	2 1/2	12600	25	230/460	57.5/28.8	Three	557	17	245



Project

Project ID

Created by

Created on

Last update



Parts and Materials

Vertical Multistage Pump Nema - SBN 32-6

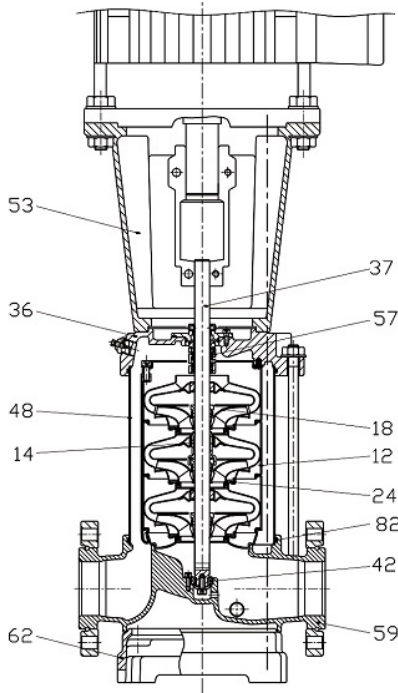
Revision no.

Page:
 3

Receiver

From

Company name
 Respons. Department
 Person in charge
 Phone number
 Fax no
 E-mail address



Parts List	Material	Standard
36 Pump Head	Stainless Steel	AISI 316
53 Motor Bracket	Cast Iron	ASTM 35B
18 Impeller	Stainless Steel	AISI 316
37 Shaft	Stainless Steel	AISI 316
48 Outer Sleeve	Stainless Steel	AISI 316
82 O-ring for Outer Sleeve	EPDM	
12 Chamber	Stainless Steel	AISI 316
24 Neck Ring	Carbon Fiber + POB + PTFE	
59 Base	Stainless Steel	AISI 316
62 Base Plate	Cast Iron	ASTM 35B
57 Mechanical Seal	Cartridge Type	
14 Bearing Ring	POB + Graphite + PTFE	
42 Bottom Bearing Ring	Tungsten Carbide	

Project	Project ID	Created by	Created on	Last update
---------	------------	------------	------------	-------------



Technical Data - Motor

Vertical Multistage Pump Nema - SBN 32-6

Revision no.

Page:
4

Receiver	From
----------	------

Company name
 Respons. Department
 Person in charge
 Phone number
 Fax no
 E-mail address

Product line : W22 NEMA Premium Efficiency Three-Phase Product code : 13472720
 Catalog # : 02536ET3ER284TSC-W22

Frame : 284TSC Output : 25 HP (18.5 kW) Poles : 2 Frequency : 60 Hz Rated voltage : 230/460 V Rated current : 57.5/28.8 A L. R. Amperes : 363/181 A LRC : 6.3x(Code G) No load current : 16.3/8.15 A Rated speed : 3545 rpm Slip : 1.53 % Rated torque : 37.0 ft.lb Locked rotor torque : 200 % Breakdown torque : 250 % Insulation class : F Service factor : 1.25 Moment of inertia (J) : 2.69 sq.ft.lb Design : B	Locked rotor time : 30s (cold) 17s (hot) Temperature rise : 80 K Duty cycle : Cont.(S1) Ambient temperature : -20°C to +40°C Altitude : 1000 m.a.s.l. Protection degree : IP55 Cooling method : IC411 - TEFC Mounting : W-6 Rotation ¹ : Both (CW and CCW) Noise level ² : 72.0 dB(A) Starting method : Direct On Line Approx. weight ³ : 366 lb
---	--

Output	25%	50%	75%	100%	Foundation loads
Efficiency (%)	90.8	91.0	91.7	91.7	Max. traction : 284 lb
Power Factor	0.54	0.78	0.85	0.88	Max. compression : 650 lb

Losses at normative operating points (speed;torque), in percentage of rated output power

P1 (0,9;1,0)	P2 (0,5;1,0)	P3 (0,25;1,0)	P4 (0,9;0,5)	P5 (0,5;0,5)	P6 (0,5;0,25)	P7 (0,25;0,25)
8.1	5.6	4.9	4.8	2.5	1.7	0.9

	<u>Drive end</u>	<u>Non drive end</u>
Bearing type :	6311 C3	6211 C3
Sealing :	V'Ring	V'Ring
Lubrication interval :	7000 h	8000 h
Lubricant amount :	18 g	11 g
Lubricant type :	Mobil Polyrex EM	

Notes:
 USABLE @208V 63.0A SF 1.10 SFA 69.3A

This revision replaces and cancel the previous one, which must be eliminated.
 (1) Looking the motor from the shaft end.
 (2) Measured at 1m and with tolerance of +3dB(A).
 (3) Approximate weight subject to changes after manufacturing process.
 (4) At 100% of full load.

These are average values based on tests with sinusoidal power supply, subject to the tolerances stipulated in NEMA MG-1.

Project	Project ID	Created by	Created on	Last update
---------	------------	------------	------------	-------------



Dimensions and Nameplate

Vertical Multistage Pump Nema - SBN 32-6

Revision no. _____

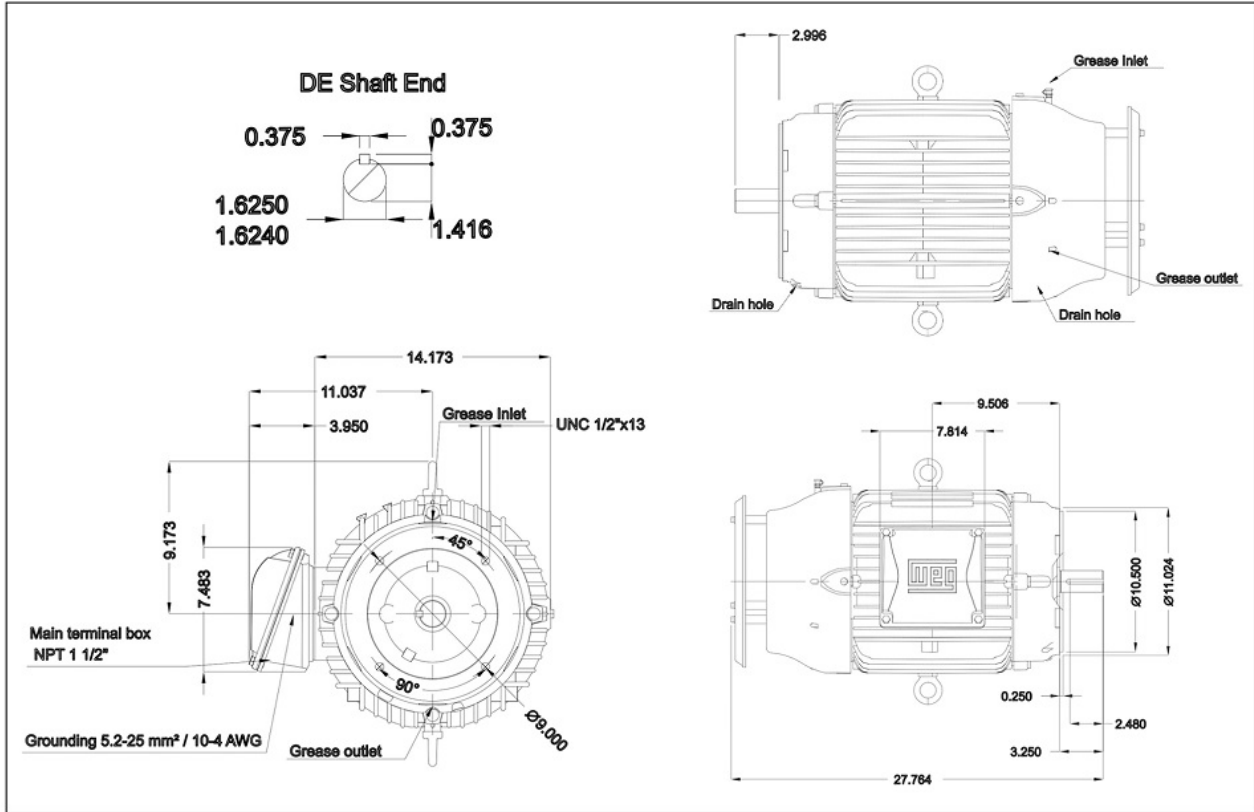
Page: 5

Receiver _____

From _____

Company name _____
 Respons. Department _____
 Person in charge _____
 Phone number _____
 Fax no _____
 E-mail address _____

Motor Dimensions:



Motor Nameplate:



MODEL 02536ET3ER284TSC-W22

MADE IN BRAZIL
13472720

Inverter Duty Motor
Severe Duty

PH3 60Hz Fr. 284TSC 1000m.a.s.l. IP55 TEFC 3661b

V 230/460 A 57.5/28.8

HP 25 kW 18.5

SF 1.25 SFA 71.9/36.0

RPM 3545 PF 0.88

AMB 40°C INS cl. F DT80K NEMA NOM EFF 91.7%

DUTY CONT. DES B Code G

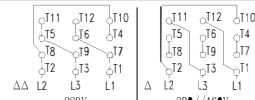
25HP 18.5kW 50Hz 380V 35.3A 2915RPM SF 1.00 EFF 89.5% (IE1)



FOR SAFE AREA
Mod. TC16FOXON
CC029A



For use on 60Hz
Class I, Div 2, Gr A, B, C and D - T3
Class I, Zone 2, IIC - T3
Class II, Div 2, Gr F and G - T4
For use on PWM: Gr. A, B, C, D and F,
VT 1000-1, CT 20-1, 1.00SF - T3A



→ 6311-C3 (18g)

→ 6211-C3 (11g)

MOBIL POLYREX EM (7000h)

Project	Project ID	Created by	Created on	Last update
---------	------------	------------	------------	-------------