



## Technical Data - Pump

### Vertical Multistage Pump Nema - SBN 45-4

Revision no.

Page:  
1

Receiver

From

Company name  
Respons. Department  
Person in charge  
Phone number  
Fax no  
E-mail address

--	--

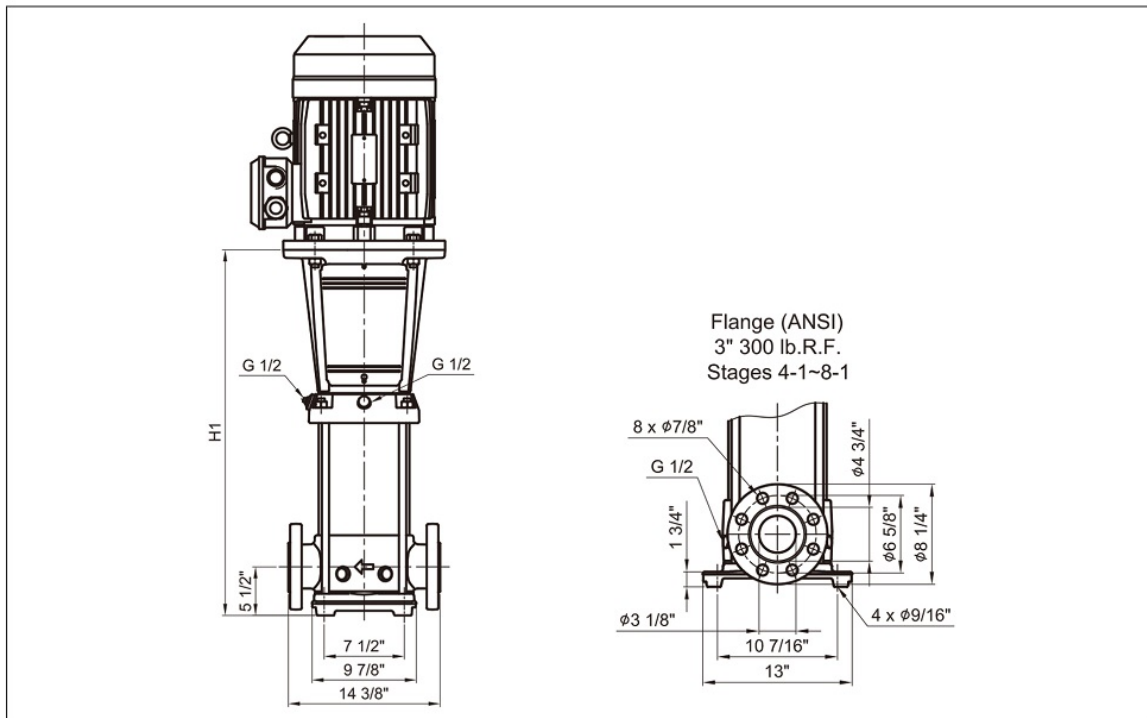


**Pump Brand: Gol Pumps**  
**Model: SBN 45-4**

**Motor Brand: WEG**  
**Model: 03036ET3ER286TSC-W22**



### Pump Dimensions:



Pump Installation Size (inch)				
ANSI Flange	Port Size		NEMA Frame TEFC motors	Net Weight
	DNA	DNM		Lb.
H1	3	3	286TSC	172.2

Project	Project ID	Created by	Created on	Last update
---------	------------	------------	------------	-------------



# Performance Curves

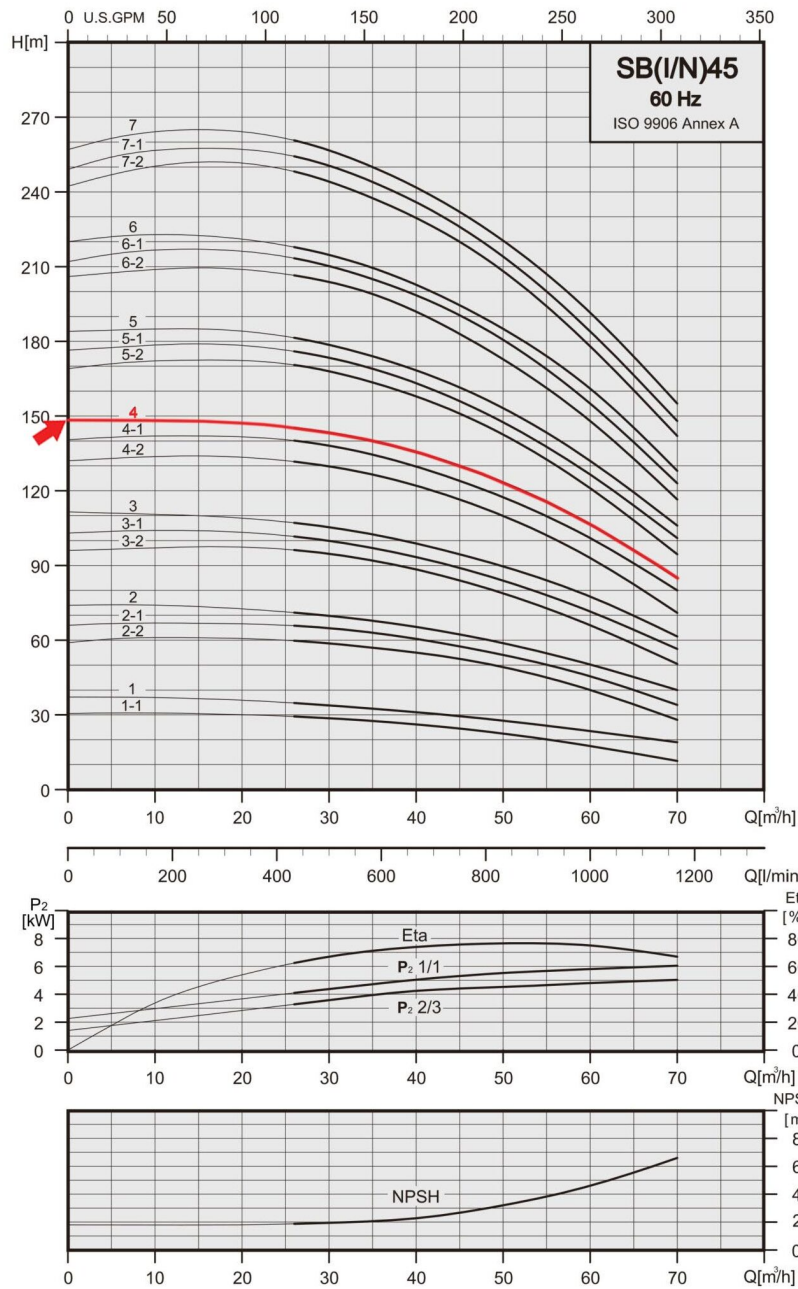
## Vertical Multistage Pump Nema - SBN 45-4

Revision no. \_\_\_\_\_  
 Page: 2

Receiver	From

Company name \_\_\_\_\_  
 Respons. Department \_\_\_\_\_  
 Person in charge \_\_\_\_\_  
 Phone number \_\_\_\_\_  
 Fax no \_\_\_\_\_  
 E-mail address \_\_\_\_\_

Model	Port Size (in.)		Flow	HP	Volts	Amps	Phase	Max. Head	Max. Suction	Max. PSI
	DNA	DNM	GPH		V	I Max.	Ph	Ft.	Ft.	
<b>SBN 45-4</b>	3	3	18600	30	230/460	68.4/34.2	Three	485	17	215



Project	Project ID	Created by	Created on	Last update
---------	------------	------------	------------	-------------



# Parts and Materials

## Vertical Multistage Pump Nema - SBN 45-4

Revision no.

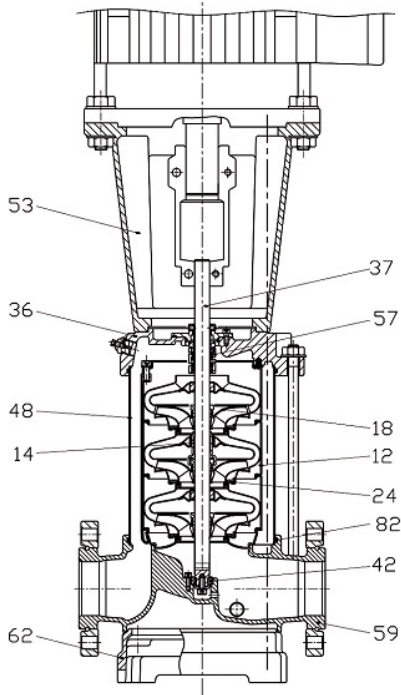
Page:  
 3

Receiver

From

Company name  
 Respons. Department  
 Person in charge  
 Phone number  
 Fax no  
 E-mail address





Parts List	Material	Standard
36 Pump Head	Stainless Steel	AISI 316
53 Motor Bracket	Cast Iron	ASTM 35B
18 Impeller	Stainless Steel	AISI 316
37 Shaft	Stainless Steel	AISI 316
48 Outer Sleeve	Stainless Steel	AISI 316
82 O-ring for Outer Sleeve	EPDM	
12 Chamber	Stainless Steel	AISI 316
24 Neck Ring	Carbon Fiber + POB + PTFE	
59 Base	Stainless Steel	AISI 316
62 Base Plate	Cast Iron	ASTM 35B
57 Mechanical Seal	Cartridge Type	
14 Bearing Ring	POB + Graphite + PTFE	
42 Bottom Bearing Ring	Tungsten Carbide	

Project	Project ID	Created by	Created on	Last update
---------	------------	------------	------------	-------------



## Technical Data - Motor

### Vertical Multistage Pump Nema - SBN 45-4

Revision no. \_\_\_\_\_

Page: 4

Receiver \_\_\_\_\_ From \_\_\_\_\_

Company name \_\_\_\_\_  
 Respons. Department \_\_\_\_\_  
 Person in charge \_\_\_\_\_  
 Phone number \_\_\_\_\_  
 Fax no \_\_\_\_\_  
 E-mail address \_\_\_\_\_

\_\_\_\_\_

\_\_\_\_\_

Product line : W22 NEMA Premium Efficiency Three-Phase      Product code : 13472721  
 Catalog # : 03036ET3ER286TSC-W22

Frame : 286TSC  
 Output : 30 HP (22 kW)  
 Poles : 2  
 Frequency : 60 Hz  
 Rated voltage : 230/460 V  
 Rated current : 68.4/34.2 A  
 L. R. Amperes : 431/216 A  
 LRC : 6.3x(Code G)  
 No load current : 18.2/9.10 A  
 Rated speed : 3545 rpm  
 Slip : 1.53 %  
 Rated torque : 44.4 ft.lb  
 Locked rotor torque : 200 %  
 Breakdown torque : 250 %  
 Insulation class : F  
 Service factor : 1.25  
 Moment of inertia (J) : 3.37 sq.ft.lb  
 Design : B

Locked rotor time : 27s (cold) 15s (hot)  
 Temperature rise : 80 K  
 Duty cycle : Cont.(S1)  
 Ambient temperature : -20°C to +40°C  
 Altitude : 1000 m.a.s.l.  
 Protection degree : IP55  
 Cooling method : IC411 - TEFC  
 Mounting : W-6  
 Rotation<sup>1</sup> : Both (CW and CCW)  
 Noise level<sup>2</sup> : 72.0 dB(A)  
 Starting method : Direct On Line  
 Approx. weight<sup>3</sup> : 389 lb

Output	25%	50%	75%	100%
Efficiency (%)	91.6	91.7	91.7	91.7
Power Factor	0.57	0.80	0.86	0.88

Foundation loads  
 Max. traction : 367 lb  
 Max. compression : 756 lb

Losses at normative operating points (speed;torque), in percentage of rated output power

P1 (0,9;1,0)	P2 (0,5;1,0)	P3 (0,25;1,0)	P4 (0,9;0,5)	P5 (0,5;0,5)	P6 (0,5;0,25)	P7 (0,25;0,25)
8.5	6.5	5.6	4.3	2.5	1.6	0.9

	Drive end	Non drive end
Bearing type :	6311 C3	6211 C3
Sealing :	V'Ring	V'Ring
Lubrication interval :	7000 h	8000 h
Lubricant amount :	18 g	11 g
Lubricant type :	Mobil Polyrex EM	

Notes:  
 USABLE @208V 76.7A SF 1.10 SFA 84.4A

This revision replaces and cancel the previous one, which must be eliminated.  
 (1) Looking the motor from the shaft end.  
 (2) Measured at 1m and with tolerance of +3dB(A).  
 (3) Approximate weight subject to changes after manufacturing process.  
 (4) At 100% of full load.

These are average values based on tests with sinusoidal power supply, subject to the tolerances stipulated in NEMA MG-1.

Project	Project ID	Created by	Created on	Last update
---------	------------	------------	------------	-------------



# Dimensions and Nameplate

## Vertical Multistage Pump Nema - SBN 45-4

Revision no. \_\_\_\_\_

Page: 5

Receiver \_\_\_\_\_

From \_\_\_\_\_

Company name \_\_\_\_\_  
 Respons. Department \_\_\_\_\_  
 Person in charge \_\_\_\_\_  
 Phone number \_\_\_\_\_  
 Fax no \_\_\_\_\_  
 E-mail address \_\_\_\_\_

\_\_\_\_\_

\_\_\_\_\_

\_\_\_\_\_

\_\_\_\_\_

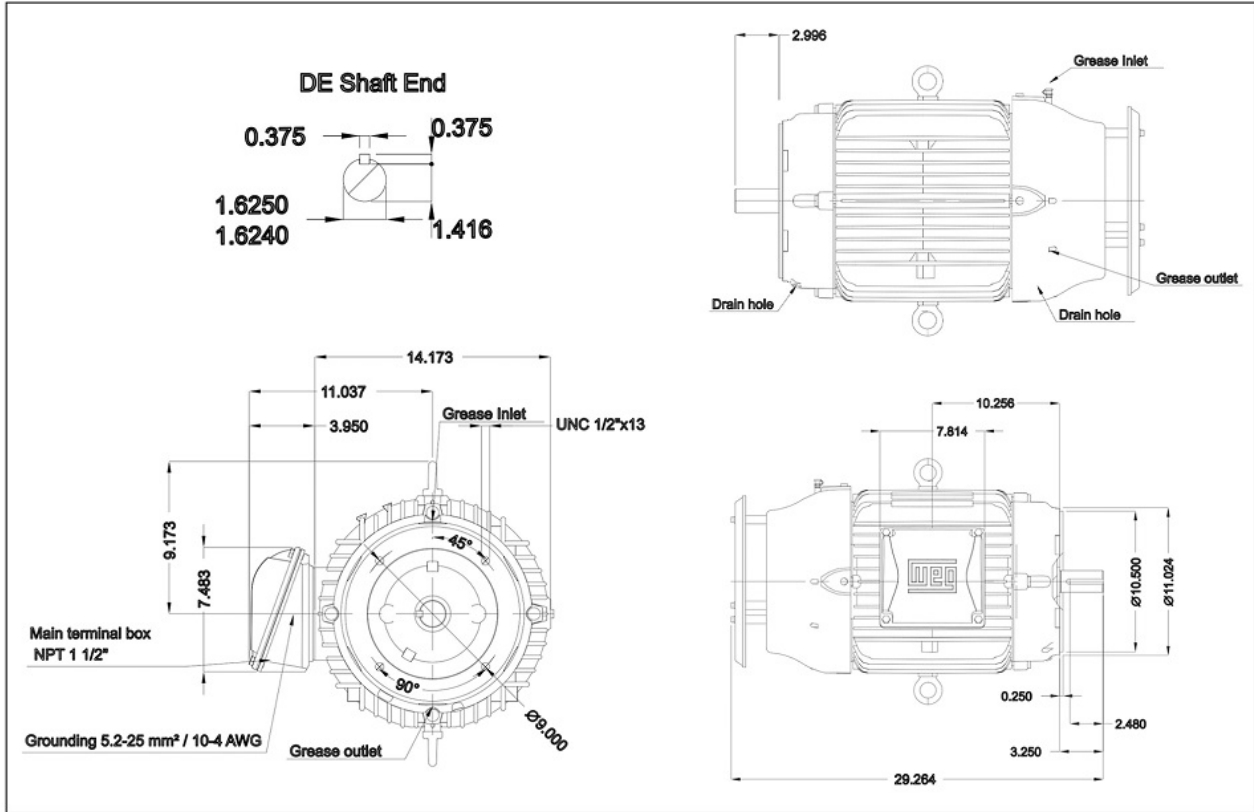
\_\_\_\_\_

\_\_\_\_\_

\_\_\_\_\_

\_\_\_\_\_

### Motor Dimensions:



### Motor Nameplate:



MODEL 03036ET3ER286TSC-W22

MADE IN BRAZIL  
13472721

Inverter Duty Motor  
Severe Duty

PH3 60Hz Fr. 286TSC 1000m.a.s.l. IP55 TEFC 389lb

V 230/460 A 68.4/34.2

HP 30 kW 22

SF 1.25 SFA 85.5/42.8

RPM 3545 PF 0.88

AMB 40°C INS cl. F DT80K NEMA NOM EFF 91.7%

DUTY CONT. DES B Code G

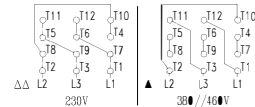
30HP 22kW 50Hz 380V 42.0A 2910RPM SF 1.00 EFF 89.5%



FOR SAFE AREA  
Mod.TE1BFOXN  
CCO29A



For use on 60Hz  
Class I, Div 2, Gr A, B, C and D - T3  
Class I, Zone 2, IC - T3  
Class II, Div 2, Gr F and G - T4  
For use on PWM: Gr. A, B, C, D and F,  
VT 1000:1, CT 20:1, 1.00SF - TSA



→ 6311-C3 (18g)

→ 6211-C3 (11g)

MOBIL POLYREX EM (7000h)

Project	Project ID	Created by	Created on	Last update
---------	------------	------------	------------	-------------