



Technical Data - Pump

Vertical Multistage Pump Nema - SBN 45-6

Revision no.

Page:
 1

Company name
 Respons. Department
 Person in charge
 Phone number
 Fax no
 E-mail address

Receiver

From

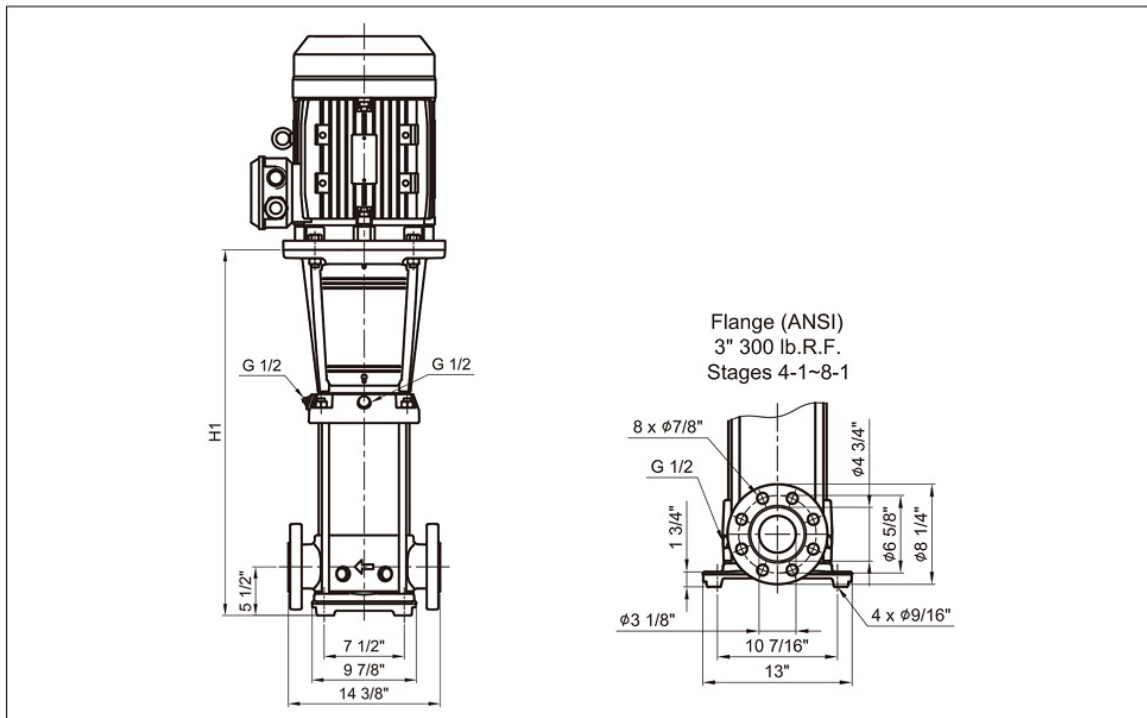


Pump Brand: Gol Pumps
Model: SBN 45-6

Motor Brand: WEG
Model: 05036ET3E326TSC-W22



Pump Dimensions:



Pump Installation Size (inch)				
ANSI Flange	Port Size		NEMA Frame TEFC motors	Net Weight
	DNA	DNM		Lb.
H1	3	3	324/6TSC	205.8

Project	Project ID	Created by	Created on	Last update
---------	------------	------------	------------	-------------



Performance Curves

Vertical Multistage Pump Nema - SBN 45-6

Revision no.

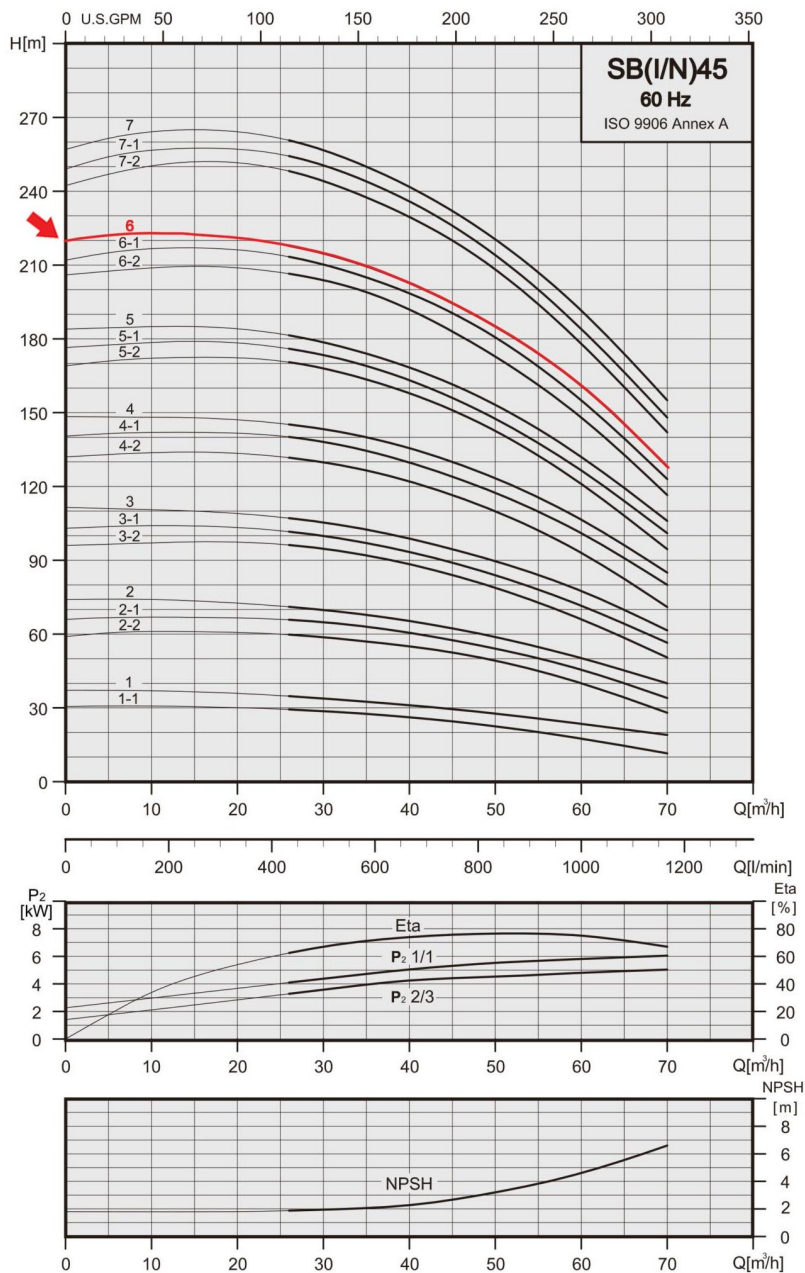
Page:
 2

Receiver

From

Company name
 Respons. Department
 Person in charge
 Phone number
 Fax no
 E-mail address

Model	Port Size (in.)		Flow	HP	Volts	Amps	Phase	Max. Head	Max. Suction	Max. PSI
	DNA	DNM	GPH		V	I Max.	Ph	Ft.	Ft.	
SBN 45-6	3	3	18600	50	230/460	112/56.1	Three	731	17	325



Project	Project ID	Created by	Created on	Last update
---------	------------	------------	------------	-------------



Parts and Materials

Vertical Multistage Pump Nema - SBN 45-6

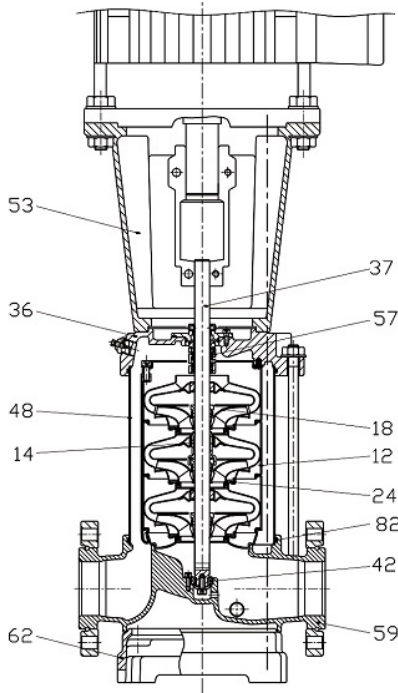
Revision no.

Page:
 3

Receiver

From

Company name
 Respons. Department
 Person in charge
 Phone number
 Fax no
 E-mail address



Parts List	Material	Standard
36 Pump Head	Stainless Steel	AISI 316
53 Motor Bracket	Cast Iron	ASTM 35B
18 Impeller	Stainless Steel	AISI 316
37 Shaft	Stainless Steel	AISI 316
48 Outer Sleeve	Stainless Steel	AISI 316
82 O-ring for Outer Sleeve	EPDM	
12 Chamber	Stainless Steel	AISI 316
24 Neck Ring	Carbon Fiber + POB + PTFE	
59 Base	Stainless Steel	AISI 316
62 Base Plate	Cast Iron	ASTM 35B
57 Mechanical Seal	Cartridge Type	
14 Bearing Ring	POB + Graphite + PTFE	
42 Bottom Bearing Ring	Tungsten Carbide	

Project	Project ID	Created by	Created on	Last update
---------	------------	------------	------------	-------------



Technical Data - Motor

Vertical Multistage Pump Nema - SBN 45-6

Revision no. _____

Page: 4

Receiver _____ From _____

Company name _____
 Respons. Department _____
 Person in charge _____
 Phone number _____
 Fax no _____
 E-mail address _____

Product line : W22 NEMA Premium Efficiency Three-Phase Product code : 11440690
 Catalog # : 05036ET3E326TSC-W22

Frame : 324/6TSC
 Output : 50 HP (37 kW)
 Poles : 2
 Frequency : 60 Hz
 Rated voltage : 230/460 V
 Rated current : 112/56.1 A
 L. R. Amperes : 707/353 A
 LRC : 6.3x(Code G)
 No load current : 28.0/14.0 A
 Rated speed : 3560 rpm
 Slip : 1.11 %
 Rated torque : 73.8 ft.lb
 Locked rotor torque : 240 %
 Breakdown torque : 240 %
 Insulation class : F
 Service factor : 1.25
 Moment of inertia (J) : 5.75 sq.ft.lb
 Design : B

Locked rotor time : 36s (cold) 20s (hot)
 Temperature rise : 80 K
 Duty cycle : Cont.(S1)
 Ambient temperature : -20°C to +40°C
 Altitude : 1000 m.a.s.l.
 Protection degree : IP55
 Cooling method : IC411 - TEFC
 Mounting : F-1
 Rotation¹ : Both (CW and CCW)
 Noise level² : 76.0 dB(A)
 Starting method : Direct On Line
 Approx. weight³ : 559 lb

Output	25%	50%	75%	100%	Foundation loads	
Efficiency (%)	0.000	93.0	93.0	93.0	Max. traction	: 471 lb
Power Factor	0.00	0.81	0.87	0.89	Max. compression	: 1030 lb

Losses at normative operating points (speed;torque), in percentage of rated output power

P1 (0,9;1,0)	P2 (0,5;1,0)	P3 (0,25;1,0)	P4 (0,9;0,5)	P5 (0,5;0,5)	P6 (0,5;0,25)	P7 (0,25;0,25)
6.8	4.4	3.5	4.1	2.0	1.5	0.7

	<u>Drive end</u>	<u>Non drive end</u>
Bearing type :	6312 C3	6212 C3
Sealing :	V'Ring	V'Ring
Lubrication interval :	12000 h	15000 h
Lubricant amount :	21 g	13 g
Lubricant type :	Mobil Polyrex EM	

Notes
 USABLE @208V 124A SF 1.10 SFA 136A

This revision replaces and cancel the previous one, which must be eliminated.
 (1) Looking the motor from the shaft end.
 (2) Measured at 1m and with tolerance of +3dB(A).
 (3) Approximate weight subject to changes after manufacturing process.
 (4) At 100% of full load.

These are average values based on tests with sinusoidal power supply, subject to the tolerances stipulated in NEMA MG-1.

Project	Project ID	Created by	Created on	Last update
---------	------------	------------	------------	-------------



Dimensions and Nameplate

Vertical Multistage Pump Nema - SBN 45-6

Revision no.

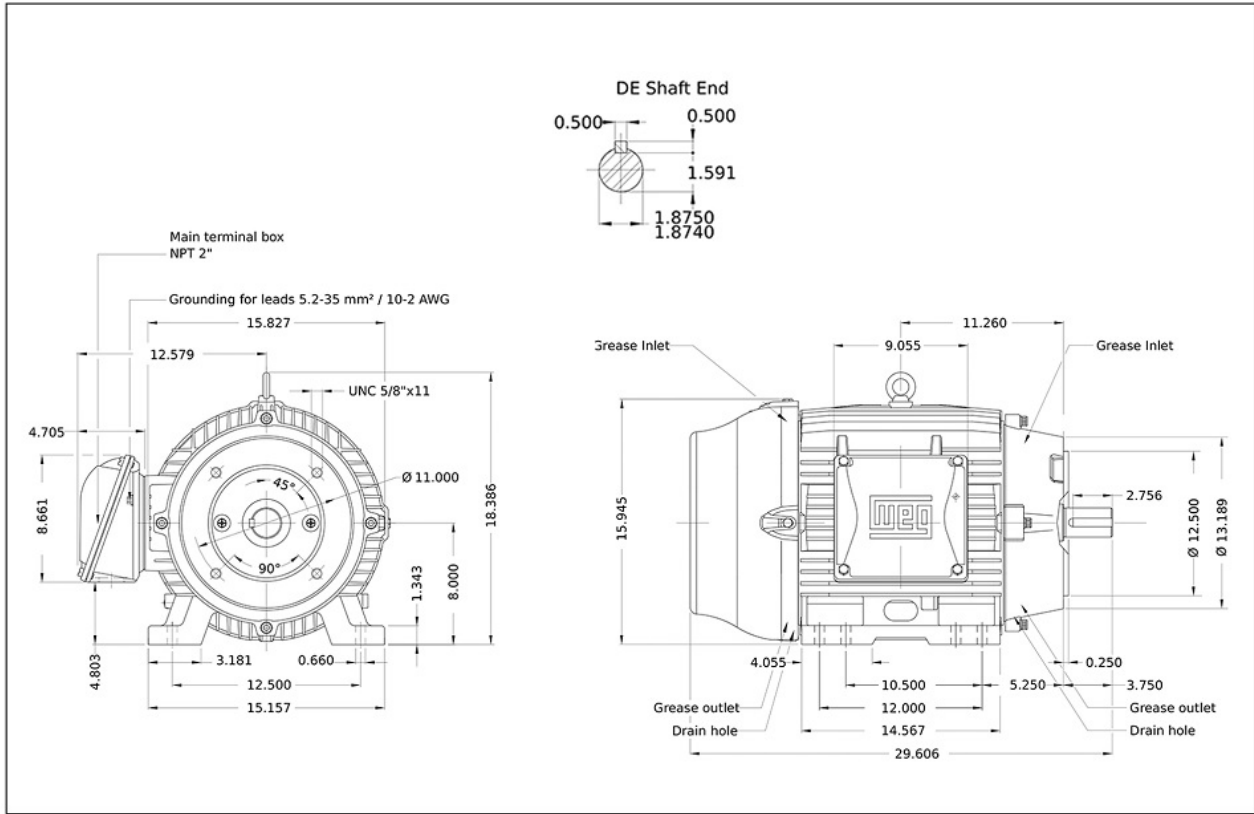
Page:
 5

Receiver

From

Company name
 Respons. Department
 Person in charge
 Phone number
 Fax no
 E-mail address

Motor Dimensions:



Motor Nameplate:

MODEL 05036FT3E326TSC-W22 MADE IN MEXICO 11440690				3PT9 LISTED FOR SAFE AREA MOD.TE1BFOXON	For 60Hz: Class I, Div 2, Gr. A, B, C and D - T3 Class I, Zone 2, IIC - T3 Class II, Div 2, Gr. F and G - T4 For 60Hz use on PWM, Gr. A, B, C, D and F,			
	Inverter Duty Motor Severe Duty							
	PH 3	FR 324/6TSC	HP(kw) 50.0(37.0)	Hz 60	<table border="0" style="width: 100%;"> <tr> <td style="text-align: center;"> </td> <td style="text-align: center;"> </td> </tr> </table>			
	V 230/460	A 112/56.1	RPM 3550	DES B				
NEMA NOM EFF 93.0 %	INS. CL. F	ΔT 80 K	IP55					
ENCL TEFC	DUTY CONT.	AMB. 40°C						
CODE F	PF 0.89	SF 1.25	SFA 140/70.1	→ 6312-C3 MOBIL POLYREX EM → 6212-C3 21 g 12000 h				
50HP 37kW 50Hz 380V 69.4A 2935RPM SF1.00 EFF 91.0%			ALT 1000	m.a.s.l.	591 Lbs			

Project	Project ID	Created by	Created on	Last update
---------	------------	------------	------------	-------------