



Technical Data - Pump

Vertical Multistage Pump Nema - SBN 64-2

Revision no.

Page:
 1

Company name
 Respons. Department
 Person in charge
 Phone number
 Fax no
 E-mail address

Receiver

From

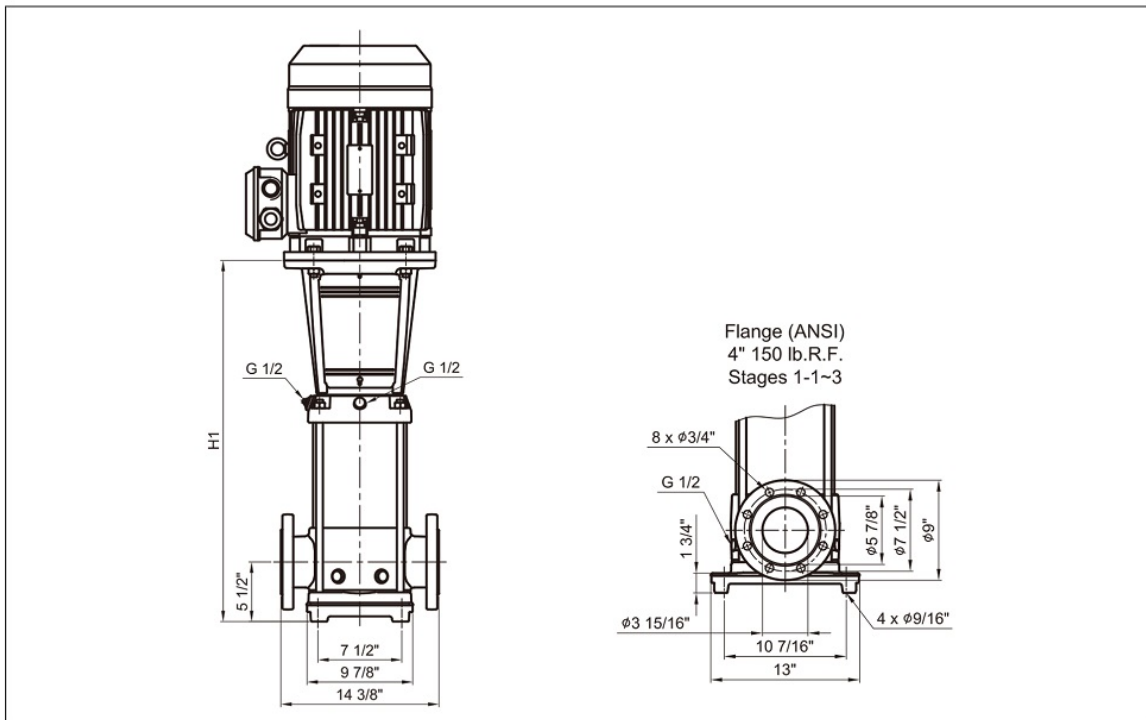


Pump Brand: Gol Pumps
Model: SBN 64-2

Motor Brand: WEG
Model: 03036ET3ER286TSC-W22



Pump Dimensions:



Pump Installation Size (inch)				
ANSI Flange	Port Size		NEMA Frame TEFC motors	Net Weight
	DNA	DNM		Lb.
H1	4	4	284TSC	147.1

Project	Project ID	Created by	Created on	Last update
---------	------------	------------	------------	-------------



Performance Curves

Vertical Multistage Pump Nema - SBN 64-2

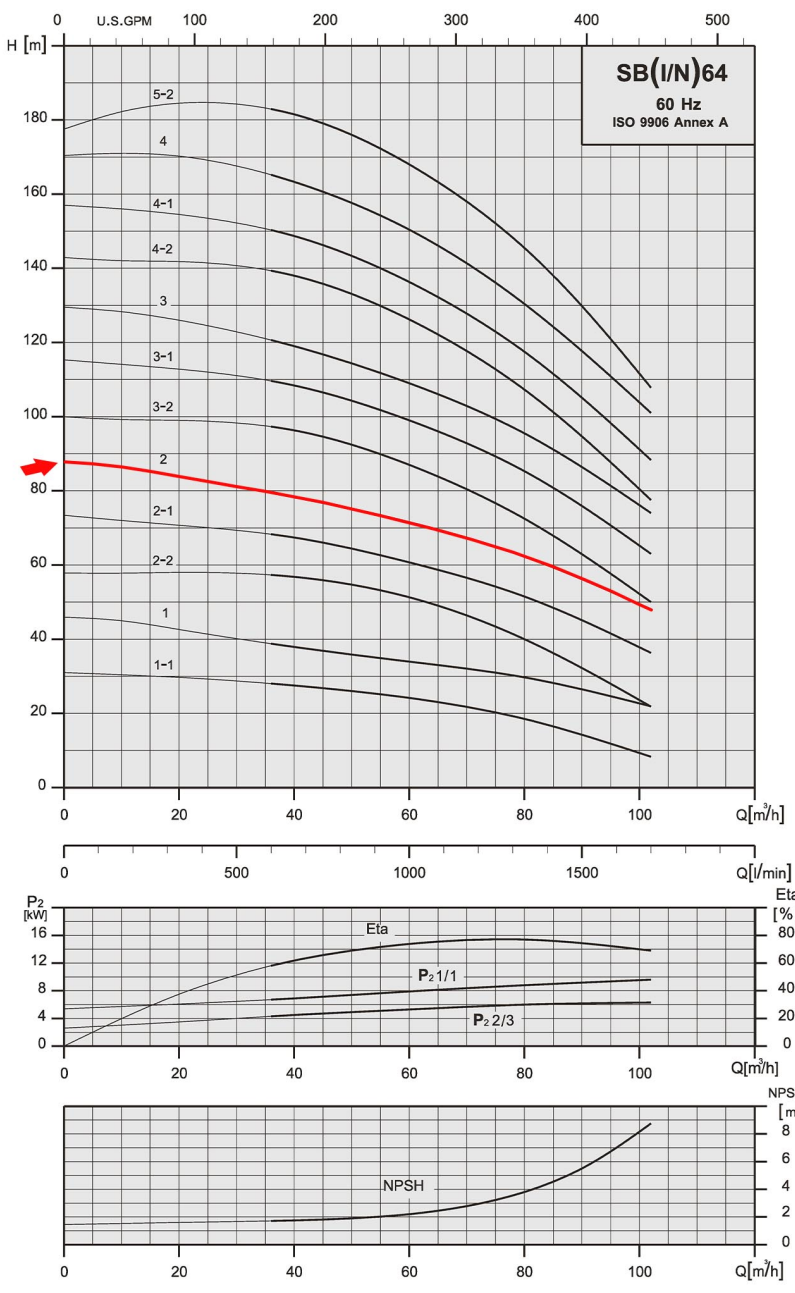
Revision no. _____

Page:
 2

Receiver	From

Company name _____
 Respons. Department _____
 Person in charge _____
 Phone number _____
 Fax no _____
 E-mail address _____

Model	Port Size (in.)		Flow	HP	Volts	Amps	Phase	Max. Head	Max. Suction	Max. PSI
	DNA	DNM	GPH		V	I Max.	Ph	Ft.	Ft.	
SBN 64-2	4	4	27000	30	230/460	68.4/34.2	Three	285	17	127



Project	Project ID	Created by	Created on	Last update
---------	------------	------------	------------	-------------



Parts and Materials

Vertical Multistage Pump Nema - SBN 64-2

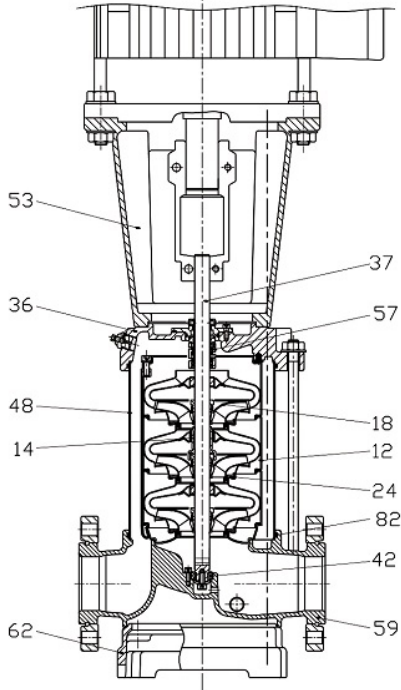
Revision no.

Page:
 3

Receiver

From

Company name
 Respons. Department
 Person in charge
 Phone number
 Fax no
 E-mail address



Parts List	Material	Standard
36 Pump Head	Stainless Steel	AISI 316
53 Motor Bracket	Cast Iron	ASTM 35B
18 Impeller	Stainless Steel	AISI 316
37 Shaft	Stainless Steel	AISI 316
48 Outer Sleeve	Stainless Steel	AISI 316
82 O-ring for Outer Sleeve	EPDM	
12 Chamber	Stainless Steel	AISI 316
24 Neck Ring	Carbon Fiber + POB + PTFE	
59 Base	Stainless Steel	AISI 316
62 Base Plate	Cast Iron	ASTM 35B
57 Mechanical Seal	Cartridge Type	
14 Bearing Ring	POB + Graphite + PTFE	
42 Bottom Bearing Ring	Tungsten Carbide	

Project	Project ID	Created by	Created on	Last update
---------	------------	------------	------------	-------------



Technical Data - Motor

Vertical Multistage Pump Nema - SBN 64-2

Revision no. _____

Page: 4

Receiver _____ From _____

Company name _____
 Respons. Department _____
 Person in charge _____
 Phone number _____
 Fax no _____
 E-mail address _____

Product line : W22 NEMA Premium Efficiency Three-Phase Product code : 13472721
 Catalog # : 03036ET3ER286TSC-W22

Frame : 286TSC
 Output : 30 HP (22 kW)
 Poles : 2
 Frequency : 60 Hz
 Rated voltage : 230/460 V
 Rated current : 68.4/34.2 A
 L. R. Amperes : 431/216 A
 LRC : 6.3x(Code G)
 No load current : 18.2/9.10 A
 Rated speed : 3545 rpm
 Slip : 1.53 %
 Rated torque : 44.4 ft.lb
 Locked rotor torque : 200 %
 Breakdown torque : 250 %
 Insulation class : F
 Service factor : 1.25
 Moment of inertia (J) : 3.37 sq.ft.lb
 Design : B

Locked rotor time : 27s (cold) 15s (hot)
 Temperature rise : 80 K
 Duty cycle : Cont.(S1)
 Ambient temperature : -20°C to +40°C
 Altitude : 1000 m.a.s.l.
 Protection degree : IP55
 Cooling method : IC411 - TEFC
 Mounting : W-6
 Rotation¹ : Both (CW and CCW)
 Noise level² : 72.0 dB(A)
 Starting method : Direct On Line
 Approx. weight³ : 389 lb

Output	25%	50%	75%	100%
Efficiency (%)	91.6	91.7	91.7	91.7
Power Factor	0.57	0.80	0.86	0.88

Foundation loads
 Max. traction : 367 lb
 Max. compression : 756 lb

Losses at normative operating points (speed;torque), in percentage of rated output power

P1 (0,9;1,0)	P2 (0,5;1,0)	P3 (0,25;1,0)	P4 (0,9;0,5)	P5 (0,5;0,5)	P6 (0,5;0,25)	P7 (0,25;0,25)
8.5	6.5	5.6	4.3	2.5	1.6	0.9

	Drive end	Non drive end
Bearing type	: 6311 C3	: 6211 C3
Sealing	: V'Ring	: V'Ring
Lubrication interval	: 7000 h	: 8000 h
Lubricant amount	: 18 g	: 11 g
Lubricant type	: Mobil Polyrex EM	

Notes:
 USABLE @208V 76.7A SF 1.10 SFA 84.4A

This revision replaces and cancel the previous one, which must be eliminated.
 (1) Looking the motor from the shaft end.
 (2) Measured at 1m and with tolerance of +3dB(A).
 (3) Approximate weight subject to changes after manufacturing process.
 (4) At 100% of full load.

These are average values based on tests with sinusoidal power supply, subject to the tolerances stipulated in NEMA MG-1.

Project	Project ID	Created by	Created on	Last update



Dimensions and Nameplate

Vertical Multistage Pump Nema - SBN 64-2

Revision no. _____

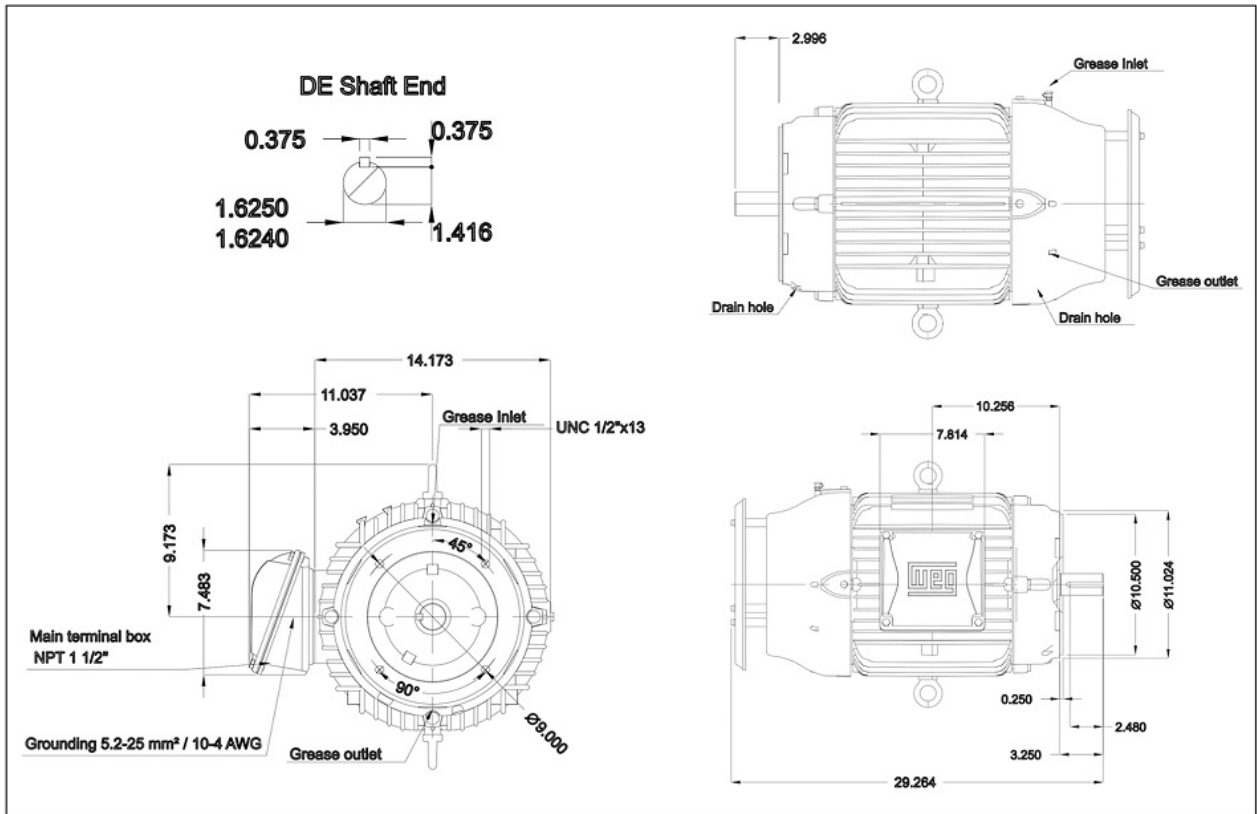
Page: 5

Receiver _____

From _____

Company name _____
 Respons. Department _____
 Person in charge _____
 Phone number _____
 Fax no _____
 E-mail address _____

Motor Dimensions:



Motor Nameplate:



MODEL 03036ET3SR286TSC-W22



FOR SAFE AREA
 Mod. TETIFOXON
 C0029A

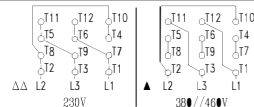


For use on 60Hz
 Class I, Div 2, Gr. A, B, C and D - T3
 Class I, Zone 2, IIC - T3
 Class II, Div 2, Gr. F and G - T4
 For use on PWM: Gr. A, B, C, D and F,
 VT 1000:1, CT 20:1, 1.00SF - TSA

MADE IN BRAZIL
 13472721

Inverter Duty Motor
 Severe Duty
 PH3 60Hz Fr. 286TSC 1000m.a.s.l. IP55 TEFC 3891b
 V 230/460 A 68.4/34.2
 HP 30 kW 22
 SF 1.25 SFA 85.5/42.8
 RPM 3545 PF 0.88
 AMB 40°C INS cl. F DT80K NEMA NOM EFF 91.7%
 DUTY CONT. DES B Code G

30HP 22kW 50Hz 380V 42.0A 2910RPM SF 1.00 EFF 89.5%



- 6311-C3 (18g)
- 6211-C3 (11g)
- MOBIL POLYREX EM (7000h)

Project	Project ID	Created by	Created on	Last update
---------	------------	------------	------------	-------------