



## Technical Data - Pump

### Vertical Multistage Pump Nema - SBN 90-2-2

Revision no.

Page:  
1

Receiver

From

Company name  
Respons. Department  
Person in charge  
Phone number  
Fax no  
E-mail address



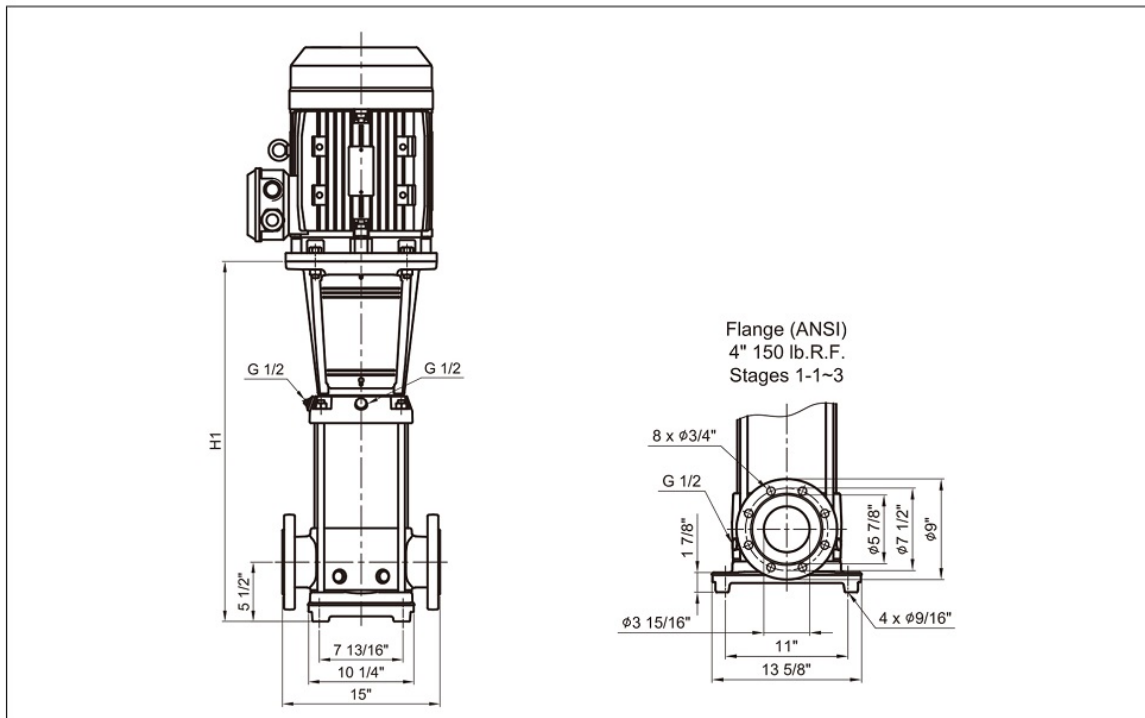


**Pump Brand: Gol Pumps**  
**Model: SBN 90-2-2**

**Motor Brand: WEG**  
**Model: 02536ET3ER284TSC-W22**



### Pump Dimensions:



Pump Installation Size (inch)				
ANSI Flange	Port Size		NEMA Frame TEFC motors	Net Weight
	DNA	DNM		Lb.
H1	4	4	284TSC	172.6

Project	Project ID	Created by	Created on	Last update
---------	------------	------------	------------	-------------



# Performance Curves

## Vertical Multistage Pump Nema - SBN 90-2-2

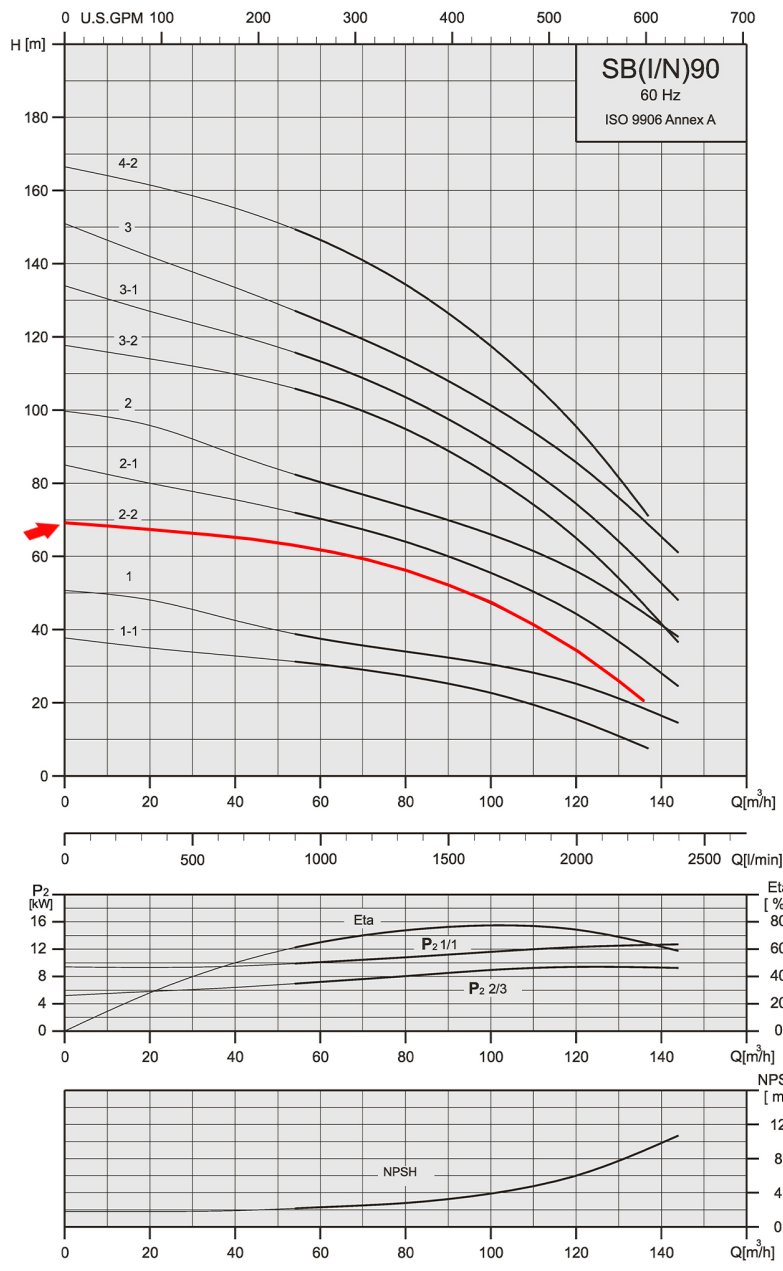
Revision no. \_\_\_\_\_

Page: 2

Receiver	From

Company name  
 Respons. Department  
 Person in charge  
 Phone number  
 Fax no  
 E-mail address

Model	Port Size (in.)		Flow	HP	Volts	Amps	Phase	Max. Head	Max. Suction	Max. PSI
	DNA	DNM	GPH		V	I Max.	Ph	Ft.	Ft.	
<b>SBN 90-2-2</b>	4	4	36000	25	230/460	57.5/28.8	Three	229	17	101.5



Project	Project ID	Created by	Created on	Last update
---------	------------	------------	------------	-------------



# Parts and Materials

## Vertical Multistage Pump Nema - SBN 90-2-2

Revision no.

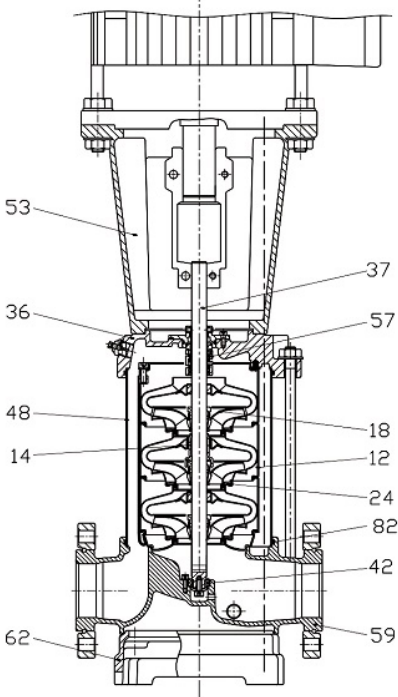
Page:  
 3

Receiver

From

Company name  
 Respons. Department  
 Person in charge  
 Phone number  
 Fax no  
 E-mail address





Parts List	Material	Standard
36 Pump Head	Stainless Steel	AISI 316
53 Motor Bracket	Cast Iron	ASTM 35B
18 Impeller	Stainless Steel	AISI 316
37 Shaft	Stainless Steel	AISI 316
48 Outer Sleeve	Stainless Steel	AISI 316
82 O-ring for Outer Sleeve	EPDM	
12 Chamber	Stainless Steel	AISI 316
24 Neck Ring	Carbon Fiber + POB + PTFE	
59 Base	Stainless Steel	AISI 316
62 Base Plate	Cast Iron	ASTM 35B
57 Mechanical Seal	Cartridge Type	
14 Bearing Ring	POB + Graphite + PTFE	
42 Bottom Bearing Ring	Tungsten Carbide	

Project	Project ID	Created by	Created on	Last update
---------	------------	------------	------------	-------------



## Technical Data - Motor

### Vertical Multistage Pump Nema - SBN 90-2-2

Revision no.

Page:  
4

Receiver	From
----------	------

Company name  
 Respons. Department  
 Person in charge  
 Phone number  
 Fax no  
 E-mail address


Product line : W22 NEMA Premium Efficiency Three-Phase      Product code : 13472720  
 Catalog # : 02536ET3ER284TSC-W22

Frame : 284TSC  
 Output : 25 HP (18.5 kW)  
 Poles : 2  
 Frequency : 60 Hz  
 Rated voltage : 230/460 V  
 Rated current : 57.5/28.8 A  
 L. R. Amperes : 363/181 A  
 LRC : 6.3x(Code G)  
 No load current : 16.3/8.15 A  
 Rated speed : 3545 rpm  
 Slip : 1.53 %  
 Rated torque : 37.0 ft.lb  
 Locked rotor torque : 200 %  
 Breakdown torque : 250 %  
 Insulation class : F  
 Service factor : 1.25  
 Moment of inertia (J) : 2.69 sq.ft.lb  
 Design : B

Locked rotor time : 30s (cold) 17s (hot)  
 Temperature rise : 80 K  
 Duty cycle : Cont.(S1)  
 Ambient temperature : -20°C to +40°C  
 Altitude : 1000 m.a.s.l.  
 Protection degree : IP55  
 Cooling method : IC411 - TEFC  
 Mounting : W-6  
 Rotation<sup>1</sup> : Both (CW and CCW)  
 Noise level<sup>2</sup> : 72.0 dB(A)  
 Starting method : Direct On Line  
 Approx. weight<sup>3</sup> : 366 lb

Output	25%	50%	75%	100%
Efficiency (%)	90.8	91.0	91.7	91.7
Power Factor	0.54	0.78	0.85	0.88

Foundation loads  
 Max. traction : 284 lb  
 Max. compression : 650 lb

Losses at normative operating points (speed;torque), in percentage of rated output power

P1 (0,9;1,0)	P2 (0,5;1,0)	P3 (0,25;1,0)	P4 (0,9;0,5)	P5 (0,5;0,5)	P6 (0,5;0,25)	P7 (0,25;0,25)
8.1	5.6	4.9	4.8	2.5	1.7	0.9

	<u>Drive end</u>	<u>Non drive end</u>
Bearing type :	6311 C3	6211 C3
Sealing :	V'Ring	V'Ring
Lubrication interval :	7000 h	8000 h
Lubricant amount :	18 g	11 g
Lubricant type :	Mobil Polyrex EM	

Notes:  
 USABLE @208V 63.0A SF 1.10 SFA 69.3A

This revision replaces and cancel the previous one, which must be eliminated.

- (1) Looking the motor from the shaft end.
- (2) Measured at 1m and with tolerance of +3dB(A).
- (3) Approximate weight subject to changes after manufacturing process.
- (4) At 100% of full load.

These are average values based on tests with sinusoidal power supply, subject to the tolerances stipulated in NEMA MG-1.

Project	Project ID	Created by	Created on	Last update
---------	------------	------------	------------	-------------



# Dimensions and Nameplate

## Vertical Multistage Pump Nema - SBN 90-2-2

Revision no.

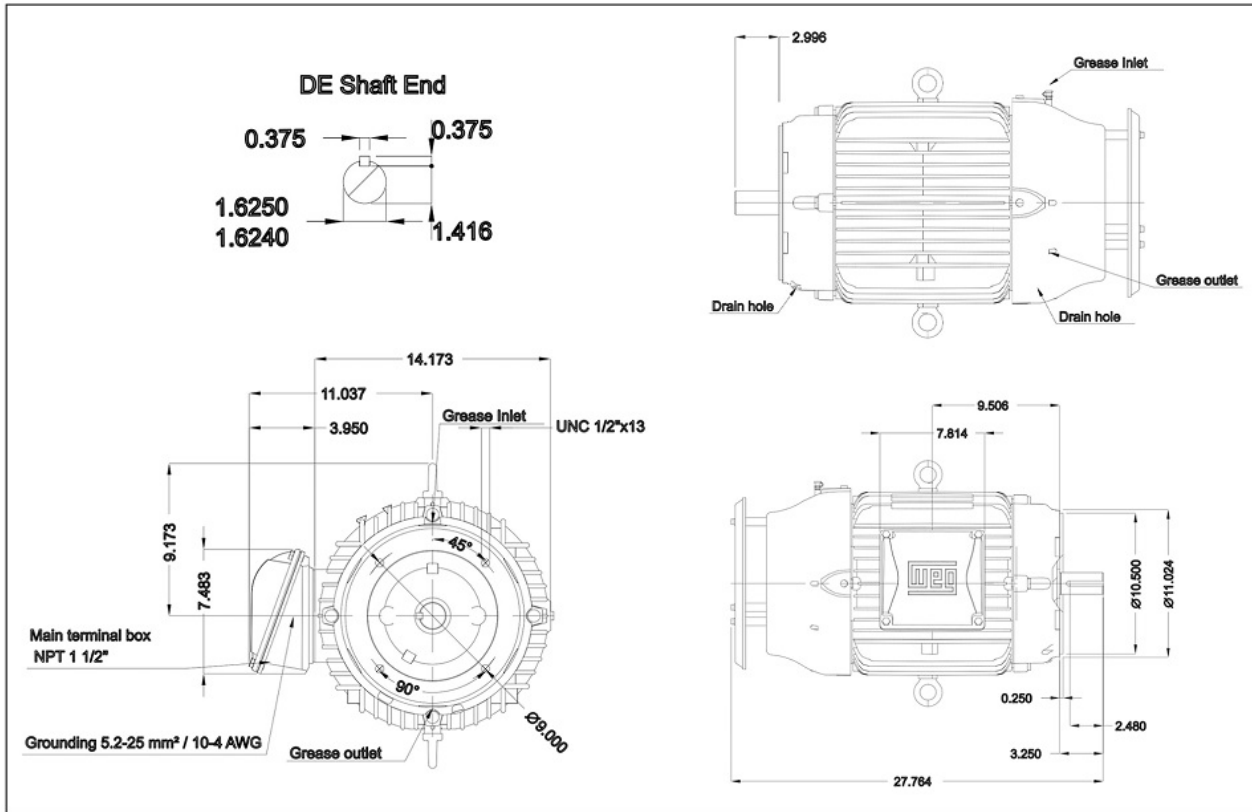
Page:  
5

Receiver

From

Company name  
Respons. Department  
Person in charge  
Phone number  
Fax no  
E-mail address

### Motor Dimensions:



### Motor Nameplate:



MODEL 02536ET3ER284TSC-W22

MADE IN BRAZIL  
13472720

Inverter Duty Motor  
Severe Duty  
PH3 60Hz Fr. 284TSC 1000m.a.s.l. IP55 TEFC 366lb  
V 230/460 A 57.5/28.8  
HP 25 kW 18.5  
SF 1.25 SFA 71.9/36.0  
RPM 3545 PF 0.88  
AMB 40°C INS cl. F DT80K NEMA NOM EFF 91.7%  
DUTY CONT. DES B Code G

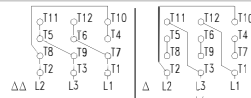
25HP 18.5kW 50Hz 380V 35.3A 2915RPM SF 1.00 EFF 89.5% (IE1)



FOR SAFE AREA  
Mod. TE16FOXON  
CC029A



For use on 60Hz  
Class I, Div 2, Gr A, B, C and D - T3  
Class I, Zone 2, IIC - T3  
Class II, Div 2, Gr F and G - T4  
For use on PWM: Gr. A, B, C, D and F,  
VT 1000:1, CT 20:1, 1.00SF - 13A



→ 6311-C3 (18g)

→ 6211-C3 (11g)

MOBIL POLYREX EM (7000h)

Project

Project ID

Created by

Created on

Last update