



Technical Data - Pump

Vertical Multistage Pump Nema - SBN 90-3-1

Revision no.

Page:
1

Receiver

From

Company name
 Respons. Department
 Person in charge
 Phone number
 Fax no
 E-mail address

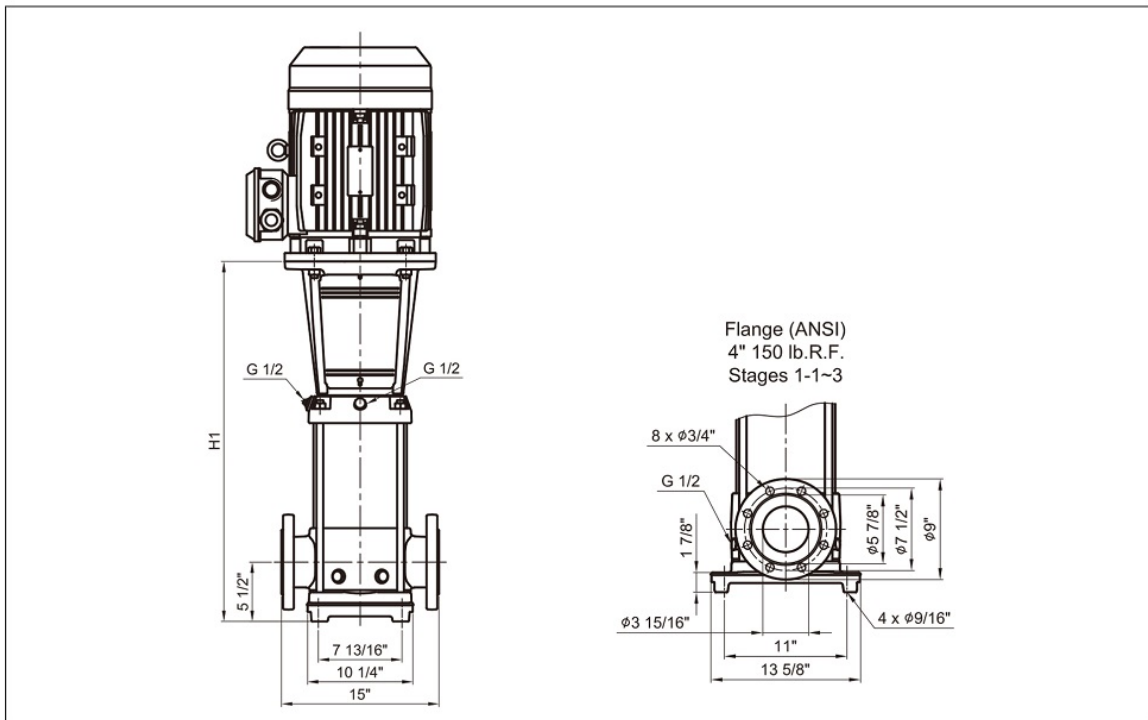


Pump Brand: Gol Pumps
Model: SBN 90-3-1

Motor Brand: WEG
Model: 05036ET3E326TSC-W22



Pump Dimensions:



Pump Installation Size (inch)				
ANSI Flange	Port Size		NEMA Frame TEFC motors	Net Weight
	DNA	DNM		Lb.
H1	4	4	324/6TSC	201.3

Project	Project ID	Created by	Created on	Last update
---------	------------	------------	------------	-------------



Performance Curves

Vertical Multistage Pump Nema - SBN 90-3-1

Revision no.

Page:
2

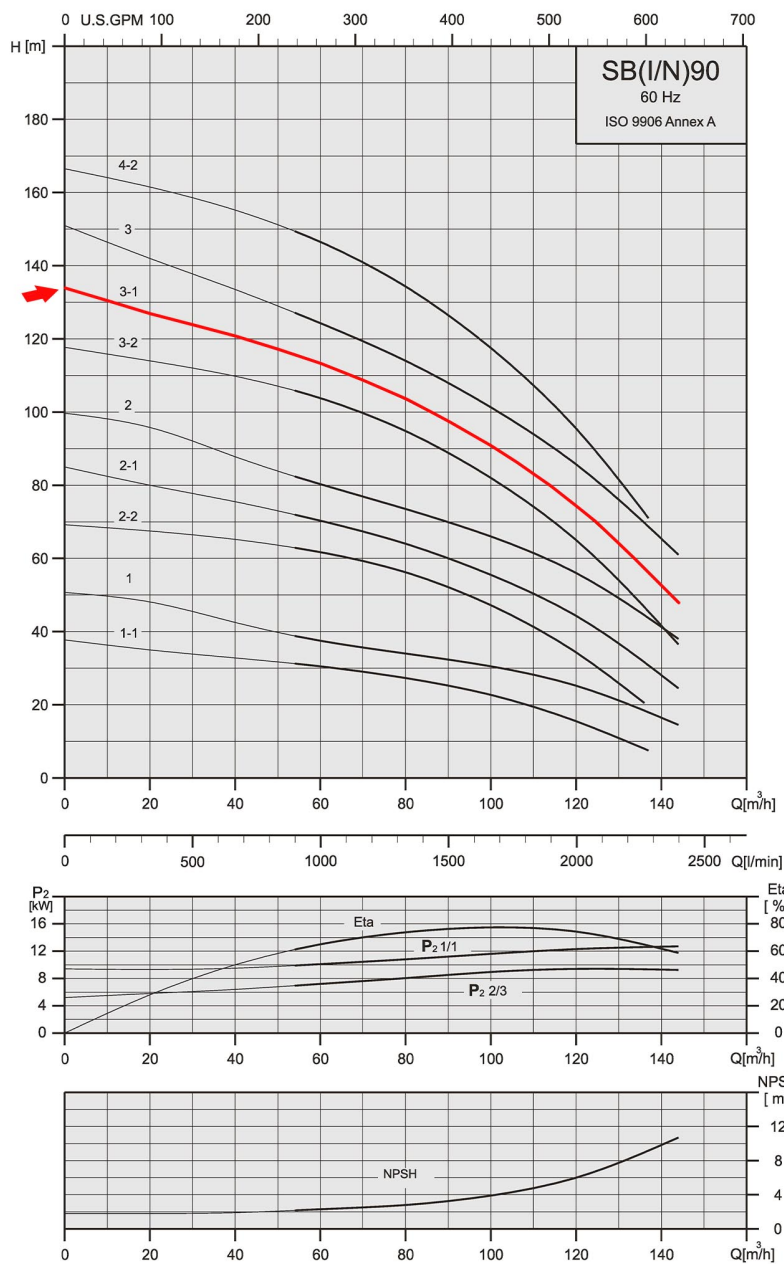
Receiver

From

Company name
Respons. Department
Person in charge
Phone number
Fax no
E-mail address

--	--

Model	Port Size (in.)		Flow	HP	Volts	Amps	Phase	Max. Head	Max. Suction	Max. PSI
	DNA	DNM	GPH		V	I Max.	Ph	Ft.	Ft.	
SBN 90-3-1	4	4	38400	50	230/460	112/56.1	Three	440	17	195



Project	Project ID	Created by	Created on	Last update
---------	------------	------------	------------	-------------

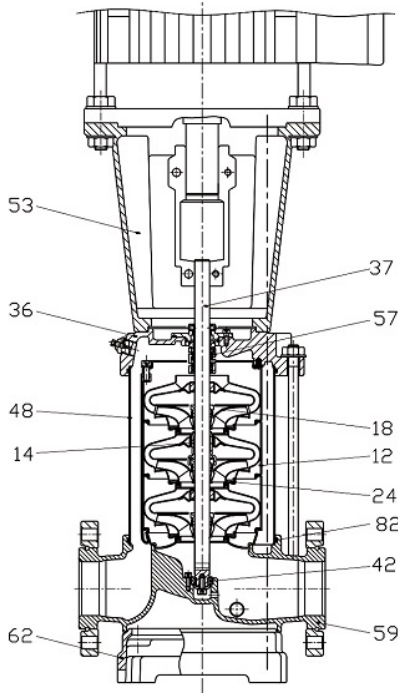


Parts and Materials

Vertical Multistage Pump Nema - SBN 90-3-1

Revision no. Page: 3

	Receiver	From
Company name		
Respons. Department		
Person in charge		
Phone number		
Fax no		
E-mail address		



	Parts List	Material	Standard
36	Pump Head	Stainless Steel	AISI 316
53	Motor Bracket	Cast Iron	ASTM 35B
18	Impeller	Stainless Steel	AISI 316
37	Shaft	Stainless Steel	AISI 316
48	Outer Sleeve	Stainless Steel	AISI 316
82	O-ring for Outer Sleeve	EPDM	
12	Chamber	Stainless Steel	AISI 316
24	Neck Ring	Carbon Fiber + POB + PTFE	
59	Base	Stainless Steel	AISI 316
62	Base Plate	Cast Iron	ASTM 35B
57	Mechanical Seal	Cartridge Type	
14	Bearing Ring	POB + Graphite + PTFE	
42	Bottom Bearing Ring	Tungsten Carbide	

Project	Project ID	Created by	Created on	Last update
---------	------------	------------	------------	-------------



Technical Data - Motor

Vertical Multistage Pump Nema - SBN 90-3-1

Revision no. _____

Page: 4

Receiver _____

From _____

Company name _____
 Respons. Department _____
 Person in charge _____
 Phone number _____
 Fax no _____
 E-mail address _____

Product line : W22 NEMA Premium Efficiency Three-Phase Product code : 11440690
 Catalog # : 05036ET3E326TSC-W22

Frame : 324/6TSC
 Output : 50 HP (37 kW)
 Poles : 2
 Frequency : 60 Hz
 Rated voltage : 230/460 V
 Rated current : 112/56.1 A
 L. R. Amperes : 707/353 A
 LRC : 6.3x(Code G)
 No load current : 28.0/14.0 A
 Rated speed : 3560 rpm
 Slip : 1.11 %
 Rated torque : 73.8 ft.lb
 Locked rotor torque : 240 %
 Breakdown torque : 240 %
 Insulation class : F
 Service factor : 1.25
 Moment of inertia (J) : 5.75 sq.ft.lb
 Design : B

Locked rotor time : 36s (cold) 20s (hot)
 Temperature rise : 80 K
 Duty cycle : Cont.(S1)
 Ambient temperature : -20°C to +40°C
 Altitude : 1000 m.a.s.l.
 Protection degree : IP55
 Cooling method : IC411 - TEFC
 Mounting : F-1
 Rotation¹ : Both (CW and CCW)
 Noise level² : 76.0 dB(A)
 Starting method : Direct On Line
 Approx. weight³ : 559 lb

Output	25%	50%	75%	100%
Efficiency (%)	0.000	93.0	93.0	93.0
Power Factor	0.00	0.81	0.87	0.89

Foundation loads
 Max. traction : 471 lb
 Max. compression : 1030 lb

Losses at normative operating points (speed;torque), in percentage of rated output power

P1 (0,9;1,0)	P2 (0,5;1,0)	P3 (0,25;1,0)	P4 (0,9;0,5)	P5 (0,5;0,5)	P6 (0,5;0,25)	P7 (0,25;0,25)
6.8	4.4	3.5	4.1	2.0	1.5	0.7

	Drive end	Non drive end
Bearing type	: 6312 C3	: 6212 C3
Sealing	: V'Ring	: V'Ring
Lubrication interval	: 12000 h	: 15000 h
Lubricant amount	: 21 g	: 13 g
Lubricant type	: Mobil Polyrex EM	

Notes
 USABLE @208V 124A SF 1.10 SFA 136A

This revision replaces and cancel the previous one, which must be eliminated.
 (1) Looking the motor from the shaft end.
 (2) Measured at 1m and with tolerance of +3dB(A).
 (3) Approximate weight subject to changes after manufacturing process.
 (4) At 100% of full load.

These are average values based on tests with sinusoidal power supply, subject to the tolerances stipulated in NEMA MG-1.

Project	Project ID	Created by	Created on	Last update



Dimensions and Nameplate

Vertical Multistage Pump Nema - SBN 90-3-1

Revision no.

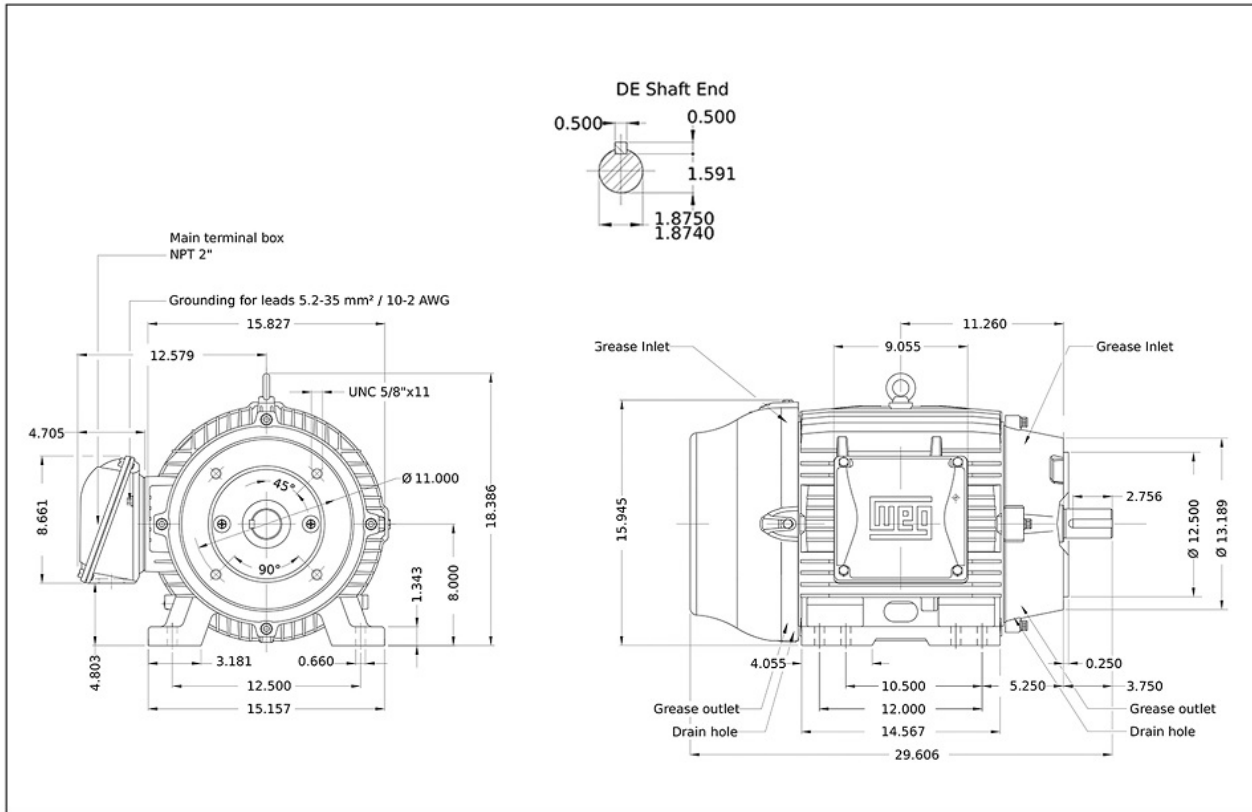
 Page:
5

Receiver

From

 Company name
 Respons. Department
 Person in charge
 Phone number
 Fax no
 E-mail address

Motor Dimensions:



Motor Nameplate:

MODEL 05036E13E326TSC-W22 MADE IN MEXICO 11440690			3PT9 US LISTED		FOR SAFE AREA MOD.TE1BF0XON		For 60Hz: Class I, Div 2, Gr. A, B, C and D - T3 Class I, Zone 2, IIC - T3 Class II, Div 2, Gr. F and G - T4 For 60Hz use on PWM, Gr. A, B, C, D and F,			
	W22 NEMA CC029A Premium Inverter Duty Motor Severe Duty		US LISTED		FOR SAFE AREA MOD.TE1BF0XON		For 60Hz use on PWM, Gr. A, B, C, D and F,			
	PH 3	FR 324/6TSC	HP(kw) 50.0(37.0)	Hz 60						
	V 230/460	A 112/56.1	RPM 3550	DES B		Δ L2 L3 L1 230V		Δ L2 L3 L1 460/380V		
	NEMA NOM EFF 93.0	%	INS. CL. F	ΔT 80 K	IP55		→ 6312-C3 → 6212-C3		MOBIL POLYREX EM 21 g 12000 h	
	ENCL TEFC	DUTY CONT.	AMB. 40°C		CODE F PF 0.89 SF 1.25 SFA 140/70.1					
50HP 37kW 50Hz 380V 69.4A 2935RPM SF1.00 EFF 91.0%		ALT 1000	m.a.s.l.		591 Lbs					

Project

Project ID

Created by

Created on

Last update