



Technical Data - Pump

Vertical Multistage Pump Nema - SBN 90-4-2

Revision no.

Page:
 1

Receiver	From

Company name
 Respons. Department
 Person in charge
 Phone number
 Fax no
 E-mail address

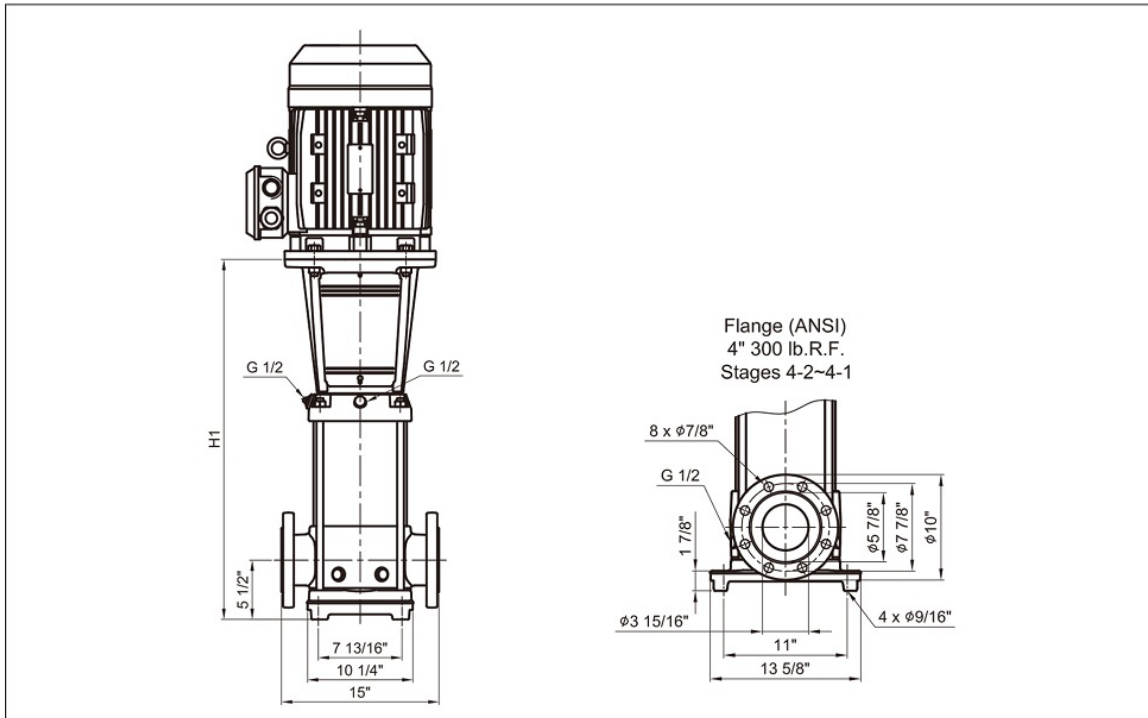


Pump Brand: Gol Pumps
Model: SBN 90-4-2

Motor Brand: WEG
Model: 06036ET3E364TSC-W22



Pump Dimensions:



Pump Installation Size (inch)				
ANSI Flange	Port Size		NEMA Frame TEFC motors	Net Weight
	DNA	DNM		Lb.
H1	4	4	364/5TSC	216.2

Project	Project ID	Created by	Created on	Last update
---------	------------	------------	------------	-------------



Performance Curves

Vertical Multistage Pump Nema - SBN 90-4-2

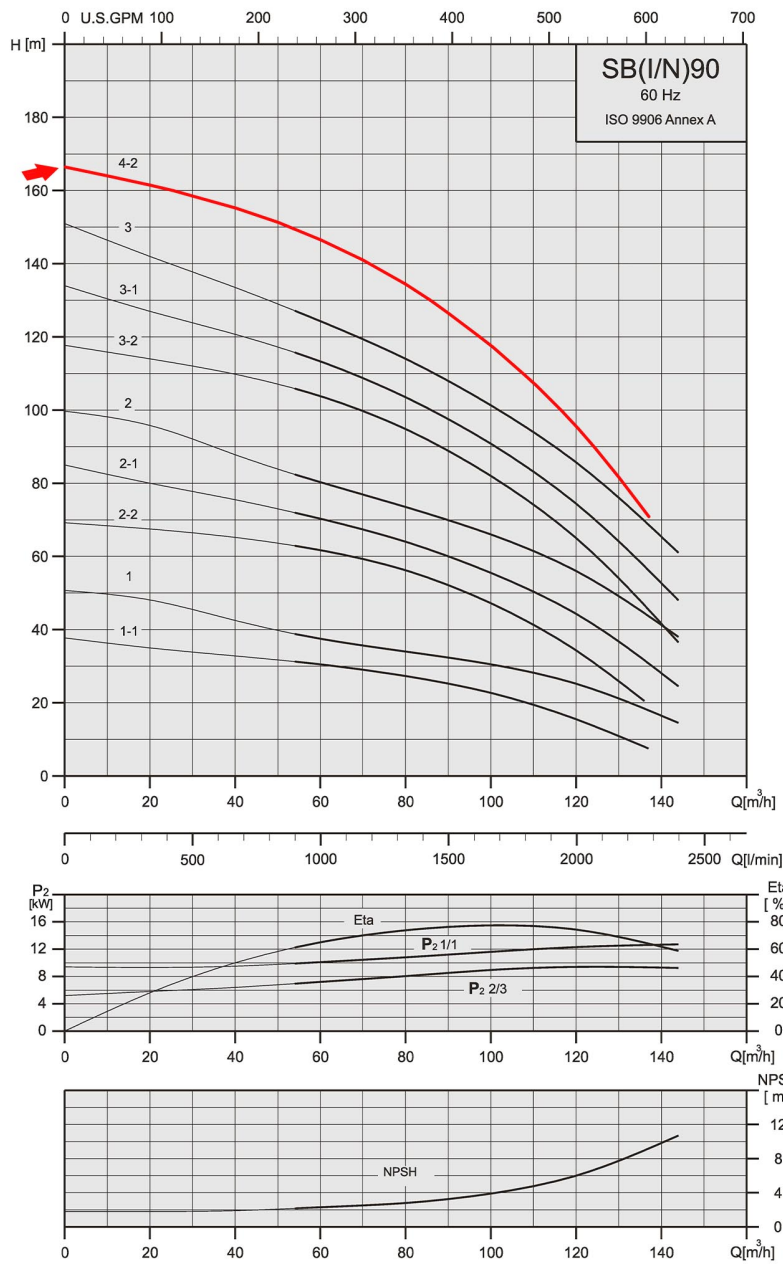
Revision no.

Page:
 2

Receiver _____ From _____

Company name _____
 Respons. Department _____
 Person in charge _____
 Phone number _____
 Fax no _____
 E-mail address _____

Model	Port Size (in.)		Flow	HP	Volts	Amps	Phase	Max. Head	Max. Suction	Max. PSI
	DNA	DNM	GPH		V	I Max.	Ph	Ft.	Ft.	
SBN 90-4-2	4	4	36000	60	230/460	134/67	Three	545	17	240



Project _____	Project ID _____	Created by _____	Created on _____	Last update _____
---------------	------------------	------------------	------------------	-------------------



Parts and Materials

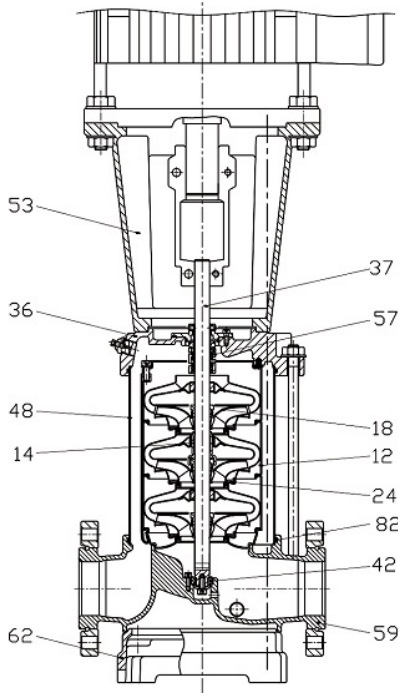
Vertical Multistage Pump Nema - SBN 90-4-2

Revision no. _____
Page: 3

Receiver

From

Company name
Respons. Department
Person in charge
Phone number
Fax no
E-mail address



Parts List	Material	Standard
36 Pump Head	Stainless Steel	AISI 316
53 Motor Bracket	Cast Iron	ASTM 35B
18 Impeller	Stainless Steel	AISI 316
37 Shaft	Stainless Steel	AISI 316
48 Outer Sleeve	Stainless Steel	AISI 316
82 O-ring for Outer Sleeve	EPDM	
12 Chamber	Stainless Steel	AISI 316
24 Neck Ring	Carbon Fiber + POB + PTFE	
59 Base	Stainless Steel	AISI 316
62 Base Plate	Cast Iron	ASTM 35B
57 Mechanical Seal	Cartridge Type	
14 Bearing Ring	POB + Graphite + PTFE	
42 Bottom Bearing Ring	Tungsten Carbide	

Project	Project ID	Created by	Created on	Last update
---------	------------	------------	------------	-------------



Technical Data - Motor

Vertical Multistage Pump Nema - SBN 90-4-2

Revision no. _____
Page: 4

	Receiver	From
Company name		
Respons. Department		
Person in charge		
Phone number		
Fax no		
E-mail address		

Product line : W22 NEMA Premium Efficiency Three-Phase Product code : 12275877
 Catalog # : 06036ET3E364TSC-W22

Frame	: 364/5TSC	Cooling method	: IC411 - TEFC
Insulation class	: F	Mounting	: F-1
Duty cycle	: Cont.(S1)	Rotation ¹	: Both (CW and CCW)
Ambient temperature	: -20°C to +40°C	Starting method	: Direct On Line
Altitude	: 1000 m.a.s.l.	Approx. weight ³	: 876 lb
Protection degree	: IP55	Moment of inertia (J)	: 10.6 sq.ft.lb
Design	: B		

Output [HP]	60	50	
Poles	2	2	
Frequency [Hz]	60	50	
Rated voltage [V]	230/460	380	
Rated current [A]	134/67.0	67.4	
L. R. Amperes [A]	884/442	431	
LRC [A]	6.6x(Code G)	6.4x(Code G)	
No load current [A]	32.0/16.0	15.8	
Rated speed [RPM]	3555	2955	
Slip [%]	1.25	1.50	
Rated torque [ft.lb]	88.6	88.9	
Locked rotor torque [%]	200	190	
Breakdown torque [%]	260	250	
Service factor	1.25	1.00	
Temperature rise	80 K	80 K	
Locked rotor time	25s (cold) 14s (hot)	21s (cold) 12s (hot)	
Noise level ²	79.0 dB(A)	74.0 dB(A)	
Efficiency (%)	25%	91.0	91.1
	50%	91.7	92.1
	75%	93.0	92.8
	100%	93.6	93.7
Power Factor	25%	0.59	0.60
	50%	0.81	0.81
	75%	0.88	0.88
	100%	0.90	0.89

Losses at normative operating points (speed;torque), in percentage of rated output power

Losses (%)	P1 (0,9;1,0)	6.3	6.3
	P2 (0,5;1,0)	4.7	4.7
	P3 (0,25;1,0)	4.4	4.4
	P4 (0,9;0,5)	3.3	3.3
	P5 (0,5;0,5)	1.7	1.7
	P6 (0,5;0,25)	1.1	1.1
	P7 (0,25;0,25)	0.6	0.6

	<u>Drive end</u>	<u>Non drive end</u>		Foundation loads		
	Bearing type	: 6314 C3		: 6314 C3	Max. traction	: 476 lb
	Sealing	: WSeal		: WSeal	Max. compression	: 1352 lb
	Lubrication interval	: 4000 h		: 4000 h		
	Lubricant amount	: 27 g		: 27 g		
	Lubricant type	: Mobil Polyrex EM				

This revision replaces and cancel the previous one, which must be eliminated.
 (1) Looking the motor from the shaft end.
 (2) Measured at 1m and with tolerance of +3dB(A).

These are average values based on tests with sinusoidal power supply, subject to the tolerances stipulated in NEMA MG-1.

Project	Project ID	Created by	Created on	Last update



Dimensions and Nameplate

Vertical Multistage Pump Nema - SBN 90-4-2

Revision no. _____

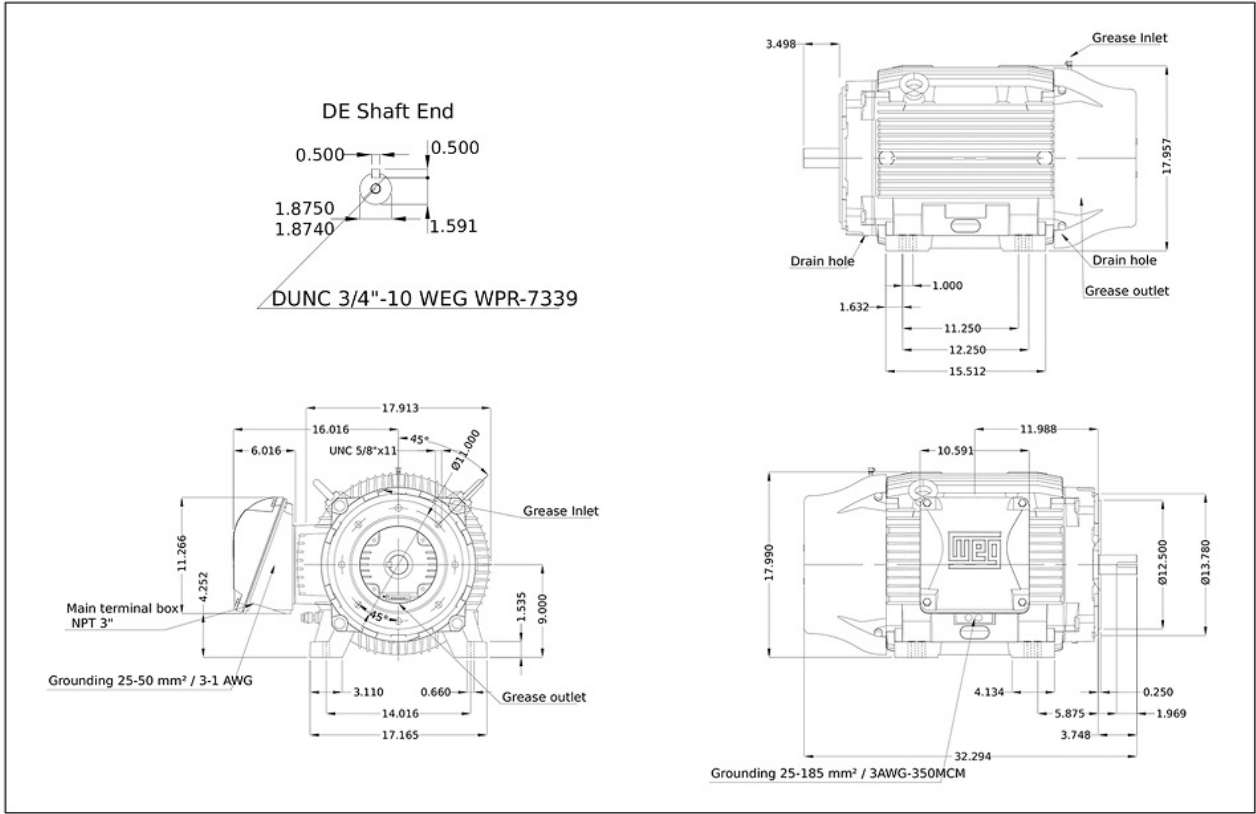
Page: 5

Company name
 Respons. Department
 Person in charge
 Phone number
 Fax no
 E-mail address

Receiver

From

Motor Dimensions:



Motor Nameplate:



MODEL 06036ET3E364TSC-W22

MADE IN MEXICO
12275877

Inverter Duty Motor
 Severe Duty

PH3 60Hz Fr. 364/5TSC 1000m.a.s.l. IP55 TEFC 876lb
 V 230/460 A 134/67.0
 HP 60 kW 45
 SF 1.25 SFA 168/83.8
 RPM 3555 PF 0.90
 AMB 40°C INS cl. F DT80K NEMA NOM EFF 93.6%
 DUTY CONT. DES B Code G

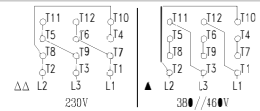
60HP 45kW 50Hz 380V 83.1A 2935RPM SF 1.00 EFF 92.4% (IE1)



FOR SAFE AREA
 Mod.TE16FOXON
 CC029A



For use on 60Hz
 Class I, Div 2, Gr A, B, C and D - T3
 Class I, Zone 2, IC - T3
 Class II, Div 2, Gr F and G - T4
 For use on PWM: Gr. A, B, C, D and F,
 VT 1000-1, CT 20-1, 1.00SF - 13A



6314-C3 (27g)
 6314-C3 (27g)

MOBIL POLYREX E.M (4000h)

Project	Project ID	Created by	Created on	Last update
---------	------------	------------	------------	-------------