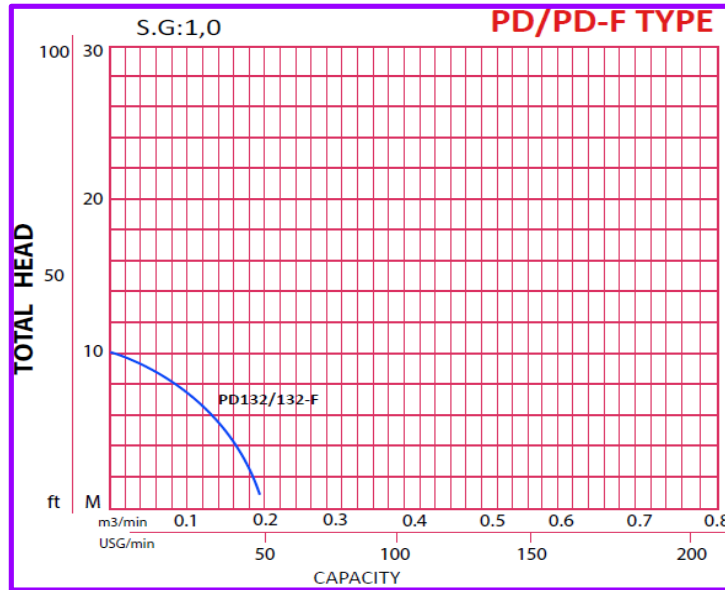


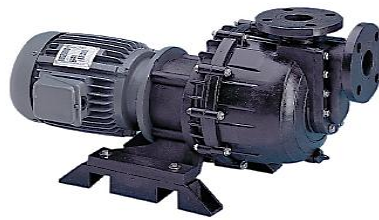
Pump Data

Brand : Gol Pump
Model : GPD - 132
Head Rate : 11 FEET Flow Rate: 13 GPM
Head Max: 33 FEET Flow Max: 50 GPM
Head Min: 6 FEET Flow Min : 5 GPM
RPM : 3450 rpm
Normal Power P1 : 1 HP
Fluid: Water
Fluid Temperature: at about 25 °C
Density: water 997 kg/m³
Fluid Viscosity: 8.90 × 10⁻⁴ Pa·s
With Float switch NONE
Self Priming Submersible
Delivery size 1.5" NPT
Suction size With Strainer
Made in : TAIWAN



Motor Data

Power P2: *
Power P1: 0.75 KW
Phase (PH): 3
Rate Voltage : 230V
Capacitor Need : * µF
Ferequency : 60 Hz
Rated Speed (rpm): 3450 rpm
Current (A): 3 A
Cos φ : 0.85
Degree of Protection (IP): IP 68
Safety Protection Included : *
length of Cable : * mm2×m
Kind of Plug : NONE
Ambient Temp : 40°C = 104°F



Other Pump Data

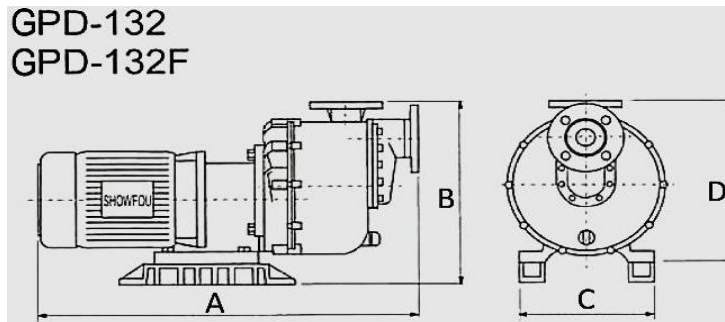
Impeller Size (mm) : *
Pressuer Rating : PN 16
Min. Fluid Temp : 0°C = 32° F
Max. Fluid Temp : 90°C = 194°F
Ambient Temp : 40°C = 104°F
Humidity % : 100%

Special Specification

Installation status : Ver
Variable frequency : NONE
Solid Passage 40 mm

Materials

Pump Body : Cast Iron
Support: FRPP
Impeller FRPP
Mechanical Seal: Teflon
Rubber NBR
Pump Shaft: SUS 304
Strainer FRPP
outer cover: Cast Iron
Motor: Cast Iron



Shaft Seal

Type: *
Stationary Part Ceramic
Rotating Part Carbon
Elastomer FRPP

Weight : 30 Kg
Standard Approve



Applicant:

Dimention in

mm

Wasted and Polluted Water Treatment PCB Electronic Paper Industry Leather

A 625

Industry Dyeing and Textile Surface Electric Plated Industry Chemical Engineering

B 374

Industry Medical and Pharmaceutical Industry and Food Industry High Temperature

C 265

and Chemical Liquid with Particles Can be used Limitedly such as Chemical Cuprem

D 325

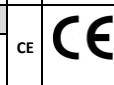
Pump and Motor specification optional

With Booster System None
With Complack None
Special Material None
Specail Voltage None



Protection system required

External Flout switch *
Minimum Starter Starter SWT



Patassium Manganate Plating Gold Liquid and non-Electrolytic Nickel Plating Solvents Etc.