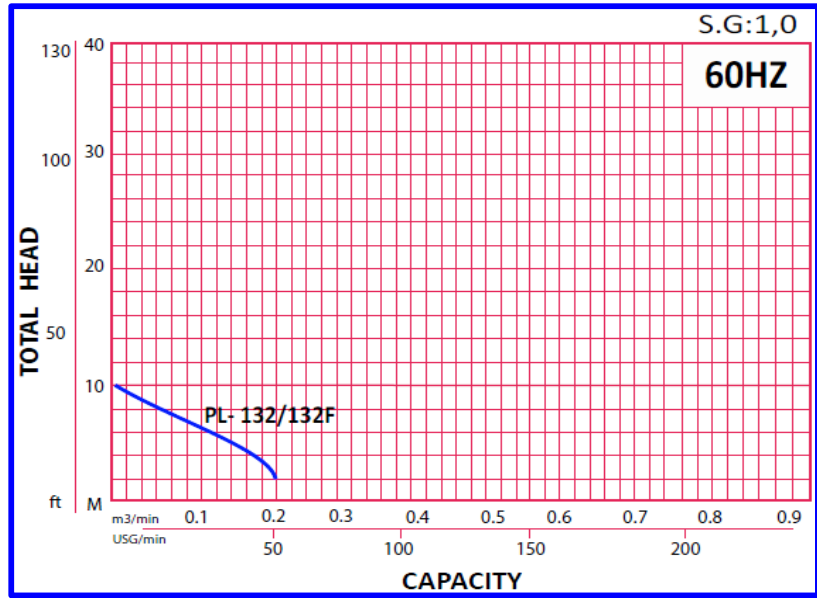


Pump Data

Brand : Gol Pump
 Model : GPL - 132
 Head Rate : 20 FEET Flow Rate: 32 GPM
 Head Max: 33 FEET Flow Max: 50 GPM
 Head Min: 6 FEET Flow Min : 5 GPM
 RPM : 3450 rpm
 Normal Power P1 : 1 HP
 Fluid: Water
 Fluid Temperature: at about 25 °C
 Density: water 997 kg/m³
 Fluid Viscosity: 8.90 × 10⁻⁴ Pa·s
 With Float switch: NONE
 Self Priming: Submersible
 Delivery size: 1 1/2" NPT
 Suction size: With Strainer
 Made in : TAIWAN



Motor Data

Power P2: *
 Power P1: 0.75 KW
 Phase (PH): 3
 Rate Voltage : 230/480 V
 Capacitor Need : * μF
 Ferequency : 60 Hz
 Rated Speed (rpm): 3450 rpm
 Current (A): 3 / 1 A
 Cos φ : 0.85
 Degree of Protection (IP): IP 68
 Safety Protection Included : *
 length of Cable : * mm2×m
 Kind of Plug : NONE
 Ambient Temp : 40°C = 104°F



Other Pump Data

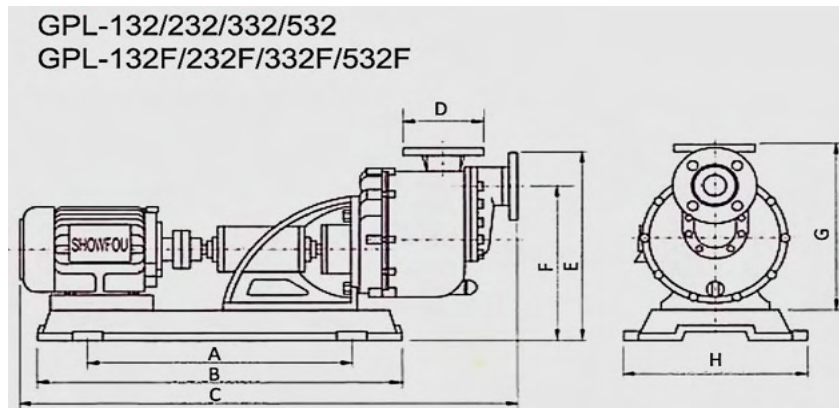
Impeller Size (mm) : *
 Pressuer Rating : PN 16
 Min. Fluid Temp : 0°C = 32° F
 Max. Fluid Temp : 90°C = 194°F
 Ambient Temp : 40°C = 104°F
 Humidity % : 100%

Special Specification

Installation status : Ver
 Variable frequency : NONE
 Solid Passage 40 mm

Materials

Pump Body : Cast Iron
 Support: FRPP
 Impeller: FRPP
 Mechanical Seal: Teflon
 Rubber: NBR
 Pump Shaft: SUS 304
 Strainer: FRPP
 outer cover: Cast Iron
 Motor: Cast Iron



Shaft Seal

Type: *
 Stationary Part: Ceramic
 Rotating Part: Carbon
 Elastomer: FRPP

Weight : 44 Kg

Standard Approve



Pump and Motor specification optional

With Booster System: None
 With Complack: None
 Special Material: None
 Speacil Voltage: None

Protection system required

External Flout switch: *
 Minimum Starter: Starter SWT

Applicant:

Wasted and Polluted Water Treatment PCB Electronic Industry Brick Kiln Industry Paper Industry Leather Dyeing and Texti le Surface Electric Plated Industry Chemical Engineering Industry Medical and Pharmaceutical Industry and Food Industry High Temperature and Chemical Liquid with Particles Can be used Limitedly such as Chemical Cuprem Patassium Manganate Plating Gold Liquid and non-Electrolytic Nickel Plating Solvents Etc.

Dimension in

mm

- A 520
- B 780
- C 1140
- D 156
- E 413
- F 326
- G 358
- H 390